

Parts Catalog

Armadillo 9X Sweeper Series

Models: 9X & 9XCE



PREFACE

Thank you for your purchase of the new industry standard for sweepers. PowerBoss® takes great pride in offering the most dependable, reliable, and best value in industrial power sweepers and scrubbers. We set the standard.

Our Customer Service Department would like to hear from you. If you see any errors, omissions or something that needs clarification in this Parts Catalog, please let us know. We are working hard towards continually improving our processes--to benefit you, our valued customer.

Please copy the form below, fill out and comment on how you found our manual.

Thank you!

The PowerBoss® Team

Name _____

Title: _____

Company Name: _____

Address: _____

Country: _____

Type of equipment or model number: _____

Comments: _____

Please return to:

Customer Service Manager
PowerBoss®, Minuteman International, Inc.
14N845 U.S. Route 20
Pingree Grove, Illinois 60140 USA

Phone: 800-323-9420

Email: tech@powerboss.com

This is the Parts Catalog for the PowerBoss® Armadillo 9X & 9XCE Sweeper Series.

This Catalog covers the Armadillo 9X & 9XCE machine variations beginning December 2014.

We believe this machine will provide excellent service for many years.

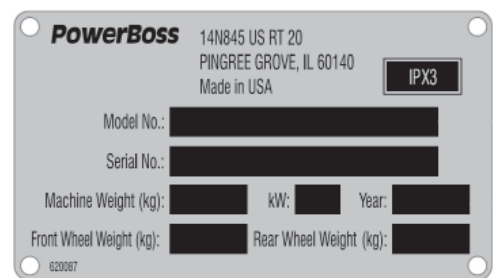
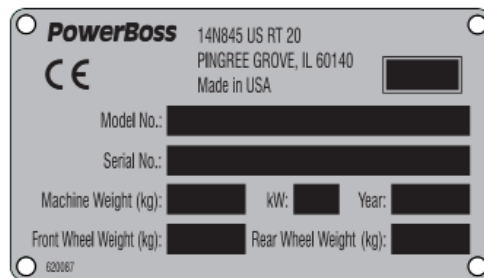
However, the best results will be obtained if:

- The machine is operated with reasonable care.
- The machine is maintained regularly per the maintenance schedule provided in the User Manual.
- The machine is maintained with PowerBoss® supplied or equivalent parts.

All right side and left side references to the machine (except for engine) are determined by facing the direction of forward travel. The front of the engine or engine fan faces the rear of the machine. Some hardware considered to be common or locally available has been omitted from the parts section to make this manual clear. Be sure to use equivalent hardware when replacement becomes necessary.

The Model and Serial Number of your machine is shown on the I.D. name plate. This information is needed when contacting Technical Support or when ordering parts. The I.D. plate is mounted on the console of the machine, left of the operator and adjacent the main broom adjustment access door.

Example I.D Plates:



Parts may be ordered by phone, fax, or email from any PowerBoss® parts and service center. Before ordering parts or supplies, be sure to have your machine model number and serial number handy. For your convenience Fill out the data block on the next page for future reference.

MACHINE DATA
Fill out at installation

Serial Number: _____

Engine Serial Number: _____

Sales Rep.: _____

Date of Install: _____

All information contained in this catalog is current at the time of printing. PowerBoss®, Minuteman International, Inc. reserves the right to make changes at any time without notice.

PowerBoss®, Minuteman International, Inc., Copyright 2014-2015, Printed in USA.

TECHNICAL SPECIFICATIONS

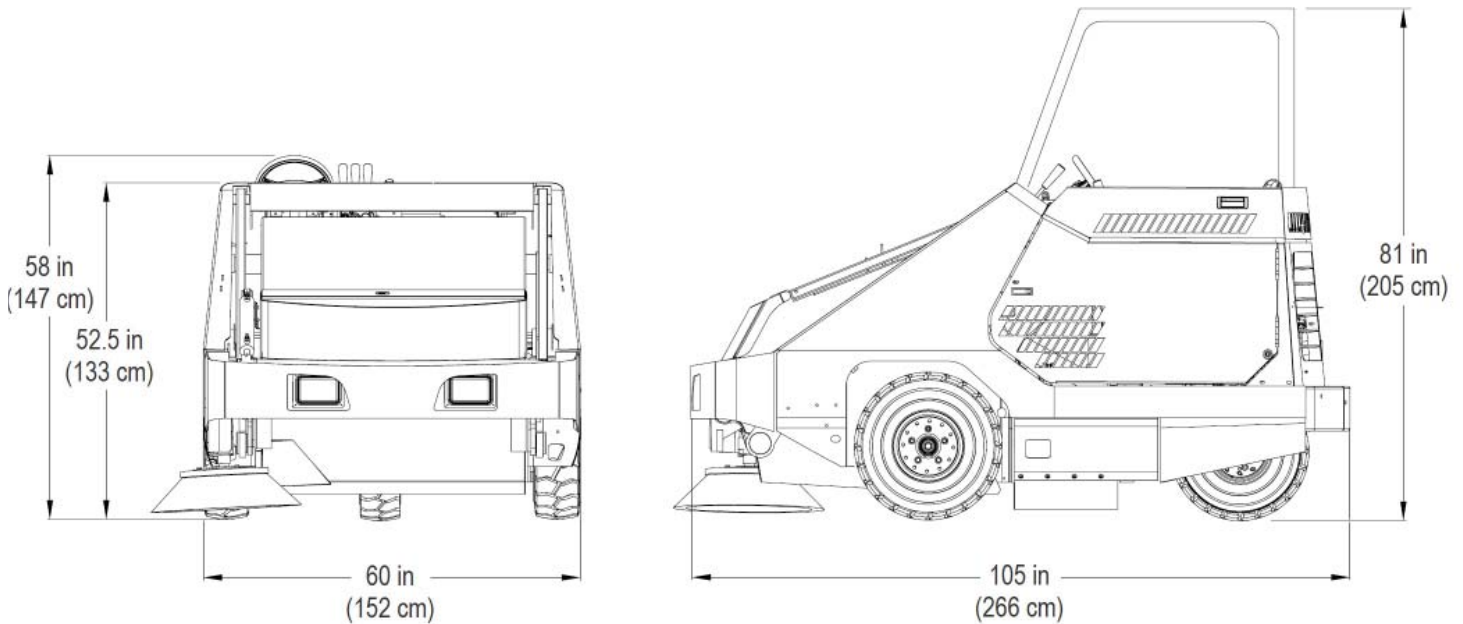
Model Armadillo 9X Series
 9X Model No. SW9XKDSL; SW9XKGAS; SW9XKLPG
 9X CE Model No. 9XRDSLCE; 9XRLPGCE

DIMENSIONS & WEIGHT

Length 105 in (267 cm)
 Width 60 in (152 cm)
 Height (machine) 52.5 in (133 cm)
 Height (with steering wheel) . . 58 in (147 cm)
 Height (with Overhead guard) 81 in (206 cm)
 Height (with Cab) 81 in (206 cm)
 Weight (Diesel engine) 4090 lb (1855 kg)
 Weight (Gas & LPG engines) 4070 lb (1846 kg)
 Minimum U-turn 110 in (280 cm)

SWEEPING SYSTEM

Productivity 184,800 ft²/hr (17,168 m²/hr)
 Sweep path. 62 in (157 cm)
 Main broom. 48 in (122 cm)
 Side broom 24 in (61 cm)
 with Dual side broom optional 72 in path
 optional (183 cm) path
 Hopper type RTR™ high dump
 Hopper volume 21.1 ft³ (0,59 m³)
 Hopper load capacity 1100 lb (498 kg)
 Dust control 110 ft² (10,22 m²)
 High dump 64 in (162 cm)
 include RTR™(Rotary Trash Relocation)



dimensions shown in inches (cm)

STANDARD ABBREVIATIONS

| | |
|--|---|
| °C-Degrees Celsius | INFO-Information |
| °F-Degrees Fahrenheit | INT-Internal or Interior |
| 12V-12 Volts DC | LG-Long |
| AR-Abrasion Resistant | LH-Left Hand |
| ASSY-Assembly | LPG-Liquefied Petroleum Gas |
| ATO-Standard Auto Fuse Type Also called ATC | LP-Liquefied Petroleum |
| BHSCS-Button Head Screw SS | M8x1-Indicates Metric threads, 8mm Dia with a 1mm thread pitch |
| BLK-Black | MM-Millimeters |
| BLT-Belt | MNT-Mount |
| BR-Brass or Broom or Brush | MS-Mid Size |
| BRM-Broom | OD-Outside Diameter |
| BRKT-Bracket | PLTD-Plated |
| CB-Curb Broom | REV-Reverse |
| CCW-Counter Clockwise | RH-Right Hand |
| CI-Cubic Inch | ROT-Rotation |
| CW-Clockwise Rotation | RTR-Rotary Trash Relocator |
| CYL-Cylinder | SCR-Screw |
| DEG-Degrees | SC-Scrubber |
| DIA-Diameter | SP-Service Part |
| DPDT-Double Pole Double Throw | SPDT-Single Pole Double Throw |
| ELEC-Electric | SPST-Single Pole Single Throw |
| ES-Elastic Stop, also Nyloc | SS-Stainless Steel |
| EXT-Exterior or Extended | STR-Straight |
| FI-Fuel Injection | ST-Straight |
| FS-Full Size | SUB-Sub Assembly |
| FTG-Fitting | THD-Thread |
| FWD-Forward | THK-Thick |
| REV-Reverse | THRU-Through |
| GAL-US Gallon (3.79 Liters) | UNC-Unified Nat'l Coarse Threads |
| GOV-Governor | UNF-Unified Nat'l Fine Threads |
| HD-Head | V1505-Kubota Diesel Engine |
| HD-Heavy Duty | W/-With |
| HOP-Hopper | WELD-Weldment |
| HSS-High Speed Steel | W/O-Without |
| HT-High Temperature | SP-Zinc Plated |
| HT-Height | |
| HYD-Hydraulic | |
| ID-Identification | |
| ID-Inside Diameter | |
| IMP-Impeller | |

TABLE OF CONTENTS

PREFACE..... 2

TECHNICAL SPECIFICATIONS

 DIMENSIONS & WEIGHT..... 4

 SWEEPING SYSTEM..... 4

 STANDARD ABBREVIATIONS..... 5

FRAME ASSEMBLY..... 10

HYDRAULIC BRAKE ASSEMBLY..... 12

HYDRAULIC BRAKE ASSEMBLY - CONTINUED..... 14

BRAKE - 8" ARMA L/H PN-3321450..... 16

BRAKE - 8" ARMA R/H PN-3321471..... 16

STEERING WHEEL, GAUGES & FUSES..... 18

STEERING COLUMN..... 20

SIDE BROOM ASSEMBLY - DRIVE MOTOR, ARM, AND MOUNTING..... 22

SIDE BROOM ASSEMBLY - ADJUSTMENT COMPONENTS..... 24

ENGINE COVER, SIDE DOOR, LATCH & REAR GRILL..... 26

REAR DRIVE ASSEMBLY..... 28

DIRECTIONAL CONTROL LINKAGE ASSEMBLY..... 30

CONSOLE ASSEMBLY..... 32

SEAT, FLOOR PAN & TAIL LIGHT..... 34

LIFT & ROTATION CYLINDERS, HYDRAULIC HOSES..... 36

RTR SWITCH DETAIL LIFT ARM..... 38

LPG MOUNT ASSEMBLY..... 39

HOPPER - FILTER AND SHAKER MOTOR COMPONENTS..... 40

HOPPER - COVER AND LATCH COMPONENTS..... 42

FRONT BUMPER ASSEMBLY..... 44

BATTERY COMPONENTS..... 45

ENGINE PAN, HYDRAULIC HOSE RETAINER & LATCH..... 46

FUEL TANK GASOLINE AND DIESEL..... 48

HYDRAULIC RESERVOIR ASSEMBLY..... 50

HYDRAULIC CONTROL VALVE DETAIL..... 52

IMPELLER ASSEMBLY..... 54

MAIN BROOM ASSEMBLY..... 56

SIDE BROOM & MAIN BROOM..... 58

VACUUM SWITCH..... 60

TIMER-FILTER SHAKER SEALED..... 61

GASKET MOUNT ASSEMBLY..... 62

ENGINE KUBOTA V1505 DIESEL - AIR CLEANER ASSEMBLY..... 64

ENGINE KUBOTA V1505 DIESEL - FUSE BOX ASSEMBLY..... 65

ENGINE KUBOTA V1505 DIESEL - FUSE BOX DETAILS..... 66

ENGINE KUBOTA V1505 DIESEL - ALTERNATOR, WATER PUMP, FAN, AND OIL PAN..... 68

ENGINE KUBOTA V1505 DIESEL - FLYWHEEL, STARTER, HEAD COVER, AND MANIFOLD 70

ENGINE KUBOTA V1505 DIESEL - FUEL SYSTEM AND SPEED CONTROL..... 72

ENGINE KUBOTA V1505 DIESEL - MOTOR MOUNTING..... 74

ENGINE KUBOTA V1505 DIESEL - EXHAUST DETAIL..... 76

ENGINE KUBOTA V1505 DIESEL - RADIATOR DETAIL..... 78

ENGINE KUBOTA V1505 DIESEL - RADIATOR COOLANT TANK & MOUNT..... 80

ENGINE KUBOTA V1505 DIESEL - RADIATOR ASSY & MOUNTING BRACKETS..... 82

ENGINE KUBOTA V1505 DIESEL - RADIATOR ASSY, CLAMPS, HOSES & SENDERS..... 84

ENGINE KUBOTA V1505 DIESEL, WG1605 GAS & LPG - HYDRAULIC PUMP DETAIL..... 86

ENGINE KUBOTA WG1605 LPG - AIR CLEANER DETAIL..... 88

ENGINE KUBOTA WG1605 GAS - AIR CLEANER DETAIL..... 89

ENGINE KUBOTA WG1605 GAS & LPG ENGINE ASSEMBLY..... 90

ENGINE KUBOTA WG1605 GAS & LPG - MOUNTS-EXHAUST SIDE..... 92

ENGINE KUBOTA WG1605 GAS & LPG - MOUNTS-INTAKE SIDE..... 93

ENGINE KUBOTA WG1605 GAS & LPG - MOUNTING FASTENER DETAIL..... 94

ENGINE KUBOTA WG1605 GAS & LPG - MOUNTING FASTENER DETAIL..... 95

ENGINE KUBOTA WG1605 GAS & LPG - MOUNTING AIR CLEANER BRACKET..... 96

ENGINE KUBOTA WG1605 GAS & LPG - RADIATOR MOUNTS..... 97

ENGINE KUBOTA WG1605 GAS & LPG - RADIATOR..... 98

ENGINE KUBOTA WG1605 GAS & LPG - EXHAUST DETAIL..... 100

OPTIONS AND STANDARD CE FEATURES

OPT - MICHIGAN SUSPENSION SEAT (600005)..... 102

OPT - TIRES PNEUMATIC WITH WELDED NUTS (660075)..... 103

OPT - RAISE HOPPER, MAIN BROOM SHUT OFF (690100)
CE MODELS STANDARD FEATURE..... 104

OPT - CE KEY LATCH 9X (690102)
CE MODELS STANDARD FEATURE..... 108

OPT - SEAT SWITCH ENGINE SHUT OFF (690147)
CE MODELS STANDARD FEATURE..... 109

OPT - LOW LP INDICATOR (690148)..... 110

OPT - HOPPER PRESSURE BYPASS (690231)..... 112

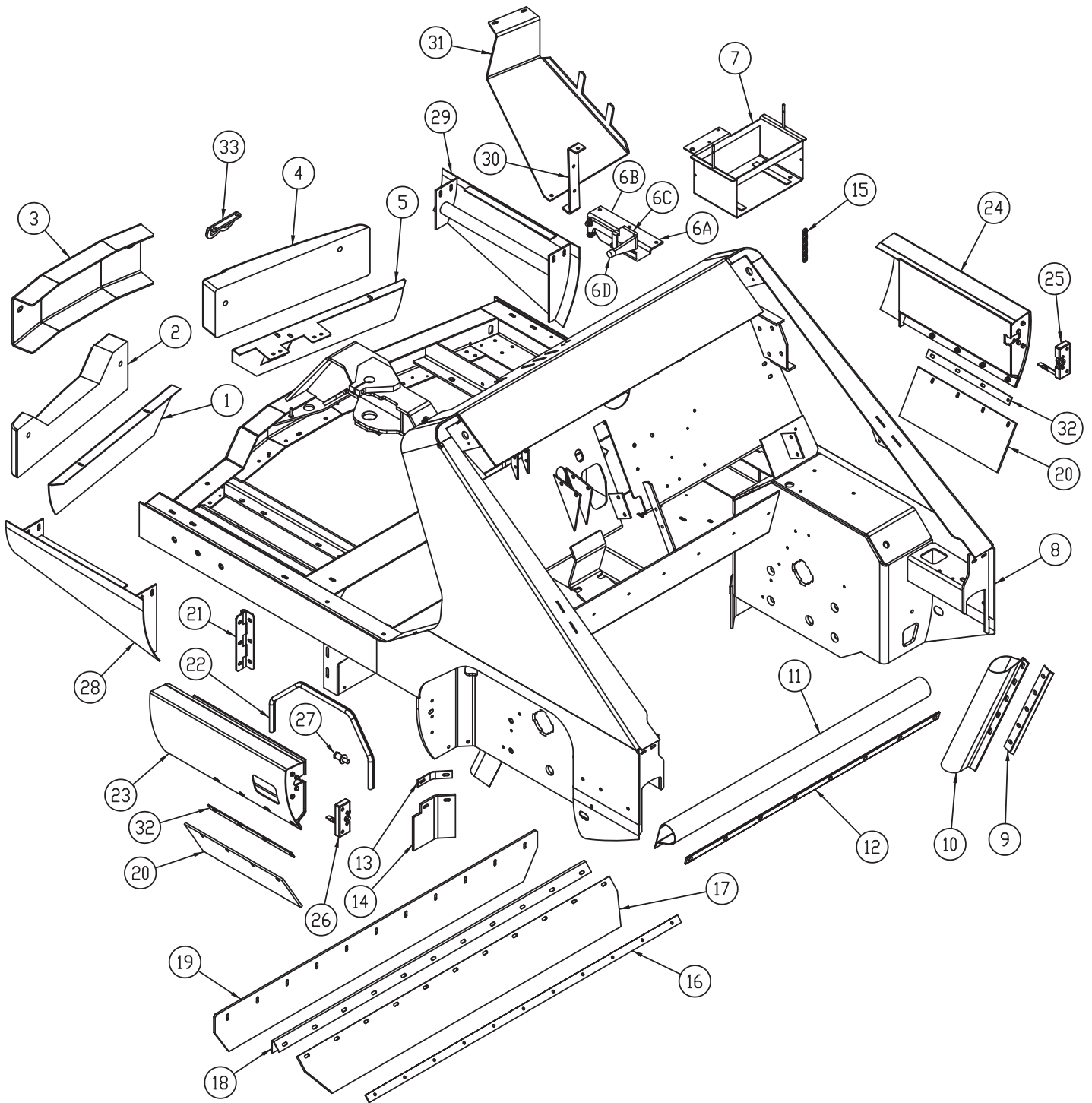
OPT - SEAT BELT FOR STANDARD SEAT WITH LOCK (690230)..... 114

OPT - SEAT BELT FOR SUSPENSION SEAT WITH LOCK (690233)..... 114

OPT - AIR CONDITIONING UNIT RISER (690317)..... 115

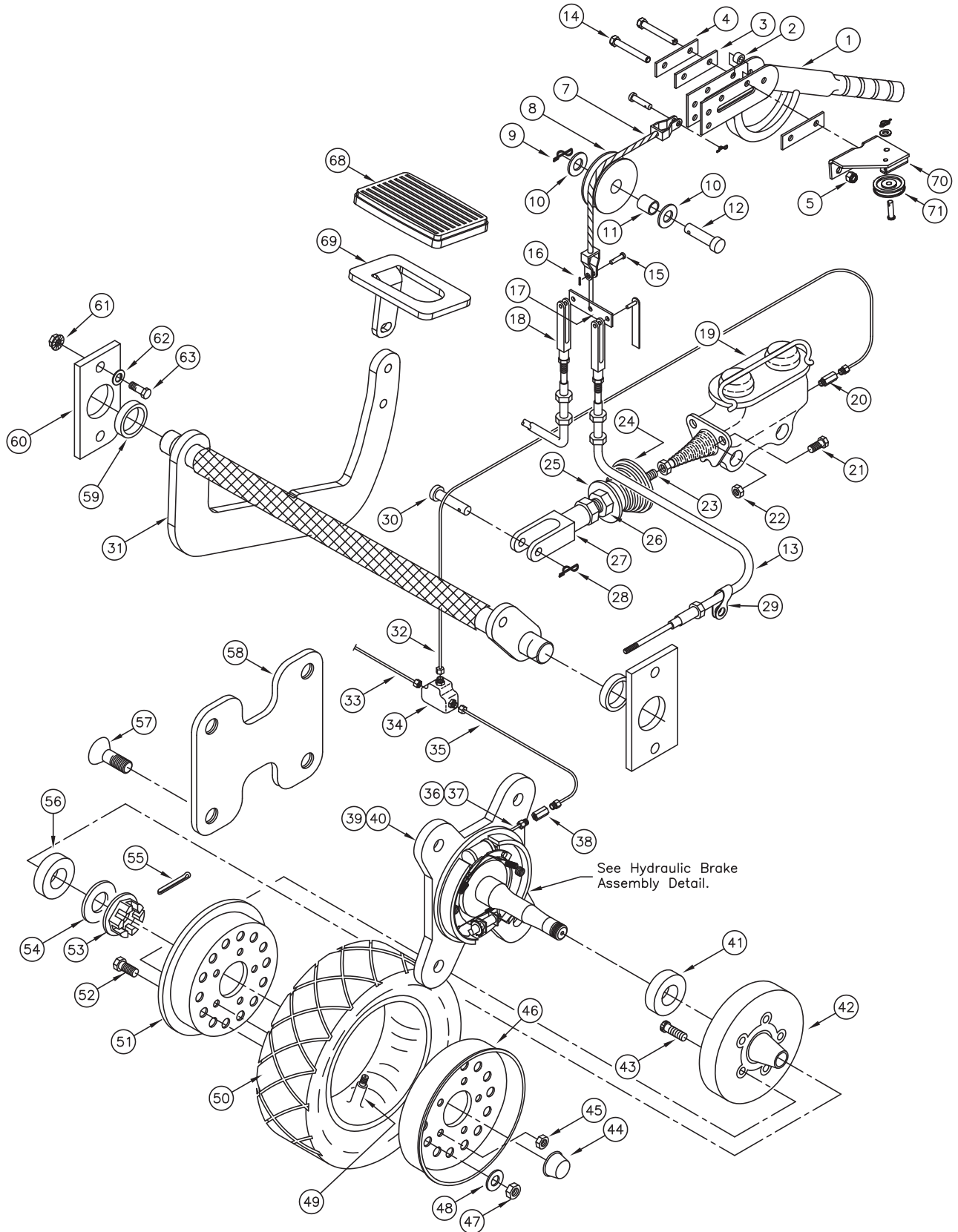
| | |
|--|-----|
| OPT - AIR CONDITIONING, LP/GAS (690378) | 118 |
| OPT - AIR CONDITIONING, DSL (3316990) | 122 |
| OPT - AIR CONDITIONING, DSL FOR CE MODELS (690380) | 123 |
| OPT - AIR CONDITIONING, LP/GAS FOR CE MODELS (690381) | 123 |
| OPT - HOPPER, STAINLESS STEEL (3315078)..... | 124 |
| OPT - SPOTLIGHT, CURB BROOM (3316152)..... | 128 |
| OPT - OVERHEAD GUARD (3317260) | 129 |
| OPT - HEATER (3316472) | 130 |
| OPT - FAN/DEFROSTER (3317266) | 132 |
| OPT - FIRE EXTINGUISHER (3317268) | 133 |
| OPT - LIGHT, FLASH AMBER (3317270)..... | 134 |
| OPT - LIGHT, FLASH BLUE (3317271) | 136 |
| OPT - LIGHT, ROTATING RED (3317272) | 138 |
| OPT - LIGHT, ROTATING AMBER (3317273) | 140 |
| OPT - LIGHT, STROBE AMBER (3317276) | 142 |
| OPT - HD CURB BROOM, RIGHT (3317302) | 144 |
| OPT - HD CURB BROOM, LEFT (3330752)..... | 145 |
| OPT - SAFETY, FIRE IN HOPPER INDICATOR (3317307) | 146 |
| OPT - CE BACKUP ALARM & NEUTRAL SAFETY SWITCH (3317306P) | 147 |
| OPT - BACKUP ALARM & NEUTRAL SAFETY SWITCH (3317306)..... | 148 |
| OPT - POWERFLEX (3322125) | 150 |
| OPT - AIR CLEANER, EXTERNAL AUX (3330896)..... | 152 |
| OPT - AIR CLEANER, HEAVY DUTY (3331034) | 154 |
| OPT - AIR CLEANER, EXTERNAL AUX OVERHEAD GUARD (3331338) | 156 |
| OPT - LH CURB BROOM KIT ASSEMBLY (3338666)..... | 158 |
| OPT - DUAL CURB BROOM KIT ASSEMBLY WITH HOPPER (3333918) | 158 |
| DUAL CURB BROOM SUB-ASSEMBLY (3319421) | 160 |
| SIDE BROOM LIFT LH (3335420) | 162 |
| OPT - EXTREME ENVIRONMENT DUST COVER (3334437)..... | 164 |
| OPT - VACUUM WAND, 4" ORANGE (3334787)..... | 166 |
| OPT - VACUUMIZED SIDE BROOM (3338470) | 168 |
| MISCELLANEOUS OPTIONS | 170 |
| HYDRAULIC SCHEMATIC 9X | 172 |
| HYDRAULIC SCHEMATIC 9X CE | 175 |
| ELECTRICAL SCHEMATIC WITH KUBOTA V1505 - DIESEL..... | 178 |
| ELECTRICAL SCHEMATIC WITH KUBOTA WG1605 - GAS & LPG..... | 182 |
| WARRANTY..... | 185 |

FRAME ASSEMBLY



| FRAME ASSEMBLY ARMADILLO 9X | | | |
|-----------------------------|----------|---------|--|
| ITEM | PART NO. | REQ'D | DESCRIPTION |
| 1 | 3332182M | 1 | SKIRT-RT REAR 9X, DARK GRAY |
| 2 | 3309707P | 1 | COUNTERWEIGHT-RH PAINTED |
| 3 | 3332147P | 1 | COVER-COUNTER WEIGHT CENTER |
| 4 | 3301046P | 1 | COUNTERWEIGHT-LH PAINTED |
| 5 | 3335397M | 1 | SKIRT-LH REAR, 9X, DARK GRAY |
| 6A | 3309740 | 1 | MNT-ENG LOCK |
| 6B | 3301522 | 1 | SPRING-EXT BRAKE ARM (NOT SHOWN) |
| 6C | 3309743 | 1 | ARM-ENG LOCK |
| 6D | 430119 | 1 | RUBBER CAP 1/2 ID |
| 7 | 3321296 | 1 | WELDMENT-BATTERY BOX (MODELS W/ENGINE SWING) |
| 8 | 3335310M | 1 | WELD-FRAME, TIER 2, |
| 9 | 3315203 | 2 | RETAINER-HOPPER SIDE SEAL |
| 10 | 3318143 | 2 | FLAP-RUBBER HOPPER/FRAME SIDE |
| 11 | 3307276 | 1 | SEAL-FRAME HOPPER HORIZONTAL |
| 12 | 3307281 | 1 | STRAP-FRAME HOP FLAP PAINTED |
| 13 | 3307287 | 2 | STRAP-BROOM CORNER FLAP PAINTED |
| 14 | 3307286 | 2 | FLAP-BROOM CHAMBER CORNER |
| 15 | 3307658 | 1 | CHAIN-FRAME GROUNDING |
| 16 | 3307283 | 1 | STRAP-REAR FEED FLAP PAINTED |
| 17 | 3307279 | 1 | FLAP-REAR FEED |
| 18 | 3307282 | 1 | ANGLE-REAR FLAP PAINTED |
| 19 | 3307278 | 1 | FLAP-REAR HOPPER |
| 20 | 3307280 | 2 | FLAP-MAIN BROOM DOOR |
| 21 | 3307275 | 2 | HINGE-BROOM DOOR |
| 22 | 3318739 | 2X 3.0' | WEATHERSTRIPPING-RUBBER SPONGE |
| 23 | 3307265M | 1 | ASSY- BROOM DOOR RH |
| 24 | 3307266M | 1 | ASSY- BROOM DOOR LH |
| 25 | 3307246 | 1 | LATCH-LH BROOM DOOR |
| 26 | 3307247 | 1 | LATCH-RH BROOM DOOR |
| 27 | 3307248 | 2 | BOLT-STRIKER BROOM DOOR LATCH |
| 28 | 3307519M | 1 | SKIRT-RH SIDE |
| 29 | 3307520M | 1 | SKIRT-LH SIDE |
| 30 | 3307792 | 1 | BAR-HOSE PAN SUPPORT |
| 31 | 3307791 | 1 | PAN-HOSE |
| 32 | 3307284 | 2 | STRAP - BROOM DOOR FLAP |
| 33 | 3343740 | 1 | TIE DOWN-UNIVERSAL, REAR |

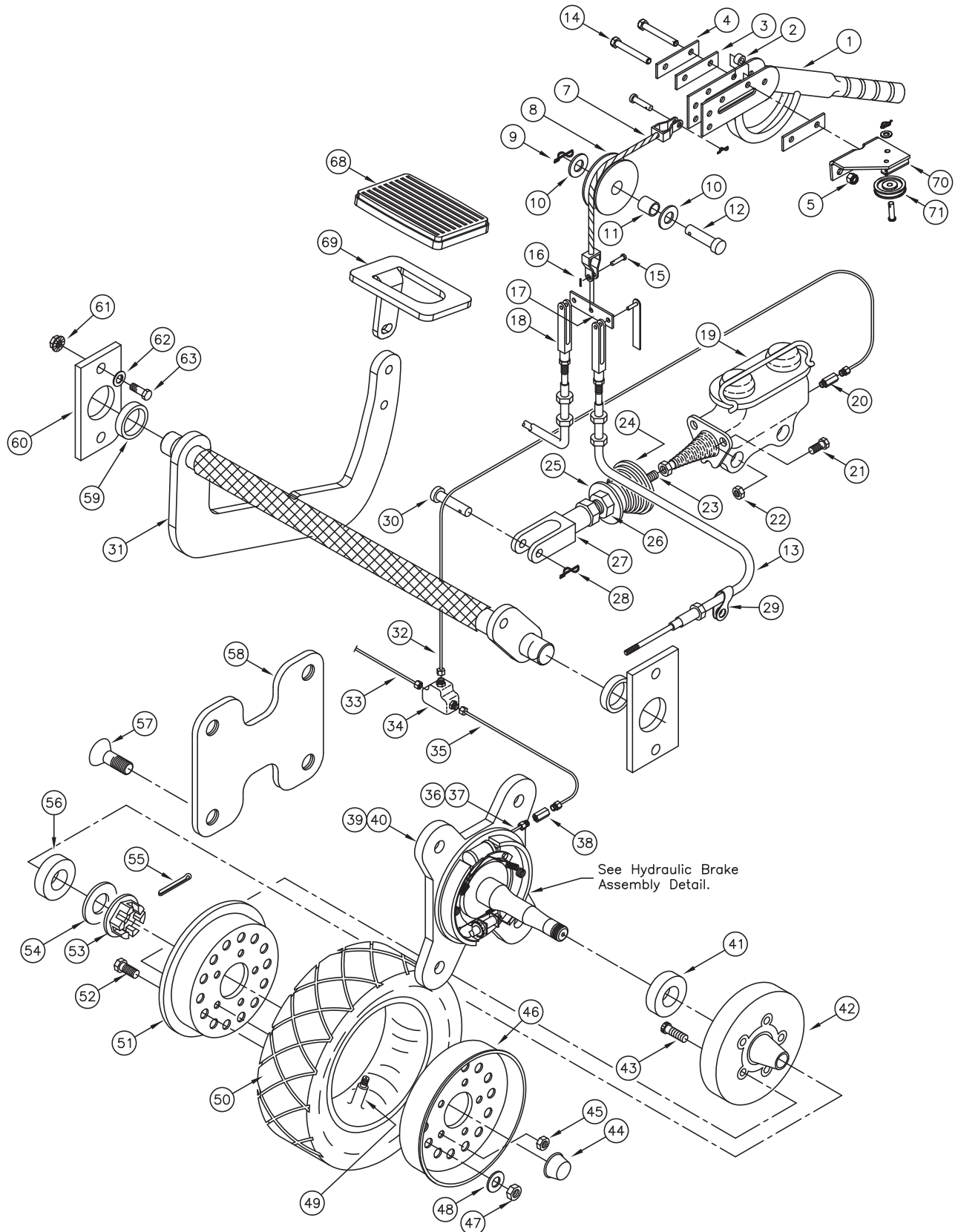
HYDRAULIC BRAKE ASSEMBLY



| HYDRAULIC BRAKE ASSEMBLY | | | |
|--------------------------|-----------|-------|--------------------------------------|
| ITEM | PART NO. | REQ'D | DESCRIPTION |
| 1 | 3303169 | 1 | LEVER-HAND BRAKE |
| 2 | 3307241 | 1 | SPACER-HAND BRAKE ZP SW/A |
| 3 | 3307273 | 2 | BAR-HAND BRAKE SPACER, ZP SW/A |
| 4 | 3307895 | 1 | SPACER-THIN HAND BRAKE, ZP |
| 5 | 711380 | 2 | NUT-NYLOC 3/8-16 |
| 7 | 3307632 | 1 | CABLE-CENTER BRAKE, SW/A |
| 8 | 3300367 | 1 | PULLEY-2.50 DIA, BUSHED, BRAKE |
| 9 | 3400125 | 1 | PIN-COTTER 3/8 RUE-RING |
| 10 | 3400088 | 2 | WASHER-FLAT 5/16 IDx.688 ODx.065 THK |
| 11 | 3303552 | 1 | SLEEVE-HAND BRAKE ZP |
| 12 | 3400185 | 1 | PIN-CLEVIS 5/16x1-1/4 ZP |
| 13 | 3321452 | 2 | CABLE-8" PARKING BRAKE (HAND) |
| 14 | 3400473 | 2 | SCR-HEX,3/8-16x3.00 ZP F'THD |
| 15 | 3400118 | 1 | PIN-CLEVIS 5/16x7/8 ZP |
| 16 | 3400125 | 1 | PIN-COTTER 3/8 RUE-RING |
| 17 | 3307232 | 1 | BAR-BRAKE EQUALIZER ZP SW/A |
| 18 | 3321470 | 2 | CLEVIS-BRAKE 8MM |
| 19 | 3316717 | 1 | CYLINDER-BRAKE MASTER, ARMA |
| 20 | 3307638 | 1 | FTG-REDUCER NAPA #7909 |
| 21 | 3400028 | 3 | SCR-HEX,3/8-16x1.50 ZP |
| 22 | 711380 | 3 | NUT-HEX 3/8-16 ES ZP |
| 23 | 3307235 | 1 | ROD-BRAKE MASTER CYLINDER, ZP |
| 24 | 3313109 | 1 | SPRING-PEDAL RETURN |
| 25 | 3400278 | 4 | WASHER-FENDER 3/8 |
| 26 | 3400075 | 2 | NUT-HEX JAM 3/8-24 ZP |
| 27 | 3301447 | 1 | CLEVIS-CABLECRAFT AC-218 |
| 28 | 3400125 | 1 | PIN-COTTER 3/8 RUE-RING |
| 29 | 3332271 | 1 | CLAMP-3/8 DIA INSULATED HALF (STRAP) |
| 30 | 3400117 | 1 | PIN-CLEVIS 3/8x1-1/8, ZP |
| 31 | 3337539 | 1 | WELDMENT - BRAKE BAR, HYD. |
| 32 | 3307637-1 | 1 | ASSEMBLY-BRAKE LINE CENTER SW/A |
| 33 | 3321457 | 1 | BRAKE LINE-ARMA RH LONG |
| 34 | 3306307 | 1 | FTG-TEE HYD BRAKE |
| 35 | 3321459 | 1 | BRAKE LINE-ARMA LH LONG |
| 36 | 3321455 | 1 | BRAKE LINE-ARMA LH, SHORT |

Continued On Next Page

HYDRAULIC BRAKE ASSEMBLY - CONTINUED

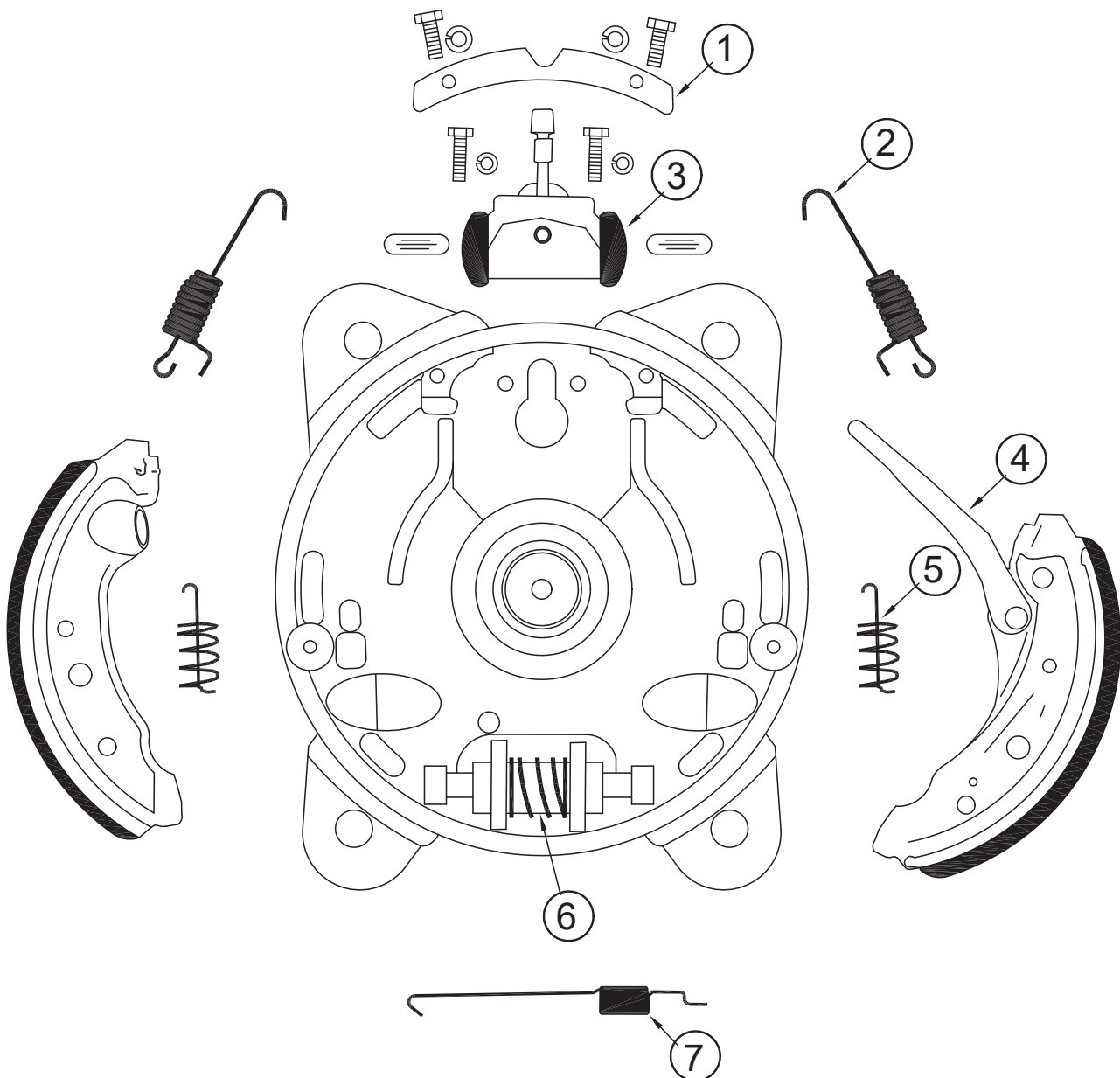


| HYDRAULIC BRAKE ASSEMBLY (CONT'D) | | | |
|-----------------------------------|----------|-------|---|
| ITEM | PART NO. | REQ'D | DESCRIPTION |
| 37 | 3321456 | 1 | BRAKE LINE-ARMA RH, SHORT |
| 38 | 3400969 | 1 | FTG-COUPLING, 3/16" OD HYD BRAKE, BRASS |
| 39 | 3321450 | 1 | ASSEMBLY-8" HYDRAULIC BRAKE LH |
| 40 | 3321471 | 1 | ASSEMBLY-8" HYDRAULIC BRAKE RH |
| 41 | 3307238 | 1 | BEARING-INNER WHEEL SW/A |
| 42 | 3332483 | 1 | BRAKE-DRUM 8" ARMA PAINTED |
| 43 | 3307242 | 10 | STUD-WHEEL, 1/2-20x1.75 LG |
| 44 | 3300369 | 1 | CAP-HUB, 2.44" DIA, ZP |
| 45 | 3300411 | 5 | NUT-WHEEL LUG, 1/2-20 UNF |
| 46 | 3307255 | 1 | RIM-FRONT OUTER SW/A PNTD |
| 47 | 3400066 | 10 | NUT-HEX 7/16-14 ZP |
| 48 | 3400099 | 10 | WASHER-LOCK 7/16 SPLIT ZP |
| 49 | 3307253 | 2 | TUBE-TIRE INNER, 650x10 |
| 50 | 3307252 | 2 | TIRE-PNEUMATIC 650x10 |
| 51 | 3307254 | 1 | RIM-FRONT INNER SW/A PNTD |
| 52 | 3400022 | 10 | SCR-HEX, 1/2-13X1.25 GR 5 ZP |
| 53 | 3400076 | 1 | NUT-HEX JAM SLOTTED, 1-14 ZP |
| 54 | 3307352 | 1 | WASHER-1.016 IDx1.50 ODx.25 THK |
| 55 | 3400120 | 1 | PIN-COTTER 5/32 DIAx2.00 LG, ZP |
| 56 | 3300467 | 1 | BEARING-BALL 2.44 ODx1.18 ID |
| 57 | 3402030 | 4 | SCR-FLT, 5/8-11x1.00, SOC ZP |
| 58 | 3321453 | 1 | PLT-8" BRAKE MOUNT RH&LH |
| 59 | 3307220 | 2 | BEARING-.88IDx1.00ODx.50LG |
| 60 | 3307233 | 2 | MOUNT-.88 DIA BEARING, ZP SW/A |
| 61 | 711439 | 1 | NUT-FLANGED WIZZ 3/8-16 |
| 62 | 3400385 | 1 | WASHER-CONICAL SPRING 3/8 |
| 63 | 711250 | 1 | BLT-HH 3/8-16 X 1.25 STL ZINC |
| 68 | 3300413 | 1 | PAD-RUBBER BRAKE PEDAL |
| 69 | 3337386 | 1 | PLT - BRAKE PEDAL |
| 70 | 3307861 | 1 | PULLEY MOUNT #3 |
| 71 | 3300368 | 1 | PULLEY-PLASTIC 2" x .25" GROOVE |

End of Section

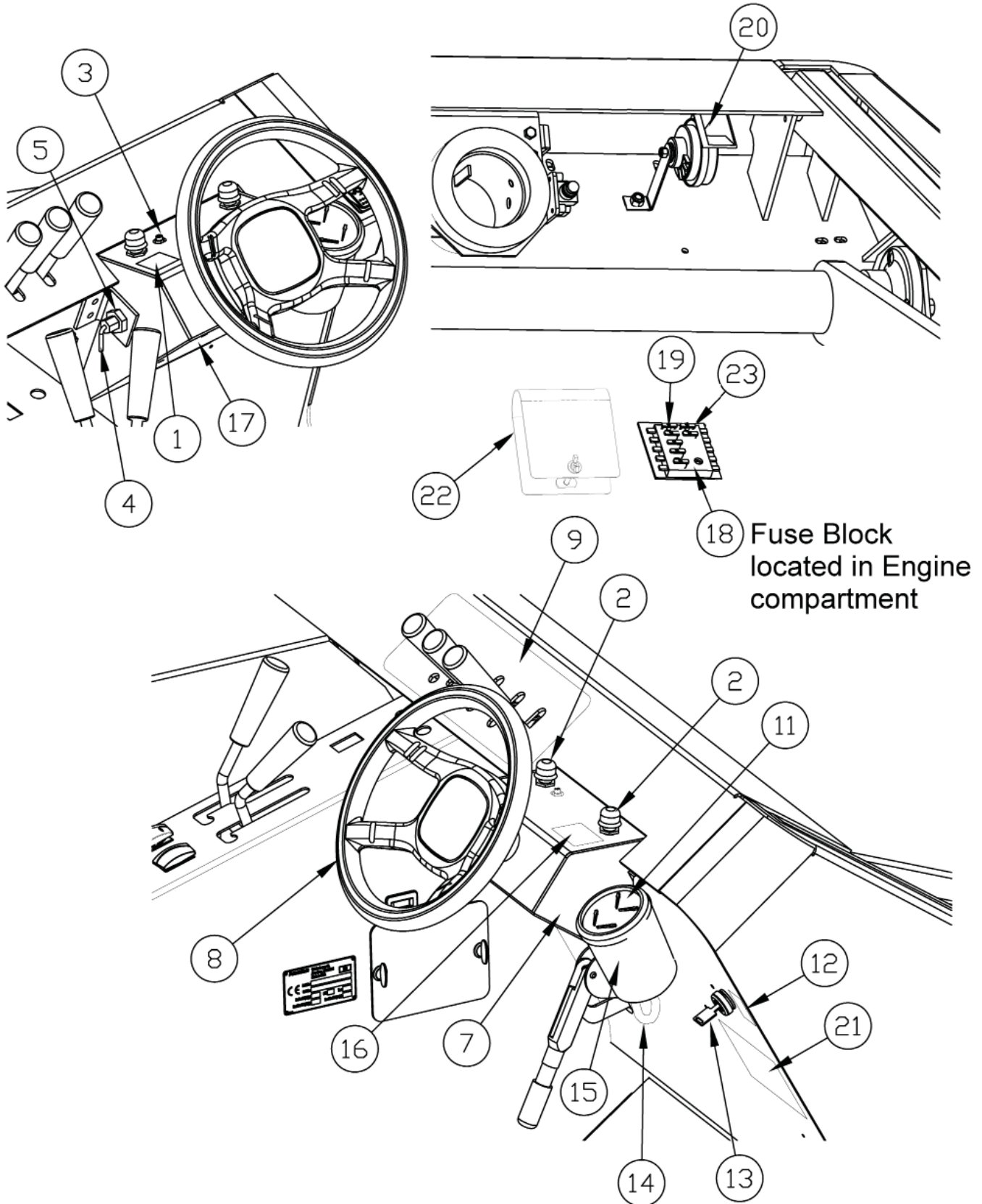
BRAKE - 8" ARMA L/H PN-3321450

BRAKE - 8" ARMA R/H PN-3321471

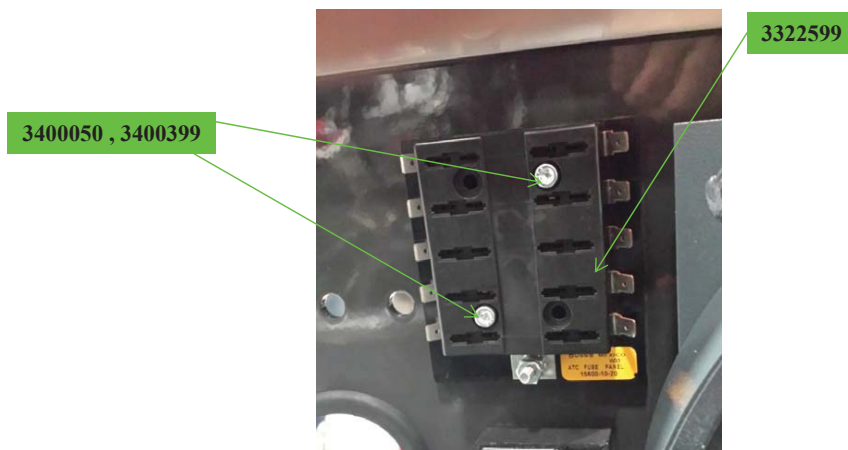


| BRAKE - 8" ARMA L/H PN-3321450 | | | |
|---------------------------------------|-----------------|--------------|-----------------------------------|
| BRAKE - 8" ARMA R/H PN-3321471 | | | |
| ITEM | PART NO. | REQ'D | DESCRIPTION |
| 1 | 3321462 | 1 | RETAINER-BRAKE 8" PLATE |
| 2 | 3321465 | 2 | SPRING-TENSION |
| 3 | 3321461 | 1 | ASSEMBLY-WHEEL CYLINDER, 8" BRAKE |
| 4 | 3321467 | 1 | BRAKE SHOE SET-8" LH (SHOWN) |
| 4 | 3334766 | 1 | BRAKE SHOE SET-8" RH (NOT SHOWN) |
| 5 | 3321466 | 2 | SPRING-HOLD DOWN |
| 6 | 3321463 | 1 | ASSEMBLY-MANUAL BRAKE ADJUSTER |
| 7 | 3321464 | 1 | SPRING-RETURN, 8" BRAKE |

STEERING WHEEL, GAUGES & FUSES

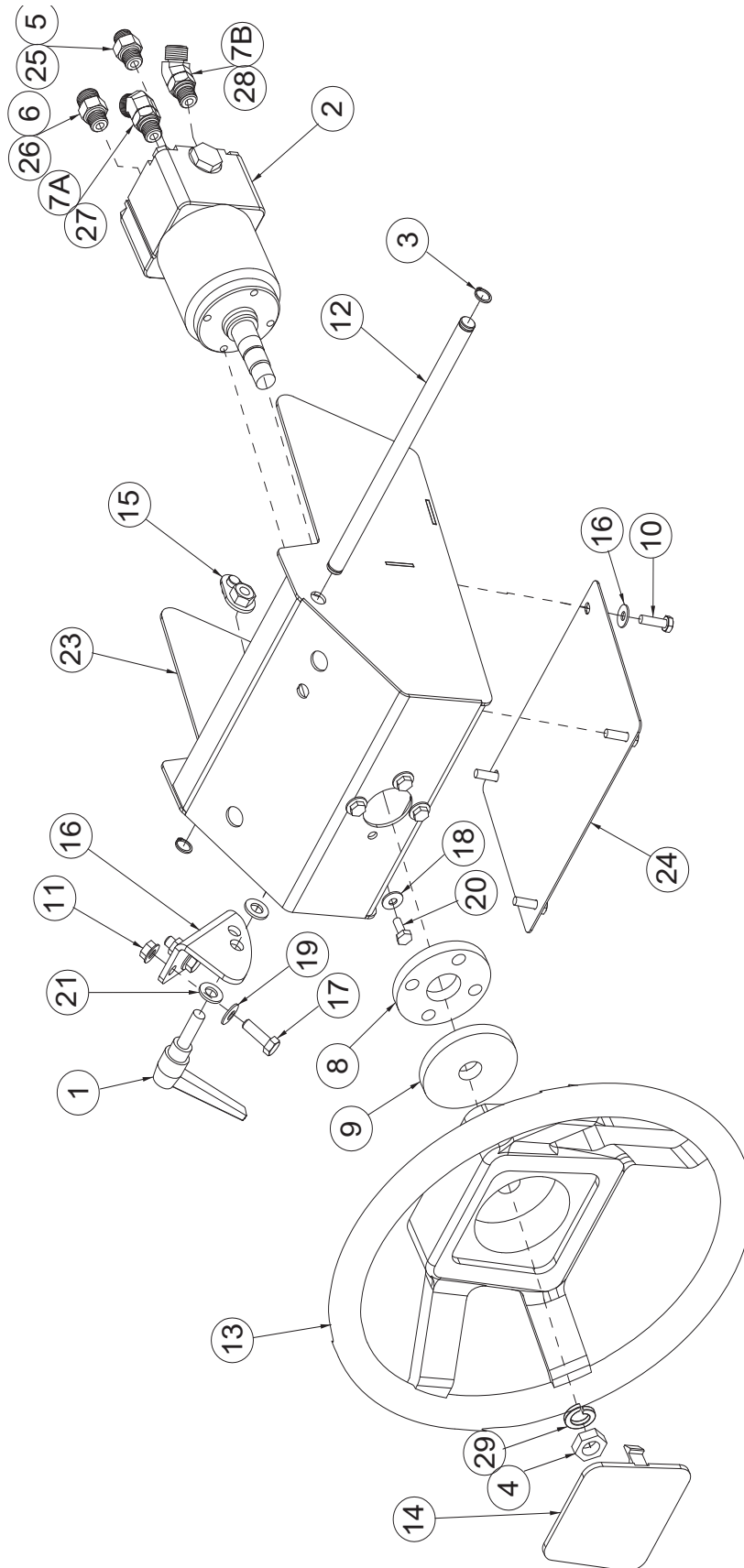


| STEERING WHEEL, GAUGES & FUSES | | | |
|--------------------------------|----------|-------|---------------------------------------|
| ITEM | PART NO. | REQ'D | DESCRIPTION |
| 1 | 3302520 | 1 | DECAL-"FILTER SHAKER" |
| 2 | 3300441 | 2 | SWITCH MOMENTARY 12V |
| 3 | 3026924 | 1 | CIRCUIT BREAKER-45 AMP |
| 4 | 600260 | 1 | KNOB LEVER |
| 5A | 3338622 | 1 | WDT - TILT STEERING LOCK |
| 5B | 3400192 | 2 | NUT-HEX JAM 5/8-11 ZP |
| 5C | 12310058 | 1 | WSR-FLT M10.5 X 20 X 2 STL |
| 7 | 3338616P | 1 | WDT - AM9D TILT STEERING BOX |
| 8 | 3338215 | 1 | WHEEL-STEERING W/COVER SW |
| 9 | 3307594 | 1 | DECAL-FRONT PANEL SW/A |
| 11 | 3333721 | 1 | GAUGE-4 IN 1, 3.50" DIA |
| 12 | 3307599 | 1 | DECAL-IGNITION SW/A |
| 13 | 3316100 | 1 | SW-IGNITION, 3-POS, W/STARTER LOCKOUT |
| 14 | 3335096 | 1 | HARNESS-GAUGE |
| 15 | 3333719P | 1 | WELDMENT-GAUGE MOUNT |
| 16 | 3302525 | 1 | DECAL-"HORN" |
| 17 | 3338621P | 1 | COVER - PLT, TILT STEERING, AM9D |
| 18 | 3322599 | 1 | FUSE BLOCK-ATO, 10 POSITON |
| 19 | 3322601 | 5 | FUSE-15 AMP AUTOMOTIVE PUSH IN |
| 20 | 3300379 | 1 | HORN-AUTOMOTIVE 12V STANDARD |
| 21 | 3301854 | 1 | DECAL-CAUTION |
| 22 | 690104 | 1 | ASSY, RUBBER FUSE BOX COVER |
| 23 | 3335380 | 2 | FUSE-25 AMP STD, AUTO |



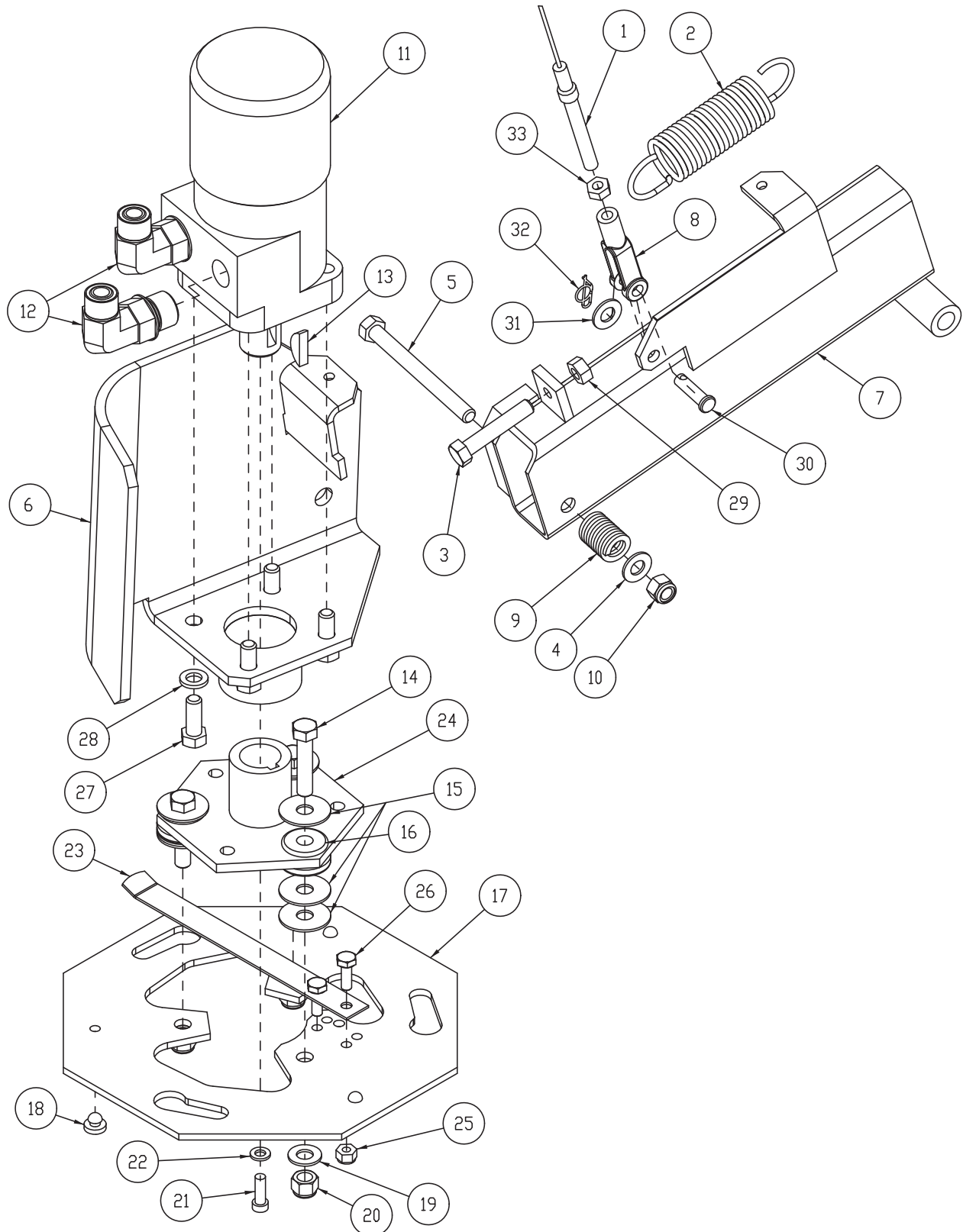
NOTE: Do Not Forget to install **690103** rubber flap to protect fuse box.

STEERING COLUMN



| STEERING COLUMN | | | |
|-----------------|-----------------|-------|---|
| ITEM | PART NO. | REQ'D | DESCRIPTION |
| 1 | 600260 | 1 | KNOB, LEVER |
| 2 | 600368 | 1 | STEERING UNIT |
| 3 | 600569 | 2 | RETAINING RING, EXT .50 HD |
| 4 | 620057 | 1 | NUT, JAM M16-1.50 STL ZP |
| 5 | 675511 | 1 | FTG-STR THD CONNECTOR -4 ORFS TO -6 SA |
| 6 | 675515 | 1 | FTG-STR THD CONNECTOR -6 ORFS TO -6 SA |
| 7A | 675552 | 1 | FTG-STR THD 45 -6 ORFS TO -6 SAE |
| 7B | 675552 | 1 | FTG-STR THD 45 -6 ORFS TO -6 SAE |
| 8 | 690152 | 1 | DUST RING, STEERING |
| 9 | 690160 | 1 | DUST RING, STEERING, UPPER |
| 10 | 711206 | 4 | BLT-HH 1/4-20 X .87 STL ZINC |
| 11 | 711379 | 2 | NUT-FLANGED WIZZ 5/16-18 |
| 12 | 750075 | 1 | SHAFT - TILT STEERING PIVOT |
| 13 | 3338215 | 1 | STEERING WHEEL |
| 14 | PART OF 3338215 | 1 | COVER, STEERING WHEEL |
| 15 | 3338622 | 1 | WDT - TILT STEERING LOCK |
| 16 | 3338625 | 1 | BRKT - TILT STEERING |
| 17 | 3400035 | 2 | SCR-HEX,5/16-18X1.00 ZP |
| 18 | 3400383 | 8 | WASHER-CONICAL SPRING 1/4 |
| 19 | 3400384 | 2 | WASHER-CONICAL SPRING 5/16 |
| 20 | 11038072 | 4 | BOLT, M6-100 X 16H |
| 21 | 12310058 | 2 | WSR-FLT M10.5 X 20 X 2 STL 140HV ZD DIN |
| 23 | 3338616P | 1 | WDT - AM9D TILT STEERING BOX |
| 24 | 3338621P | 1 | COVER - PLT, TILT STEERING, AM9D |
| 25 | 675407 | 1 | HYD HOSE - AUX PUMP TO PS UNIT |
| 26 | 675411 | 1 | HYD HOSE - PS UNIT TO ROT ACT P2 |
| 27 | 675409 | 1 | HYD HOSE - PS UNIT TO RESV |
| 28 | 675410 | 1 | HYD HOSE - PS UNIT TO ROT ACT P1 |
| 29 | 712315 | 1 | WASHER-LOCK 5/8 SPLIT ZP |

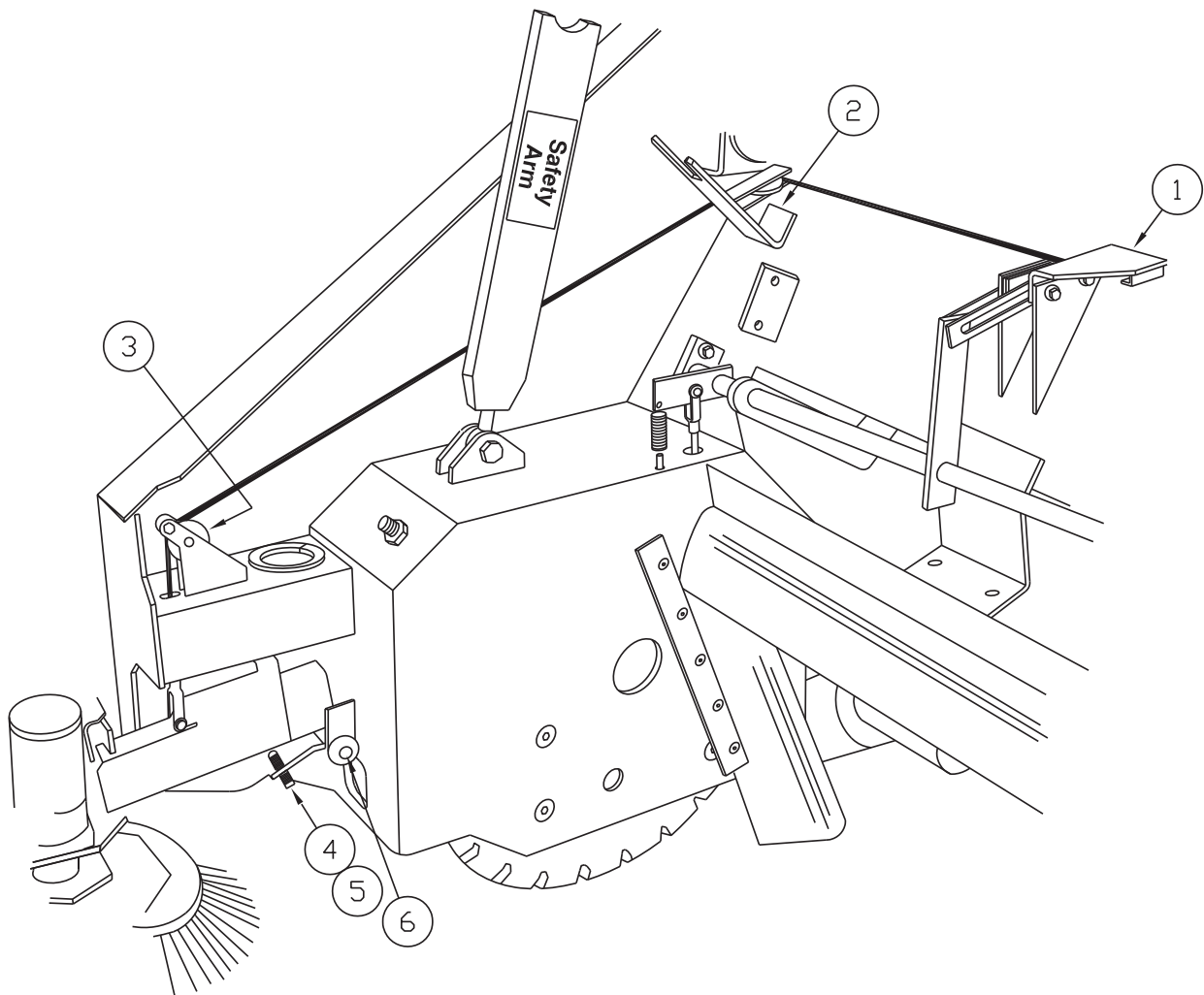
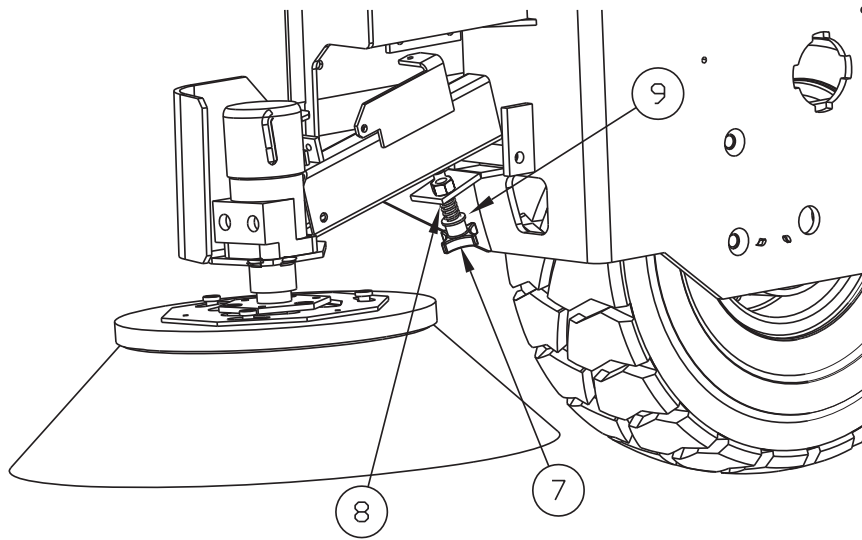
SIDE BROOM ASSEMBLY - DRIVE MOTOR, ARM, AND MOUNTING



SIDE BROOM ASSEMBLY - DRIVE MOTOR, ARM, AND MOUNTING

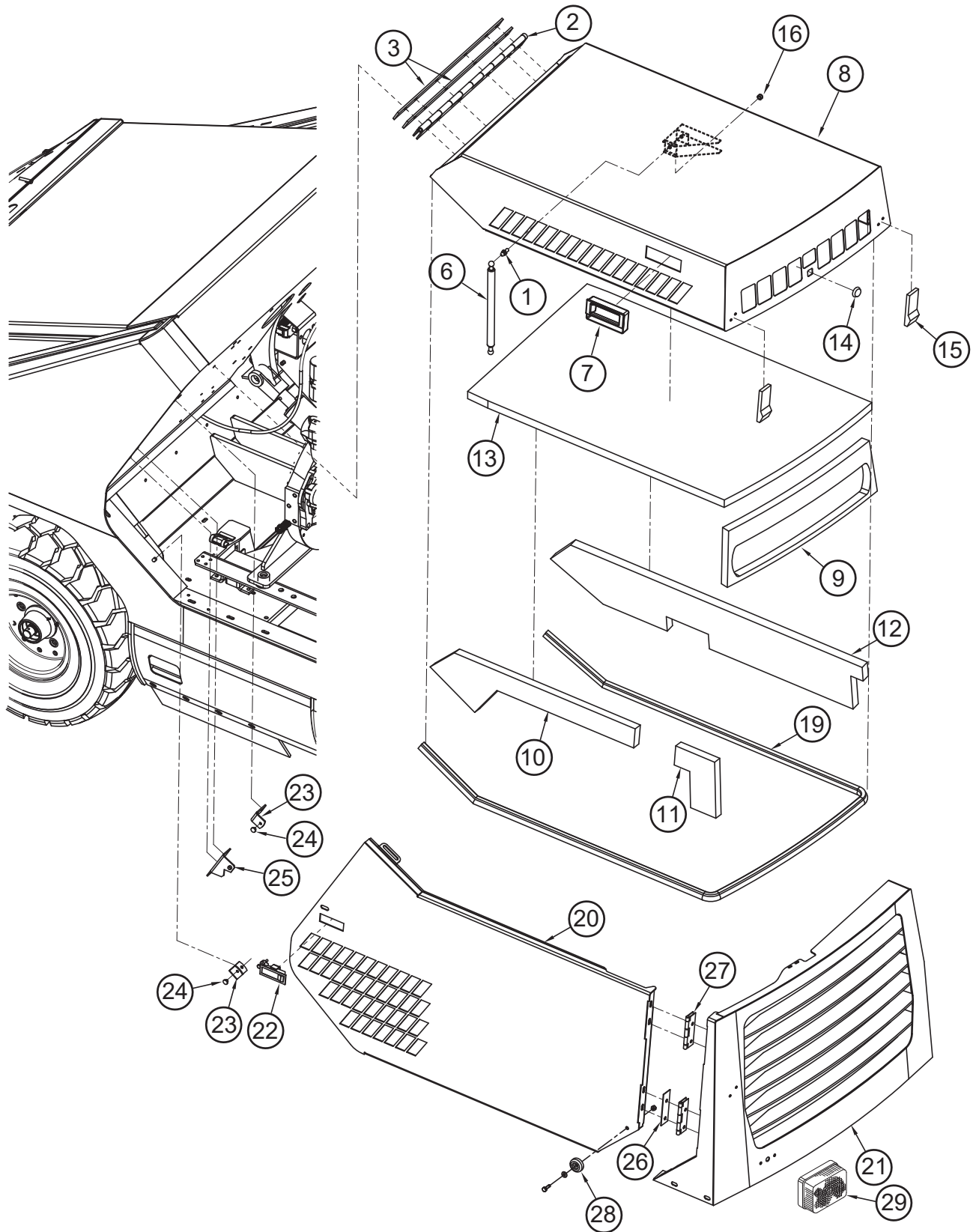
| ITEM | PART NO. | REQ'D | DESCRIPTION |
|------|----------|-------|---|
| 1 | 3335120 | 1 | CABLE-SIDE BROOM |
| 2 | 3302599 | 1 | SPRING-EXT LOOPS-IN-LINE ZP |
| 3 | 3401454 | 1 | BOLT-HEX, TAP 3/8-16 X 2 ZP |
| 4 | 3400087 | 1 | WASHER-FLAT 3/8 STANDARD ZP |
| 5 | 3400258 | 1 | SCR-HEX,3/8-24X4.00 ZP |
| 6 | 3307654P | 1 | RH SIDE BROOM MOUNT, AM9D |
| 7 | 3307527P | 1 | O/S WELD-RH CURB BROOM ARM, AM9D |
| 8 | 3307642 | 1 | CLEVIS-5/16 |
| 9 | 3306179 | 1 | SPRING-COMPRESSION, CURB BROOM |
| 10 | 3400342 | 1 | NUT-HEX 3/8-24 ES ZP |
| 11 | 3316897 | 1 | MOTOR-HYD CURB BROOM |
| 12 | 675528 | 2 | FTG-STR THD ELBOW -8 ORFS TO -10 SAE |
| 13 | 3330338 | 1 | KEY-SHAFT D-FOSS CB/MB/SC MTRS (REPLACEMENT) |
| 14 | 3400027 | 3 | SCR-HEX,3/8-16X1.75 ZP |
| 15 | 3400278 | 9 | WASHER-FENDER 3/8 |
| 16 | 3300465 | 3 | ISOLATOR-RUBBER (.375IDx.81OD) |
| 17 | 3301262 | 1 | PLATE-GIMBAL SC HD |
| 18 | 3300526 | 3 | BUMPER-RUBBER 1/4IDx1/8 THK |
| 19 | 3400087 | 3 | WASHER-FLAT 3/8 STANDARD ZP |
| 20 | 711380 | 3 | NUT-NYLOC 3/8-16 |
| 21 | 3400049 | 1 | SCR-SOCKET HEAD,1/4-20X0.75 NYLOCK |
| 22 | 3400103 | 1 | WASHER-LOCK 1/4 SPLIT ZP |
| 23 | 3302058 | 1 | BAR-CURB BROOM RETAINER |
| 24 | 3300875 | 1 | DRIVE HUB SC BR |
| 25 | 711373 | 2 | NUT-NYLOC 1/4-20 |
| 26 | 713002 | 2 | BLT-HH 1/4-20 X .75 #5 ZINC |
| 27 | 3400030 | 4 | SCR-HEX,3/8-16X1.00, GRADE 5, ZP |
| 28 | 3400101 | 4 | WASHER-LOCK 3/8 SPLIT ZP |
| 29 | 3400068 | 1 | NUT-HEX 3/8-16 ZP |
| 30 | 3400184 | 1 | PIN-CLEVIS 5/16 X 1-1/8 ZP |
| 31 | 3400087 | 1 | WASHER-FLAT 3/8 STANDARD ZP |
| 32 | 3400125 | 1 | RING-RUE 3/8 COTTER PIN |
| 33 | 3400069 | 1 | NUT-HEX 5/16-24 ZP |
| - | 3307033 | - | SUB-CURB BROOM SUB ASSY (INCLUDES ALL ITEMS, EXCEPT: 1, 4, 8, 13, 30, 31, 33) |

SIDE BROOM ASSEMBLY - ADJUSTMENT COMPONENTS



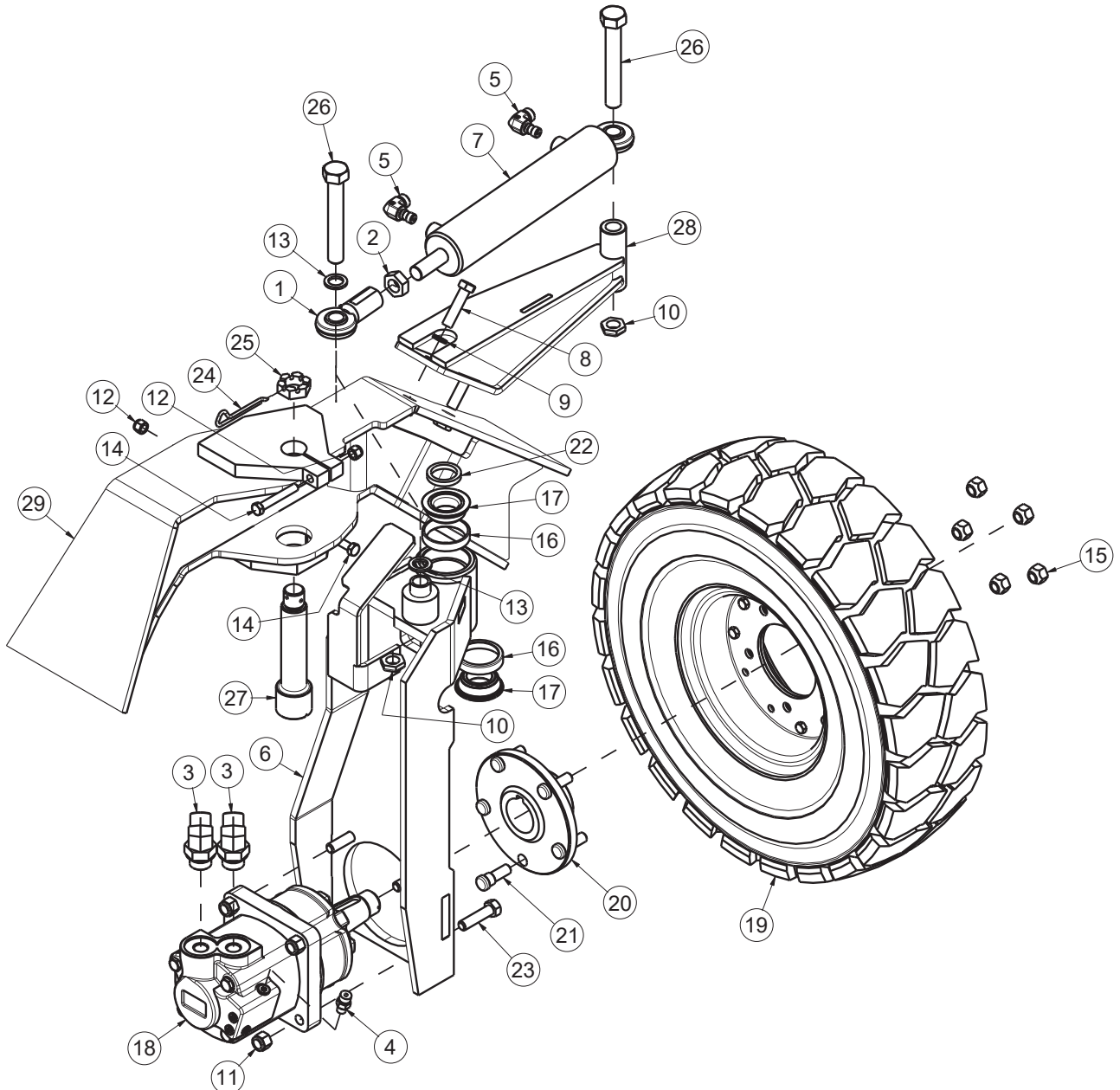
| SIDE BROOM ASSEMBLY - ADJUSTMENT COMPONENTS | | | |
|---|----------|-------|---|
| ITEM | PART NO. | REQ'D | DESCRIPTION |
| 1 | 3307861 | 1 | WELDMENT-PULLEY MOUNT #3 |
| 2 | 3307865 | 1 | WELDMENT-SAFETY ARM RETAINER/PULLEY MOUNT |
| 3 | 3300368 | 3 | PULLEY-PLASTIC $\phi 2"$, $\phi .25"$ GROOVE |
| 4 | 3400404 | 1 | SCR-SET, 1/2-20X3.00 |
| 5 | 3400449 | 1 | NUT-HEX JAM 1/2-20 (NOT SHOWN) |
| 6 | 620027 | 1 | PIN-CLEVIS 1/2 X 4-1/2 |
| 7 | 3400404 | 1 | SCR-SET, 1/2-20X3.00 |
| 8 | 3400449 | 1 | NUT-HEX JAM 1/2-20 ZP |
| 9 | 3400086 | 1 | WASHER-FLAT 1/2 STANDARD ZP |

ENGINE COVER, SIDE DOOR, LATCH & REAR GRILL



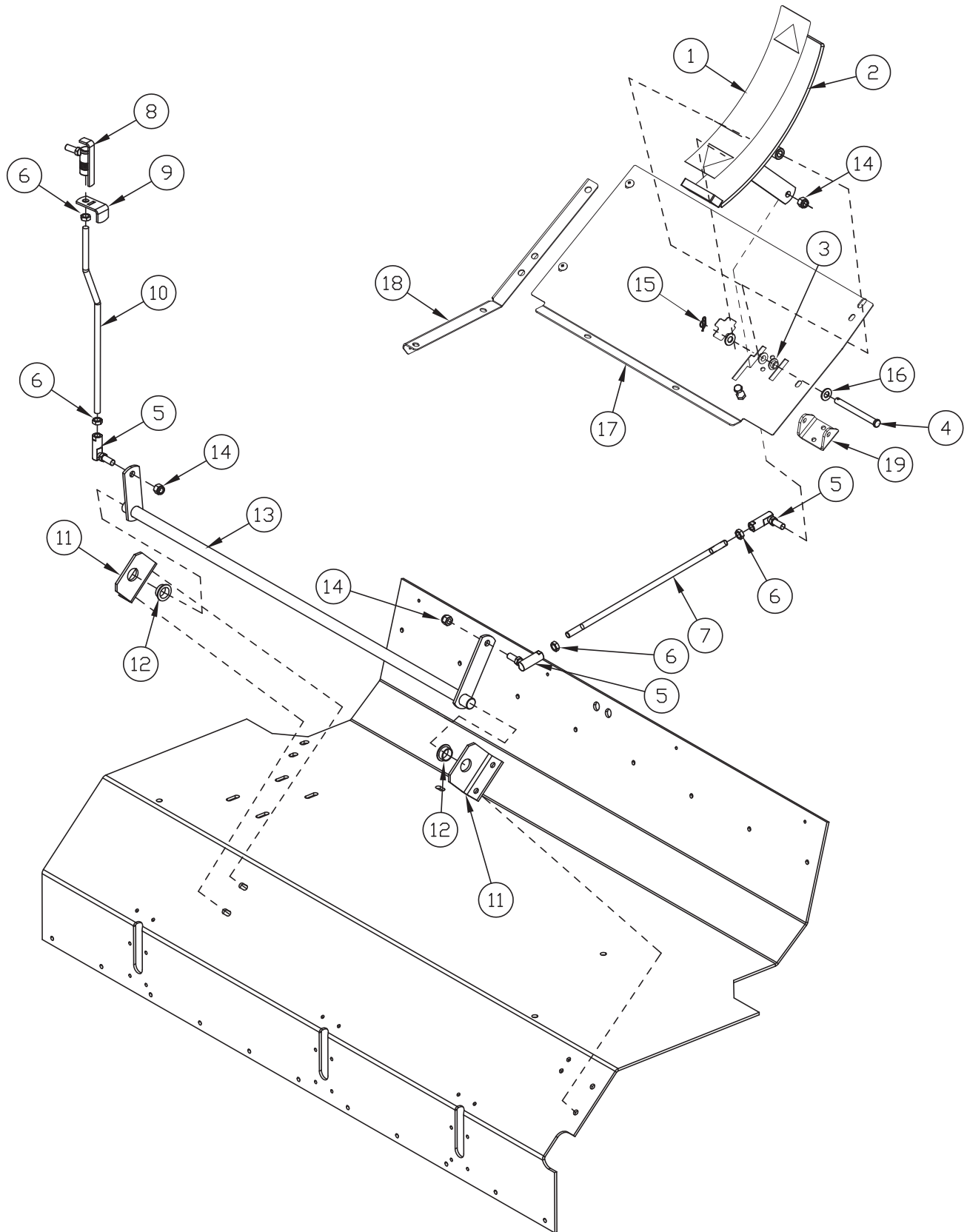
| ENGINE COVER, SIDE DOOR, LATCH & REAR GRILL | | | |
|---|-----------|-------|--|
| ITEM | PART NO. | REQ'D | DESCRIPTION |
| 1 | 3300376 | 1 | STUD-BALL 10MM |
| 2 | 3307503 | 1 | HINGE ENGINE COVER |
| 3 | 3307504 | 2 | SPACER ENGINE COVER HINGE FRAME SIDE |
| 6 | 3308767 | 1 | GAS SPRING-8" STROKE |
| 7 | 3335146 | 1 | HANDLE - RECESSED NYLON INSET (.07-.13 WALL) |
| 8 | 3336780M | 1 | ENGINE COVER 9X, ORANGE |
| 9 | 690129 | 1 | INSULATION - ENG COVER BACK |
| 10 | 690127 | 1 | INSULATION - ENG COVER LH FRONT PANEL |
| 11 | 690128 | 1 | INSULATION - ENG COVER LH BACK PANEL |
| 12 | 690130 | 1 | INSULATION - ENG COVER RT 9X |
| 13 | 690131 | 1 | INSULATION - ENG COVER TOP 9X |
| 14 | 3330356 | 1 | PLUG-PLASTIC HOLE, 3/4, 7 GA |
| 15 | 3307719 | 2 | LATCH-RUBBER SOFT |
| 16 | 711374 | 1 | NUT-HEX 5/16-18 ES |
| 19 | 3500198 | 8.5' | SEAL-TRIM 90 DEG. MOUNT |
| 20 | 3336786M | 1 | SIDE DOOR 9X, ORANGE |
| 21 | 3335437M | 1 | RADIATOR GUARD 9X , ORANGE |
| 22 | 3300380 | 1 | LATCH ASSY-#C2-10-301-50 |
| 23 | 3335015 | 2 | PLATE-STOP, SIDE DOOR, ARMA PLATED |
| 24 | 3300526 | 2 | BUMPER-RUBBER 1/4IDx1/8 THK |
| 25 | 3335174 | 1 | SIDE DOOR STRIKE ARMA |
| 26 | 3307560 | - | SPACER-METAL, 0.060" SIDE DOOR SW/A |
| 27 | 3307513 | 2 | HINGE-SIDE DOOR |
| 28 | 3302482 | 1 | BUMPER-RUBBER, 1.5" DIA, 5/8 THK |
| 29 | 3303204-1 | 1 | TAIL LIGHT - 12V COMBINATION ASSY |

REAR DRIVE ASSEMBLY



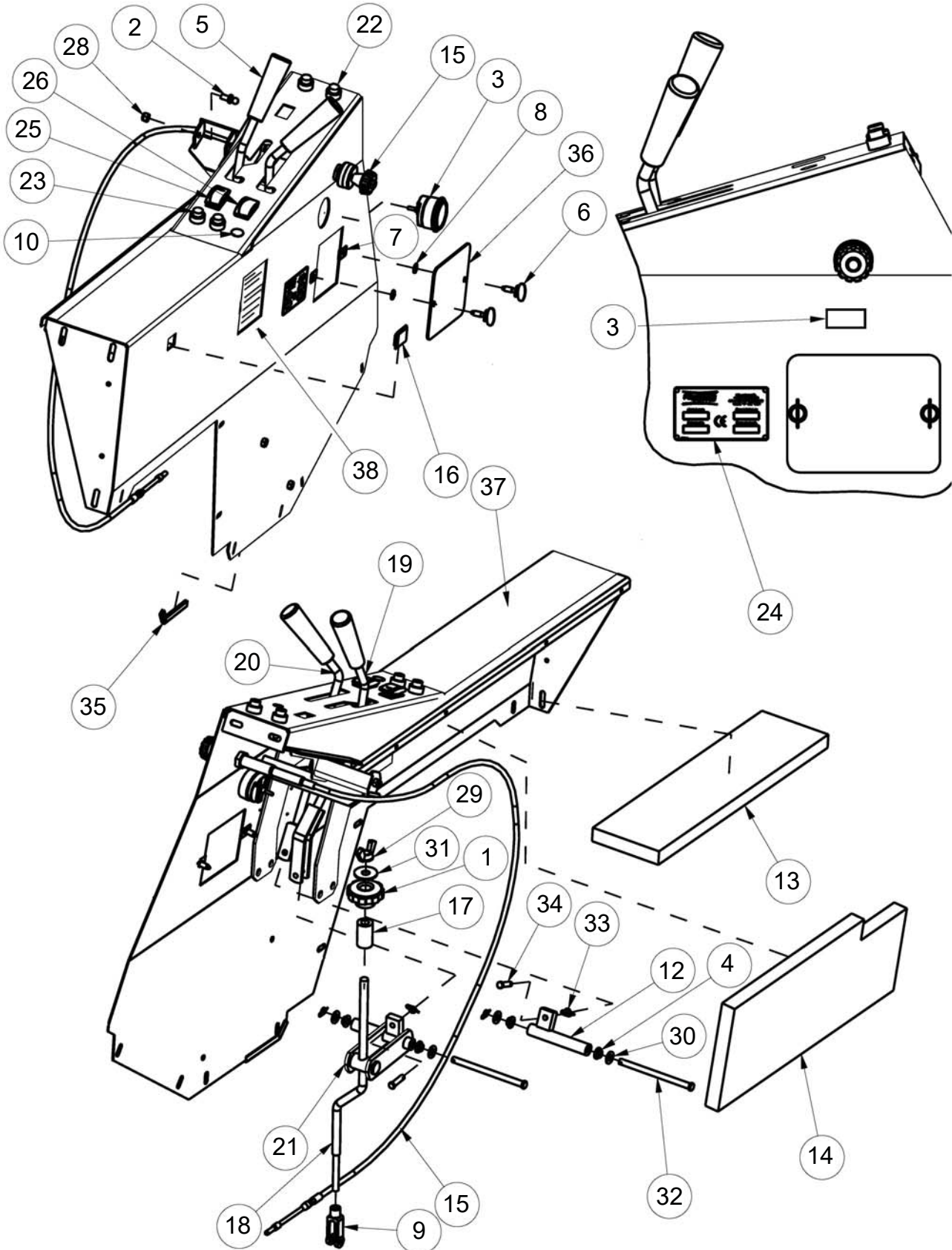
| REAR DRIVE ASSEMBLY | | | |
|---------------------|----------|-------|--|
| ITEM | PART NO. | REQ'D | DESCRIPTION |
| 1 | 600178 | 1 | ROD END FEM 3/4-16 W/ZERK |
| 2 | 600939 | 1 | NUT 3/4-16 JAM |
| 3 | 675501 | 2 | FTG-45 DEG STR ELBOW -10 ORFS TO -12 SAE |
| 4 | 675508 | 1 | FTG-STR THD CONNECTOR -4 ORFS TO -4 SA |
| 5 | 675518 | 2 | FTG-STR THD ELBOW -6 ORFS TO -5 SAE |
| 6 | 690003 | 1 | CYL STEERING FORK |
| 7 | 690025 | 1 | STEERING CYL |
| 8 | 710120 | 2 | SCREW, HHCS, 1/2-13 X 2 GRD 8 |
| 9 | 710121 | 2 | WASHER, NORDLOCK (2PC), 1/2 CARBON STEEL |
| 10 | 710122 | 2 | NUT, 3/4-10, NYLON LOCKING, LOW PROFILE |
| 11 | 711376 | 4 | NUT-NYLOC 1/2-13 |
| 12 | 711380 | 2 | NUT-NYLOC 3/8-16 NUT |
| 13 | 712318 | 2 | WSR- FLAT .75 X 1.12 X .12 PL |
| 14 | 713048 | 2 | BLT-HH 3/8-16 X 2 1/2 #5 |
| 15 | 3300411 | 5 | NUT-WHEEL LUG, 1/2-20 UNF |
| 16 | 3300470 | 2 | BEARING-TAPERED ROL CUP |
| 17 | 3300471 | 2 | BEARING-TAPERED ROLCONE W/SEAL |
| 18 | 3306809 | 1 | MOTOR - HYD, 400 SERIES |
| 19 | 3307021 | 1 | ASSY-TIRE REAR |
| 20 | 3307347 | 1 | HUB-REAR SW/A, BLACK |
| 21 | 3304348 | 5 | STUD - WHEEL, 1/2-20X 1.63 (REAR SW/A) |
| 22 | 3337860 | 1 | SPACER-STEERING FORK |
| 23 | 3400020 | 4 | SCR-HEX, 1/2-13 X 2.00 ZP |
| 24 | 3400120 | 1 | PIN-COTTER 5/32 X 2.00 ZP |
| 25 | 3400223 | 1 | NUT-SLOTTED, 1-20 UNEF |
| 26 | 3400422 | 2 | SCR-HEX, 3/4-10 X 5.00 ZP |
| 27 | 3307349P | 1 | PIN - REAR FORK |
| 28 | 3317370P | 1 | WELDMENT-CYL STEERING MOUNT |
| 29 | REF | 1 | WELDMENT- FRAME, AM9D/9X |

DIRECTIONAL CONTROL LINKAGE ASSEMBLY



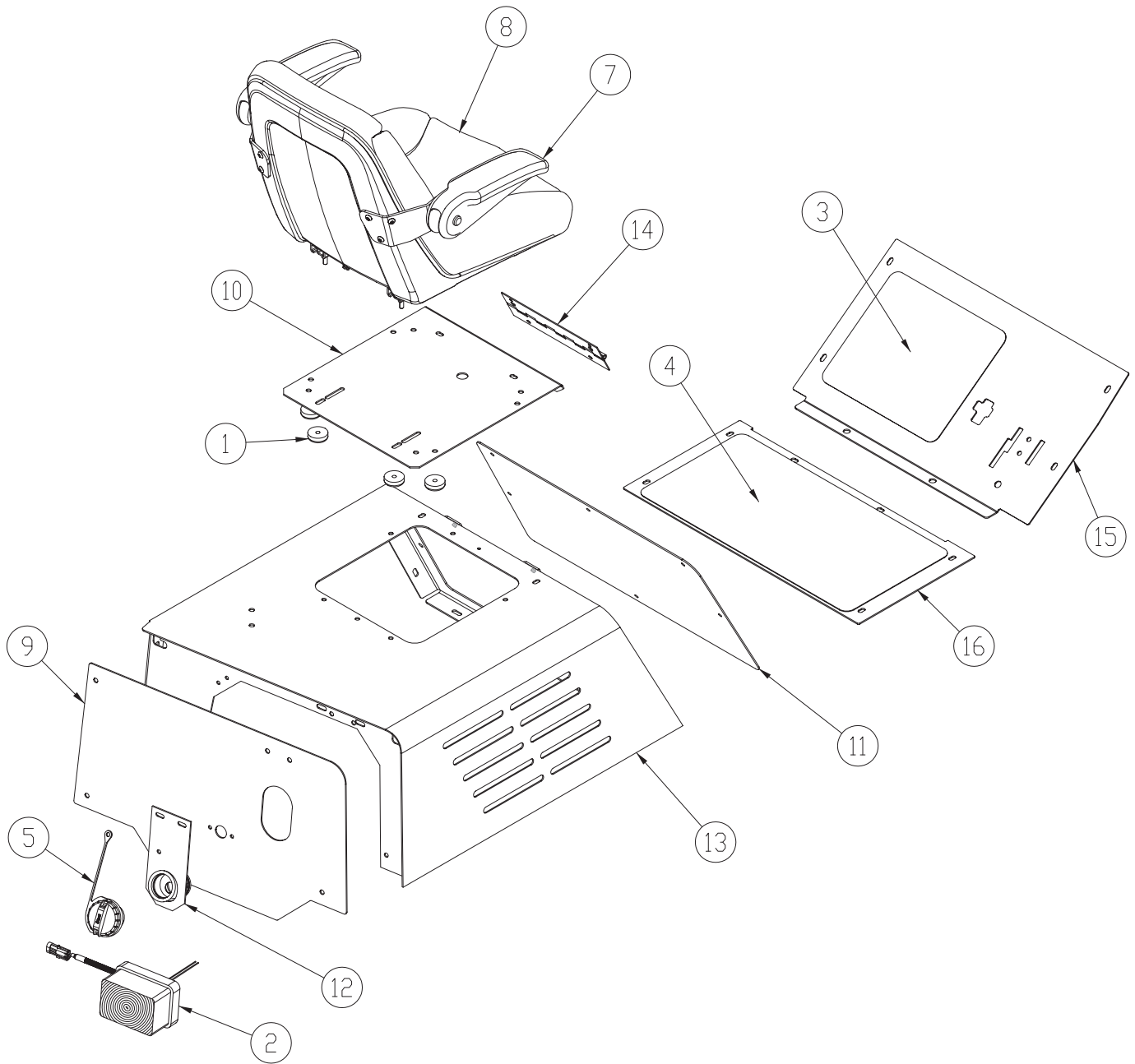
| DIRECTIONAL CONTROL LINKAGE ASSEMBLY | | | |
|--------------------------------------|----------|-------|---------------------------------------|
| ITEM | PART NO. | REQ'D | DESCRIPTION |
| 1 | 3335609 | 1 | PAD-FOOT PEDAL, ANTI-SKID, 2" X 9.5" |
| 2 | 3337390 | 1 | PEDAL - FWD/REV, 1-PC |
| 3 | 3300414 | 2 | BUSHING-PLASTIC FLANGED, .375IDx.50OD |
| 4 | 711681 | 1 | PIN-CLEVIS, 3/8x4 |
| 5 | 3300461 | 2 | BALL JOINT-3/8-24 |
| 6 | 3400075 | 4 | NUT-JAM, 3/8-24 |
| 7 | 3307222 | 1 | ROD-DIRECTIONAL CONTROL, DIESEL |
| 8 | 3307611 | 1 | QUICK RELEASE- FWD/REV |
| 9 | 3307613 | 1 | HANDLE-QUICK RELEASE |
| 10 | 3307938 | 1 | ROD-DIRECTIONAL CONTROL DIESEL |
| 11 | 3307223 | 2 | MOUNT-DIRECTIONAL CONTROL BUSHING |
| 12 | 3307220 | 2 | BUSHING-PLASTIC FLANGED, .76IDx.88OD |
| 13 | 3307215 | 1 | DIRECTIONAL TORQUE TUBE |
| 14 | 3400342 | 4 | NUT-HEX 3/8-24 ES ZP |
| 15 | 3400125 | 1 | PIN-COTTER 3/8 RUE-RING |
| 16 | 3400087 | 1 | WASHER-FLAT 3/8 STANDARD ZP |
| 17 | 3337387P | 1 | FLOOR BOARD - UPPER, AM9D |
| 18 | 3337542 | 1 | ASSY - 9XR FLOORBOARD LEDGE |
| 19 | 3337389 | 1 | MOUNT - FWD/REV PEDAL |

CONSOLE ASSEMBLY



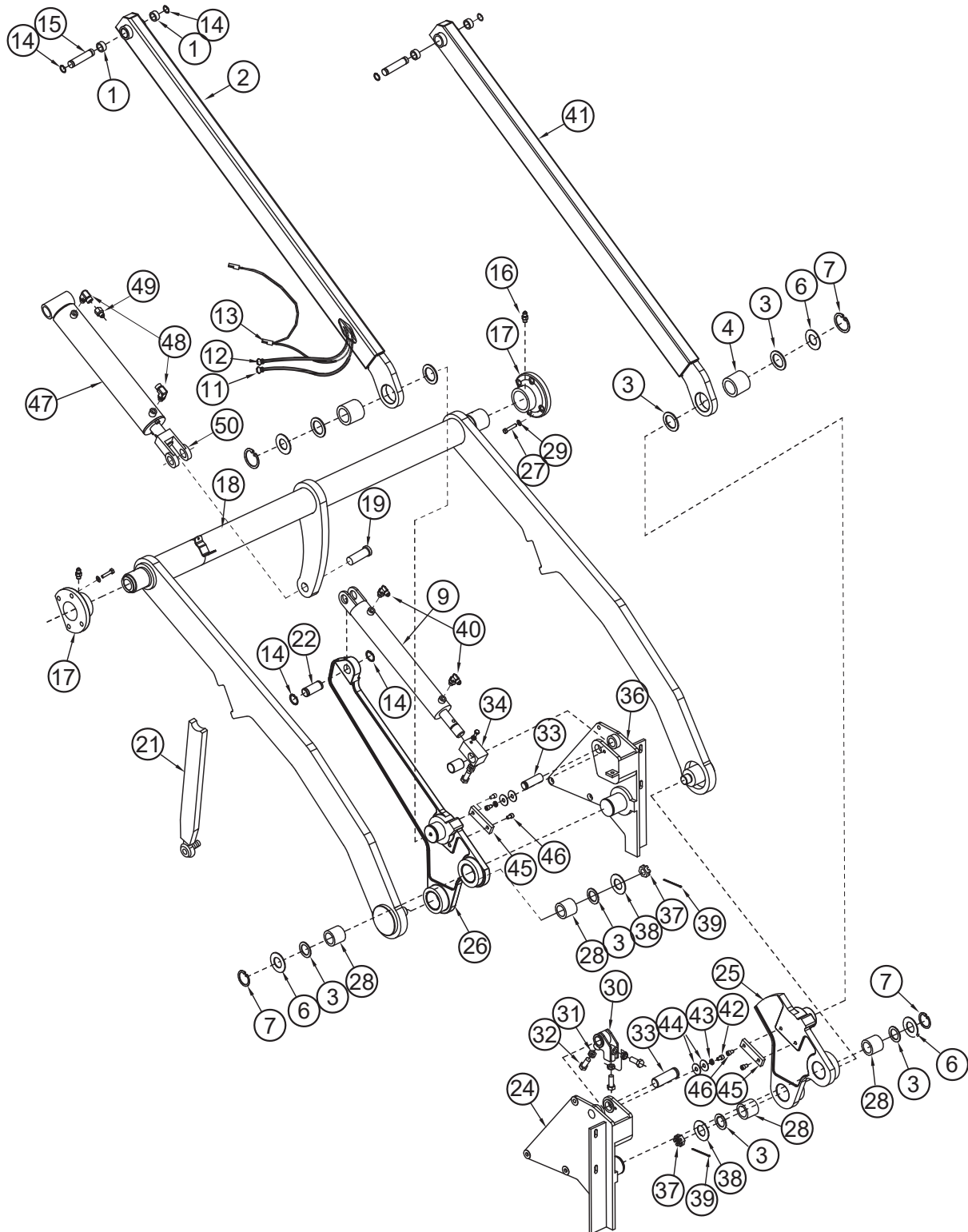
| CONSOLE ASSEMBLY | | | |
|------------------|----------|-------|--|
| ITEM | PART NO. | REQ'D | DESCRIPTION |
| 1 | 3300352 | 1 | KNOB-MB LIFT ADJ |
| 2 | 3300376 | 1 | STUD-BALL, GAS SPRING, 5/16-18 |
| 3 | 3336094 | 1 | GAUGE-HOURMETER, DIGITAL, SNAP (AFTER SN-18168059) |
| 4 | 3300414 | 4 | BUSHING-PLASTIC 3/8IDx1/2OD |
| 5 | 600264 | 2 | HANDLE CONTURED |
| 6 | 3301147 | 2 | SCR-5/16 ACME THD, WING HEAD, |
| 7 | 3301155 | 2 | CLIPNUT-5/16-18 |
| 8 | 711744 | 2 | RETAINER 5/16 PUSH NUT BOLT |
| 9 | 3301447 | 1 | CLEVIS WITH PIN AND COTTER |
| 10 | 3301669 | 1 | PLUG-PLASTIC, 11/16 DIA |
| 12 | 3307614 | 1 | WELD-PIVOT SB LIFT |
| 13 | 3307846 | 1 | INSULATION-CONSOLE TOP |
| 14 | 3307847 | 1 | INSULATION-DRIVER COMP SIDE |
| 15 | 3337966 | 1 | CABLE- THROTTLE (DSL ONLY) |
| 16 | 3323529 | 1 | PLUG-CARLING CONTURA SWITCH |
| 17 | 3333672 | 1 | SPACER-MB LIFT ROD |
| 18 | 3334984 | 1 | ROD-MAIN BROOM, LOWER |
| 19 | 3338296 | 1 | WELD-ROD,MAIN BROOM, UPPER, ZP |
| 20 | 3338297 | 1 | WELD-ROD,SIDE BROOM, UPPER, ZP |
| 21 | 3335112P | 1 | WELD-LIFT ARM, MAIN BROOM, |
| 22 | 3342905 | 1 | ASSY- INDICATOR LIGHT RED W/PACKARDTERMS |
| 23 | 3342905 | 1 | ASSY- INDICATOR LIGHT RED W/PACKARDTERMS |
| 24 | 715731 | 1 | ID PLATE-SERIAL# INFO |
| 25 | 3342705 | 1 | SWITCH-BASE, DPST CONTURA ROCKER |
| 26 | 3343912 | 1 | SW-ROCKER CONTURA DPDT ON-OFF (DSL ONLY) |
| 28 | 711374 | 1 | NUT-NYLOC 5/16-18 |
| 29 | 3400084 | 1 | NUT-WING 1/2-13 |
| 30 | 3400087 | 4 | WASHER-FLAT 3/8 STANDARD ZP |
| 31 | 3400091 | 1 | WASHER-FENDER 1/2 ZP |
| 32 | 3400113 | 4 | PIN-CLEVIS 3/8x5-1/2 ZP |
| 33 | 3400125 | 4 | PIN-COTTER 3/8 RUE-RING |
| 34 | 3400185 | 2 | PIN-CLEVIS 5/16x1-1/4 |
| 35 | 3500118 | | EDGING-VINYL TRIM 1/8" X 250' (Sold Per Foot) |
| 36 | 3307554 | 1 | COVER BROOM ADJ, 9X ORANGE |
| 37 | 3335003M | 1 | CONSOLE, 9X, ORANGE |
| 38 | 3301854 | 1 | DECAL-CAUTION, 5x4.50" (DSL ONLY) |

SEAT, FLOOR PAN & TAIL LIGHT



| SEAT, FLOOR PAN & TAIL LIGHT | | | |
|------------------------------|-----------|-------|-----------------------------------|
| ITEM | PART NO. | REQ'D | DESCRIPTION |
| 1 | 3302482 | 4 | BUMPER-RUBBER, 1.5" DIA, 5/8 THK |
| 2 | 3303204-1 | 1 | TAIL LIGHT - 12V COMBINATION ASSY |
| 3 | 3307587 | 1 | FLOOR MAT-SMALL |
| 4 | 3307588 | 1 | FLOOR MAT-LARGE |
| 5 | 3343413 | 1 | CAP-FUEL TANK |
| 7 | 620239 | 1 | ARM-REST |
| 8 | 620219 | 1 | SEAT STD W SEAT BELT RECEIVERS |
| 9 | 3309716P | 1 | PANEL-REAR COVER, 9X |
| 10 | 3333729P | 1 | MNT-SEAT 9X DARK GRAY |
| 11 | 3333733P | 1 | PLATE-ACCESS SEAT CLIP, 9X |
| 12 | 3335010P | 1 | FUEL FILL, 9X |
| 13 | 3335027M | 1 | CLIP, SEAT 9X, DARK GRAY |
| 14 | 3335033P | 1 | HINGE-UNIVERSAL SEAT MNT, 9X |
| 15 | 3337387P | 1 | FLOOR BOARD - UPPER |
| 16 | 3337388P | 1 | FLOOR BOARD - LOWER |

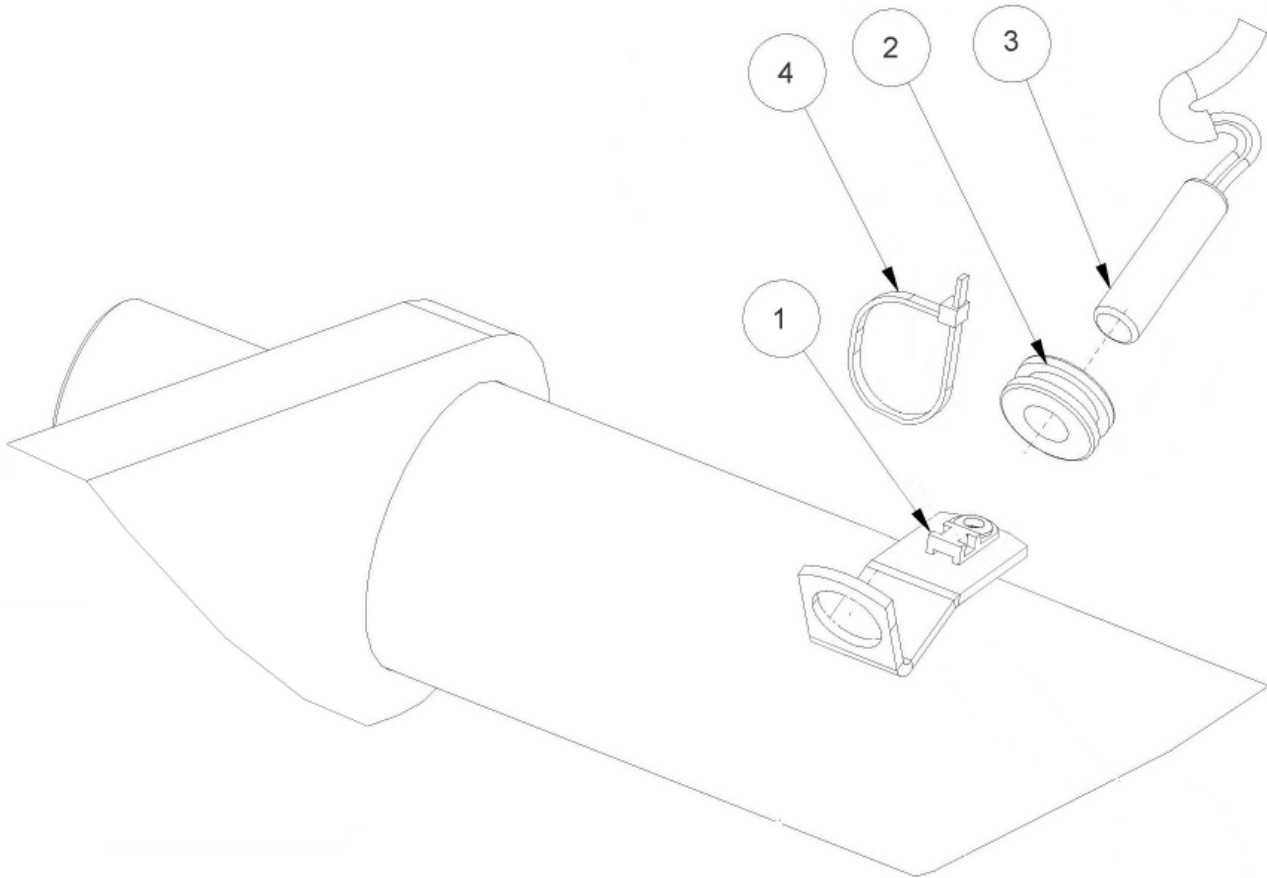
LIFT & ROTATION CYLINDERS, HYDRAULIC HOSES



LIFT & ROTATION CYLINDERS, HYDRAULIC HOSES

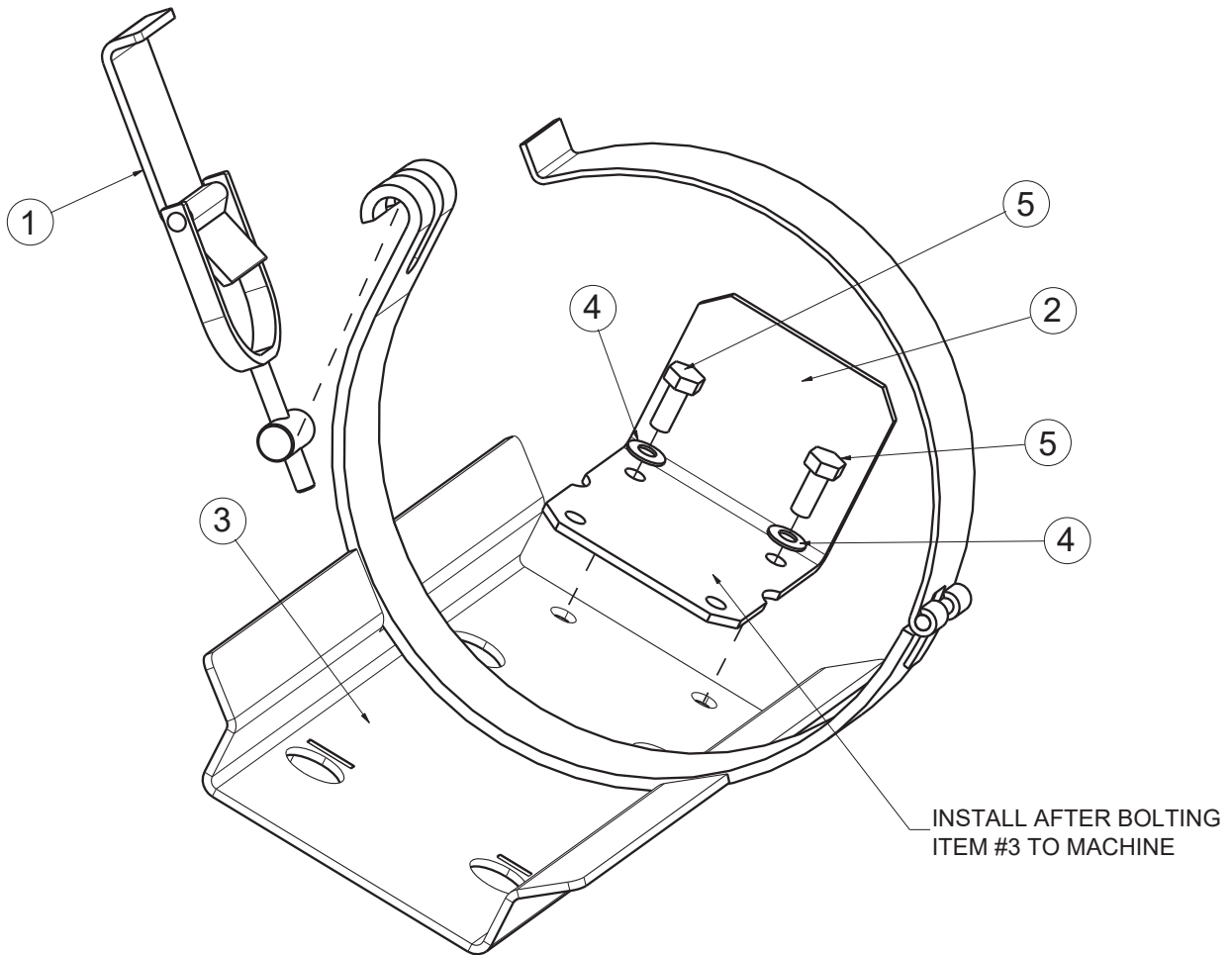
| ITEM | PART NO. | REQ'D | DESCRIPTION |
|------|------------|-------|--|
| 1 | 3300837 | 4 | BEARING-1.12 ODx1.00 IDx.75 |
| 2 | 3334551P | 1 | LIFT ARM-UPPER RH 9X |
| 3 | 3400177 | 8 | BEARING-THRUST 2.06 IDx3.25 OD |
| 4 | 3300836 | 2 | BEARING-2.18 ODx2.00 IDx.75 |
| 6 | 3300882 | 4 | WASHER-HD 3.25 ODx2.00 ID |
| 7 | 3301709 | 4 | RING-RETAINING, EXT 2.00 DIA |
| 9 | 3316890 | 1 | CYLINDER-HYD, ROTATION HOPPER LIFT |
| 11 | 675420 | 1 | HYD HOSE - NEED VALVE TO ROT CYL |
| 12 | 675421 | 1 | HYD HOSE - ROT CYL TO CONT VALVE |
| 13 | 3336963P | 1 | HARNES - LIFT ARM |
| 14 | 3301998 | 6 | RING-RETAINING, EXT .940 DIA |
| 15 | 3307430 | 2 | PIN-UPPER LIFT ARM, .998 DIA, |
| 16 | 3400012 | 2 | FTG-GREASE 3/16 |
| 17 | 3307605 | 2 | ASSEMBLY-DUMP ARM MOUNT |
| 18 | 3307305M | 1 | LIFT ARM-HOPPER 9X DARK GRAY |
| 19 | 3335285 | 1 | PIN, LIFT CYL, ROD END |
| 21 | 3343821 | 1 | ASSY- SAFETY ARM W/ BALL JOINT |
| 22 | 3307607 | 1 | PIN-ROTATION CYL, .998 DIA, |
| 24 | 3335361 | 1 | PIVOT-HOPPER LH |
| 25 | 3332416 | 1 | ARM-ROTATION (W/PRESSED BEARINGS #28) |
| 26 | 3307074 | 1 | ARM-HOPPER ROTATION (W/PRESSED BEARINGS #28) |
| 27 | 712162 | 8 | SCREW, SHCS 7/16-14 X 1-1/2 STEEL ZINC |
| 28 | 3300840 | 4 | BEARING-2.18 ODx2.00 IDx1.50 |
| 29 | 3401570-11 | 8 | WASHER-NORD-LOCK, 7/16, ZP |
| 30 | 3336997 | 1 | WELD - HOPPER ROTATE STOP |
| 31 | 3400449 | 3 | NUT-HEX JAM 1/2-20 ES |
| 32 | 3400326 | 3 | SCR-HH 1/2-20X1.25 GR 5 ZP |
| 33 | 3307606 | 1 | PIN-FRONT ROTATION CYL, .998 DIA, |
| 34 | 3317119 | 1 | ASSY- BLOCK ROTATION RH |
| 36 | 3317364 | 1 | PIVOT-HOPPER RH |
| 37 | 3400076 | 2 | NUT-HEX JAM SLOTTED, 1-14 |
| 38 | 3300879 | 2 | WASHER-HD 3.25 ODx1.00 ID |
| 39 | 3400122 | 2 | PIN-COTTER 1/8 X 2.00 ZP |
| 40 | 675507 | 2 | FTG-STR THD ELBOW -4 ORFS TO -4 SAE |
| 41 | 3334454P | 1 | LIFT ARM-UPPER LH 9X |
| 42 | 3400219 | 2 | SCR-SOC,5/16-18X0.50 ZP |
| 43 | 3400102 | 2 | WASHER-LOCK 5/16 SPLIT ZP |
| 44 | 3400278 | 4 | WASHER-FENDER 3/8 ZP |
| 45 | 3321377 | 2 | TOP-ROTATION CYL MNT ARMA |
| 46 | 711239 | 4 | SCR-HEX 3/8-16 X 1.00 GR8 ZP |
| 47 | 3307243 | 1 | ASSY, CYLINDER-HYD HOPPER LIFT |
| 48 | 675518 | 2 | FTG-STR THD ELBOW -6 ORFS TO -5 SAE |
| 49 | 675550 | 4 | FITTING ORIFICE .047 #6 |
| 50 | 3339955 | 1 | CLEVIS-LIFT ARM 1.0 DIA. PIN 1.00-14 TD |

RTR SWITCH DETAIL LIFT ARM



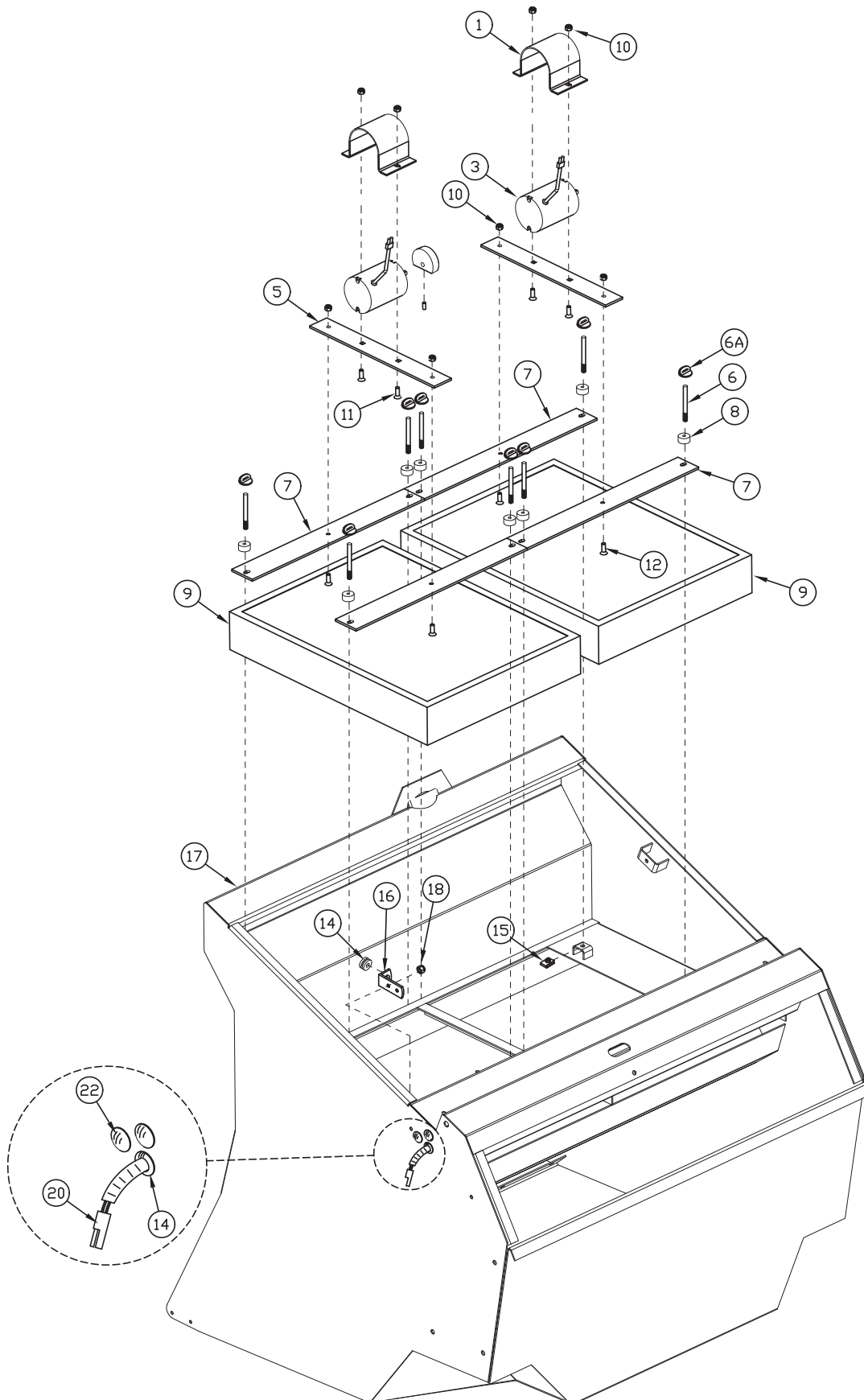
| RTR SWITCH DETAIL LIFT ARM - 3336961 | | | |
|---|-----------------|--------------|----------------------------------|
| ITEM | PART NO. | REQ'D | DESCRIPTION |
| 1 | 3302472 | 1 | MOUNT-WIRE TIE LOW PROFILE |
| 2 | 3311564 | 1 | GROMMET-RUBBER, 1/2 ID |
| 3 | 3336963P | 1 | HARNESS - LIFT ARM, ARMA TIER II |
| 4 | 828062-B | 1 | TIE-WIRE BLACK |

LPG MOUNT ASSEMBLY



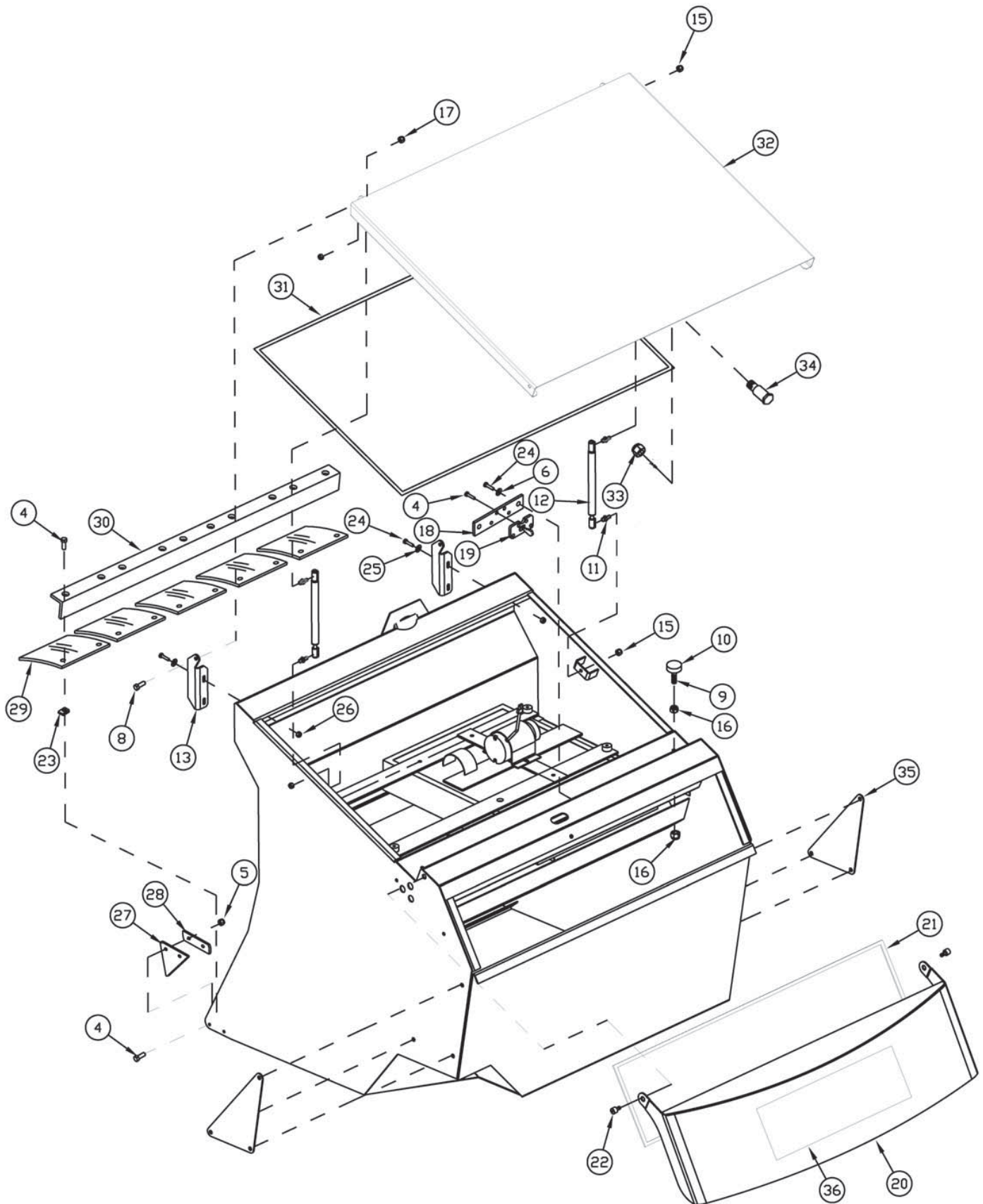
| LPG MOUNT ASSEMBLY | | | |
|--------------------|----------|-------|--|
| ITEM | PART NO. | REQ'D | DESCRIPTION |
| 1 | 220131 | 1 | BUCKLE |
| 2 | 600461-1 | 1 | LPG MNT, STOP |
| 3 | 690157 | 1 | ASSY, LPG TANK MOUNT - 9X |
| 4 | 3400385 | 2 | WASHER-CONICAL SPRING 3/8 |
| 5 | 711253 | 2 | BLT-CARR 3/8-16 X 1.00 ZP GR 5 |
| ** | 3335376 | 1 | HOSE - 5/16 LP 90.0 SAE 45 ST#6 ST#6 (NOT SHOWN) |
| ** | 675629 | 1 | HOSE, 3/8 AR 34.5 JIC 45 ST#6 ST#6 (NOT SHOWN) |

HOPPER - FILTER AND SHAKER MOTOR COMPONENTS



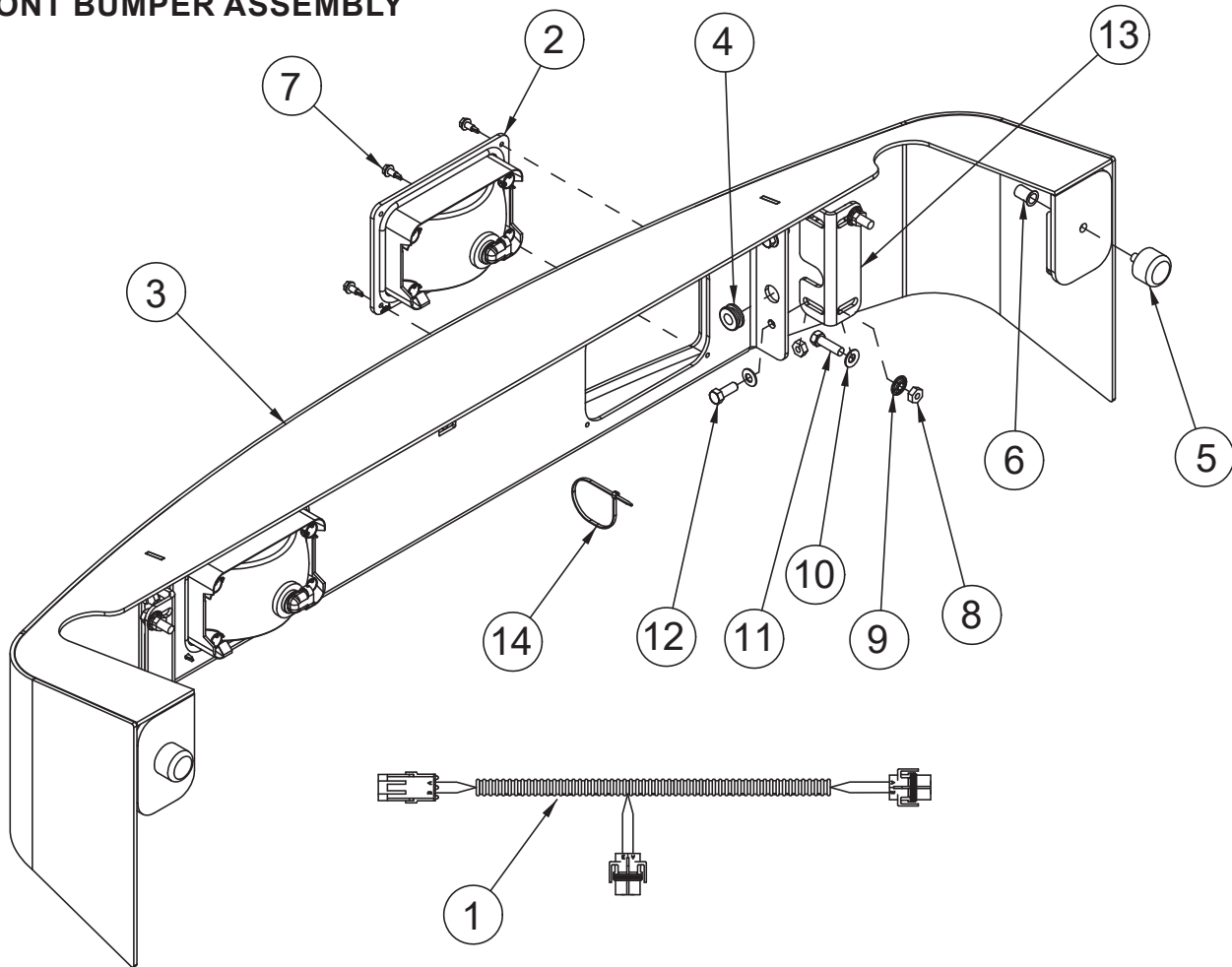
| HOPPER - FILTER AND SHAKER MOTOR COMPONENTS | | | |
|--|-----------------|--------------|---|
| ITEM | PART NO. | REQ'D | DESCRIPTION |
| 1 | 750073 | 2 | BRACKET SHAKER MOTOR |
| 3 | 748149-1 | 2 | ASSY, SHAKER MOTOR W/CONNECTOR |
| 5 | 3300917 | 2 | BAR-FILTER RETAINER |
| 6 | 3334676 | 8 | ROD-5/16-18x4.63, FILTER TIE DOWN |
| 6A | 3334678 | 8 | NUT-WING 5/16-18 NYLON INSERT |
| 7 | 3300919 | 4 | BAR-FILTER SHAKER |
| 8 | 3307850 | 8 | ISOLATOR-RUBBER, .25IDx1ODx.50THK, SW/A |
| 9 | 3334070 | 2 | FILTER-POLYESTER HOPPER 9XR (31x24x3.19) |
| 10 | 711374 | 8 | NUT-NYLOC 5/16-18 |
| 11 | 70-516-16 | 4 | BLT-CARR 5/16-18 X 1 ZINC |
| 12 | 3400329 | 4 | SCR-FLT,5/16-18X.75,SLT ZP |
| 14 | 3311564 | 3 | GROMMET-RUBBER, 1/2 ID |
| 15 | 832829 | 8 | NUT-U TYPE 5/16-18 |
| 16 | 3336778 | 1 | BRACKET- FOR SWITCH BALL (# 2 RTR LIGHT) |
| 17 | 3307440M | 1 | HOPPER 9X, DUAL FILTER, ORANGE |
| 18 | 3400484 | 1 | RIVET-AVDEL 3/16 X .602 |
| 20 | 3336964P | 1 | HARNESS - HOPPER, ARMA |
| 22 | 3330356 | 2 | PLUG-PLASTIC HOLE, 3/4, 7 GA |

HOPPER - COVER AND LATCH COMPONENTS

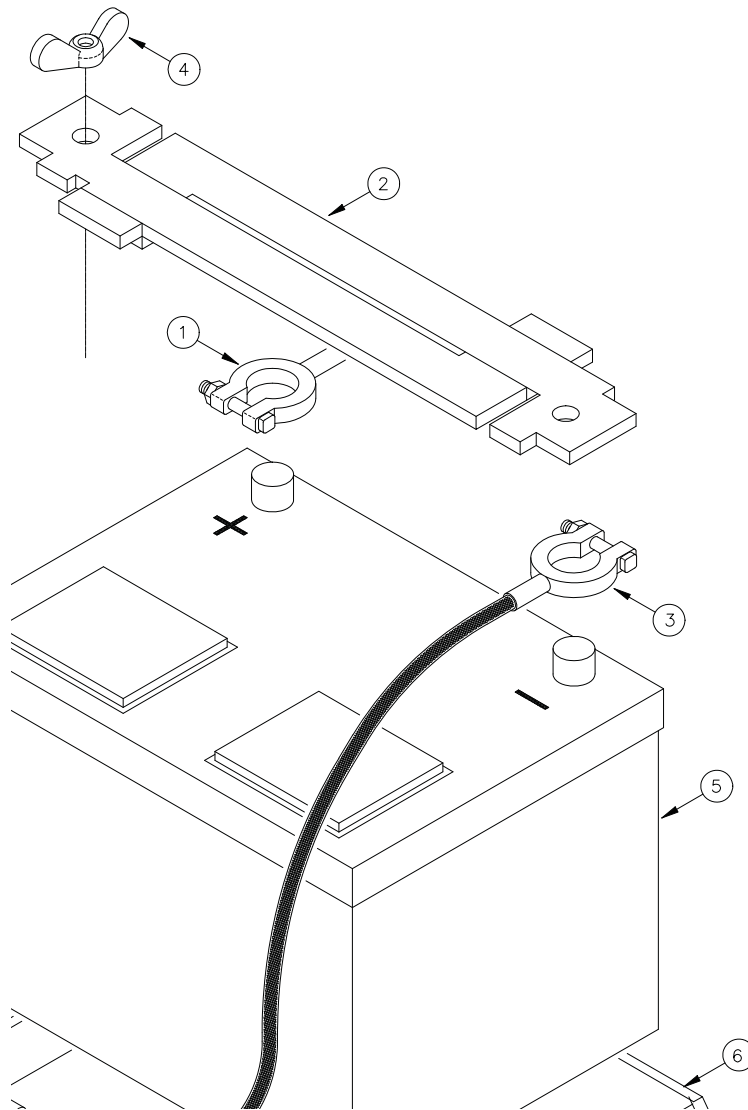


| HOPPER - COVER AND LATCH COMPONENTS | | | |
|-------------------------------------|----------|-------|--|
| ITEM | PART NO. | REQ'D | DESCRIPTION |
| 4 | 3400059 | 20 | SCR-THM 1/4-20 X .75 SS |
| 8 | 3400052 | 2 | SCR-SHOULDER 5/16 DIA X 1/4 ZP |
| 9 | 3400355 | 2 | SCR-LEVEL BOLT, 3/8-16x2.50 |
| 10 | 3304624 | 2 | CAP-RUBBER BUMPER, (USED WITH #10 ABOVE) |
| 11 | 3300376 | 4 | STUD-BALL, GAS SPRING, 5/16-18 THRD, .391 DIA. |
| 12 | 3305006 | 2 | SPRING-GAS 5" STROKE, 14.5" EXTENDED (100 LBF) |
| 13 | 3307469 | 2 | HINGE-FILTER COVER, , |
| 15 | 3400070 | 4 | NUT-HEX 5/16-18 ZP |
| 16 | 711439 | 2 | NUT-FLANGED WIZZ 3/8-16 |
| 17 | 3401021 | 2 | NUT-HEX ELASTIC JAM 1/4-20 #8 ZP |
| 18 | 3307468 | 1 | BAR-FILTER LATCH, , |
| 19 | 3307247 | 1 | LATCH-RH BROOM DOOR |
| 20 | 3316862M | 1 | LID-HOPPER 9X ORANGE |
| 21 | 3318739 | 120" | WEATHERSTRIPPING-RUBBER SPONGE |
| 22 | 3400170 | 2 | SCR-HSS 1/2x.31, |
| 23 | 3301146 | 10 | CLIPNUT-1/4-20 ZP |
| 24 | 3400059 | 4 | SCR-THMS 1/4-20 X .75 SS SLOTTED |
| 25 | 3400384 | 4 | WASHER-CONICAL SPRING 5/16 |
| 26 | 711379 | 4 | NUT-FLANGED WIZZ 5/16-18 |
| 27 | 3307842 | 2 | FLAP-HOPPER SIDE |
| 28 | 3307843 | 2 | RETAINER-FLAP HOPPER SIDE |
| 29 | 3307720 | 5 | FLAP-HOPPER FRONT |
| 30 | 3307721 | 1 | RETAINER-HOPPER FLAP |
| 31 | 3500198 | 134" | SEAL-TRIM 90 DEG. MOUNT |
| 32 | 3307460M | 1 | HOOD-HOPPER 9X, ORANGE |
| 33 | 3400394 | 1 | NUT-FLANGE LOCK 7/16-14 |
| 34 | 3338592 | 1 | BOLT-STRIKER .675 (17.1mm) DIA. |
| 35 | 3307743 | 2 | PLATE HOPPER BACKING |
| 36 | 3334900 | 1 | DECAL-"POWERBOSS" LOGO |

FRONT BUMPER ASSEMBLY

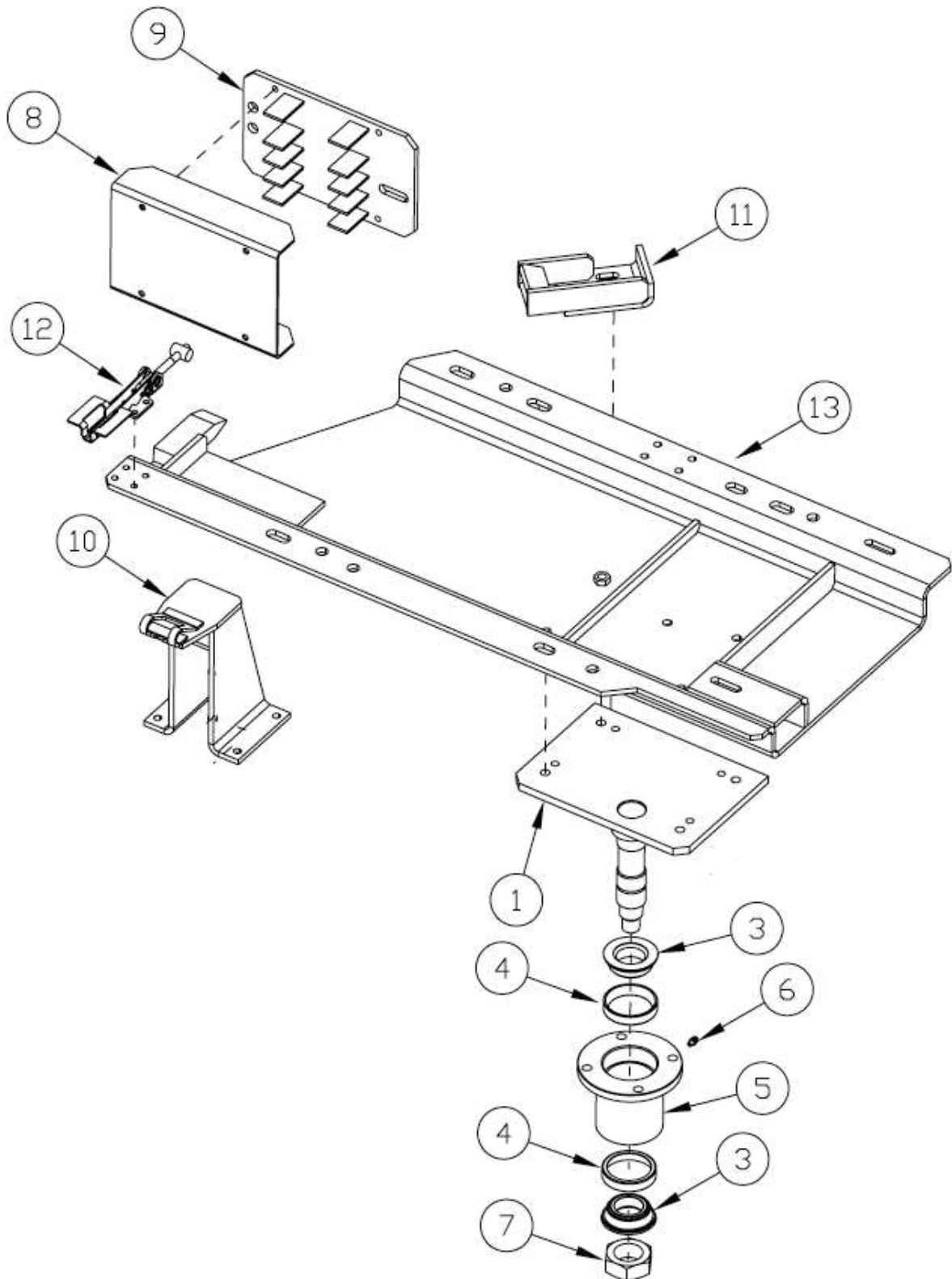


| FRONT BUMPER ASSEMBLY | | | |
|-----------------------|----------|-------|--|
| ITEM | PART NO. | REQ'D | DESCRIPTION |
| 1 | 3335094 | 1 | HARNES-FRONT BUMPER HEADLIGHT |
| 2 | 3315839 | 2 | HEADLIGHT-HALOGEN 12V, FLUSH MOUNT |
| - | 3315869 | - | BULB-HALOGEN REPLACEMENT (NOT SHOWN) |
| 3 | 3316865M | 1 | BUMPER-FRONT, AM9D DARK GRAY |
| 4 | 3311564 | 1 | GROMMET-1/2" ID RUBBER |
| 5 | 3316871 | 2 | BUMPER-RUBBER, 1.50" DIA |
| 6 | 3322186 | 2 | INSERT-3/8-16 UNC |
| 7 | 3311374 | 6 | SCR-HEX,1/4-14X3/4 SELF TAP |
| 8 | 711439 | 8 | NUT-FLANGED WIZZ 3/8-16 |
| 9 | 3316981 | 2 | RETAINER, PUSHNUT, 3/8 BOLT, 25/32 OD ZP |
| 10 | 3400385 | 8 | WASHER-CONICAL SPRING 3/8 |
| 11 | 711250 | 4 | BLT-HH 3/8-16 X 1.25 STL ZINC |
| 12 | 3400030 | 4 | SCR-HEX,3/8-16X1.00, GRADE 5, ZP |
| 13 | 3337303P | 2 | PLT-MOUNT, BUMPER, AM9D |
| 14 | 828062-B | 1 | CABLE TIE-LARGE (BLACK) |

BATTERY COMPONENTS


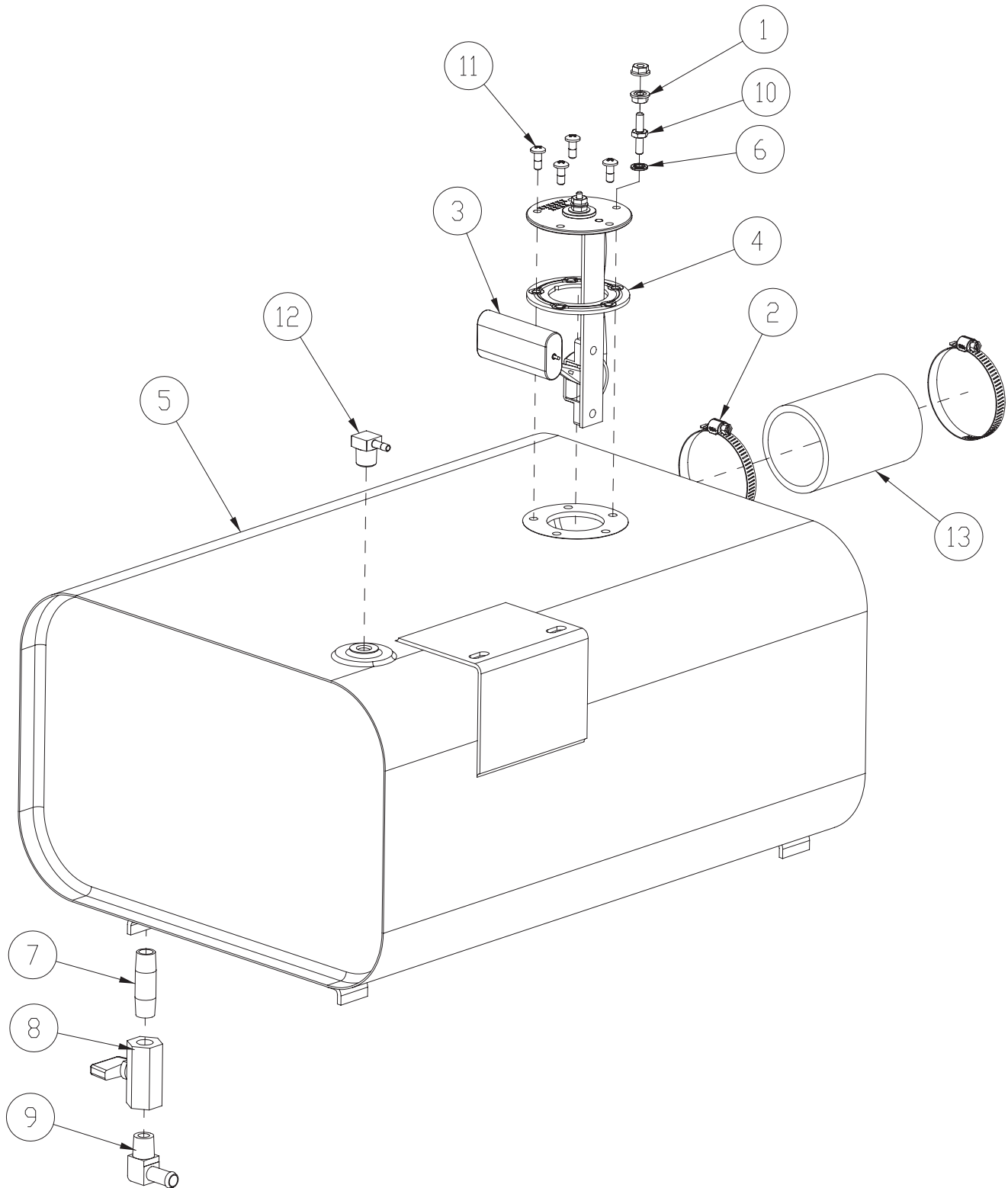
| BATTERY COMPONENTS | | | |
|--------------------|----------|-------|--|
| ITEM | PART NO. | REQ'D | DESCRIPTION |
| 1 | 3307939 | 1 | CABLE-BATTERY POSITIVE DIESEL ENGINE |
| 2 | 3301076 | 1 | HOLD DOWN-BATTERY 2-PIECE |
| 3 | 3307634 | 1 | CABLE BATTERY NEGATIVE |
| 4 | 3400085 | 2 | NUT-WING 1/4-20 |
| 5 | 3300440 | 1 | BATTERY-GAS/LP/DIESEL, 12V, 650 CCA, 125 MIN RESERVE |
| 6 | 3321296 | 1 | WELD-BATTERY BOX |

ENGINE PAN, HYDRAULIC HOSE RETAINER & LATCH



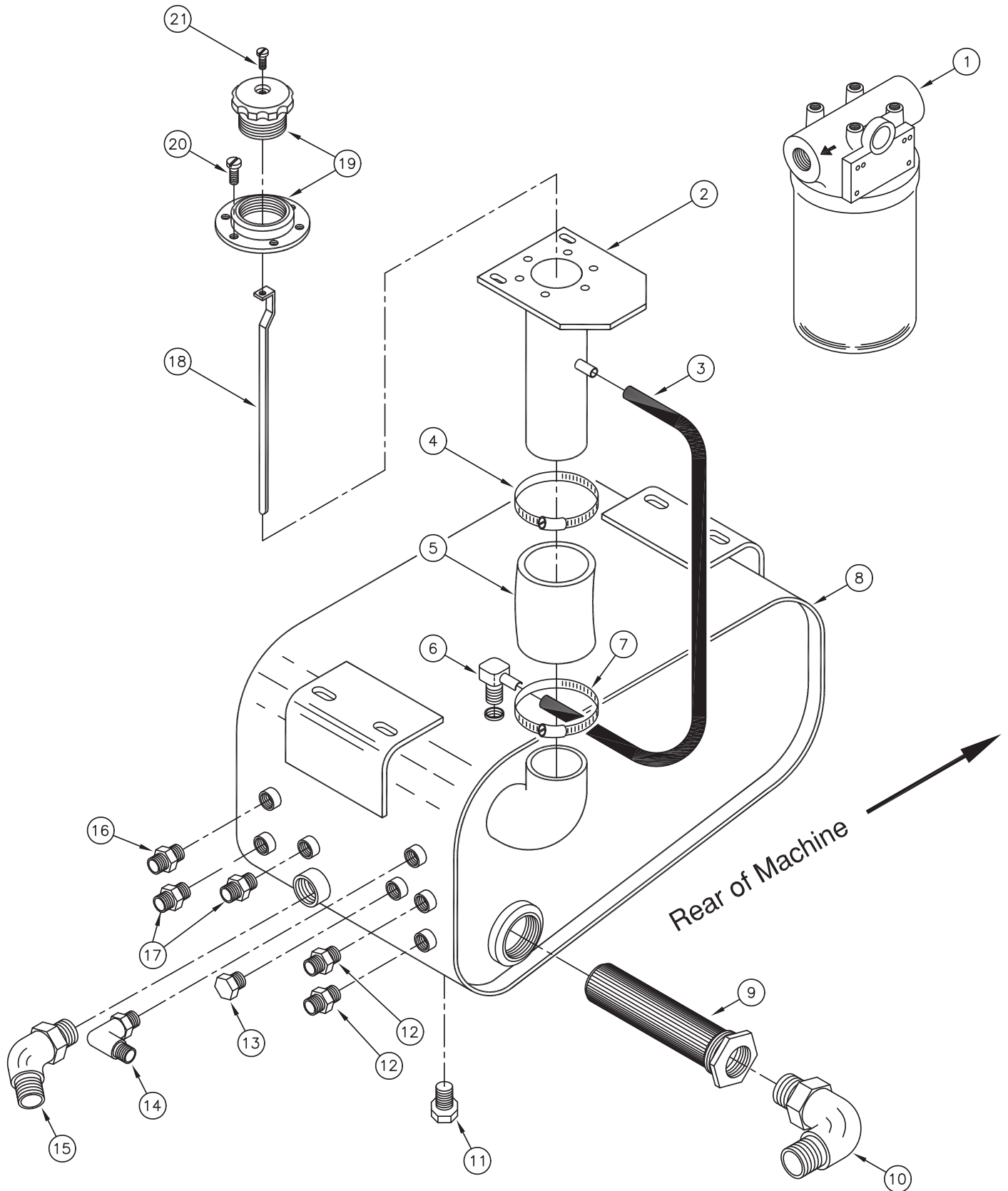
| ENGINE PAN, HYDRAULIC HOSE RETAINER & LATCH | | | |
|---|----------|-------|--------------------------------|
| ITEM | PART NO. | REQ'D | DESCRIPTION |
| 1 | 3334951 | 1 | WELDMENT-ENGINE PIVOT |
| 3 | 3300471 | 1 | BEARING-TAPERED ROLCONE W/SEAL |
| 4 | 3300470 | 1 | BEARING-TAPERED ROL CUP |
| 5 | 3307326 | 1 | BEARING MOUNT-ENGINE PIVOT |
| 6 | 3400012 | 1 | FTG-GREASE, ϕ 3/16 |
| 7 | 3400083 | 1 | NUT-HEX JAM, 1 1/4-12 ES |
| 8 | 3333303 | 1 | COVER-HOSE RETAINER SHORT |
| 9 | 3333302 | 1 | HOSE RETAINER SW/A |
| 10 | 3335208 | 1 | WELDMENT-ENGINE CATCH OUTER |
| 11 | 3335183 | 1 | WELDMENT-ENGINE CATCH INNER |
| 12 | 3337544 | 1 | LATCH - ENGINE SWING |
| 13 | 3334994M | 1 | WELD-ENGINE PAN, |

FUEL TANK GASOLINE AND DIESEL



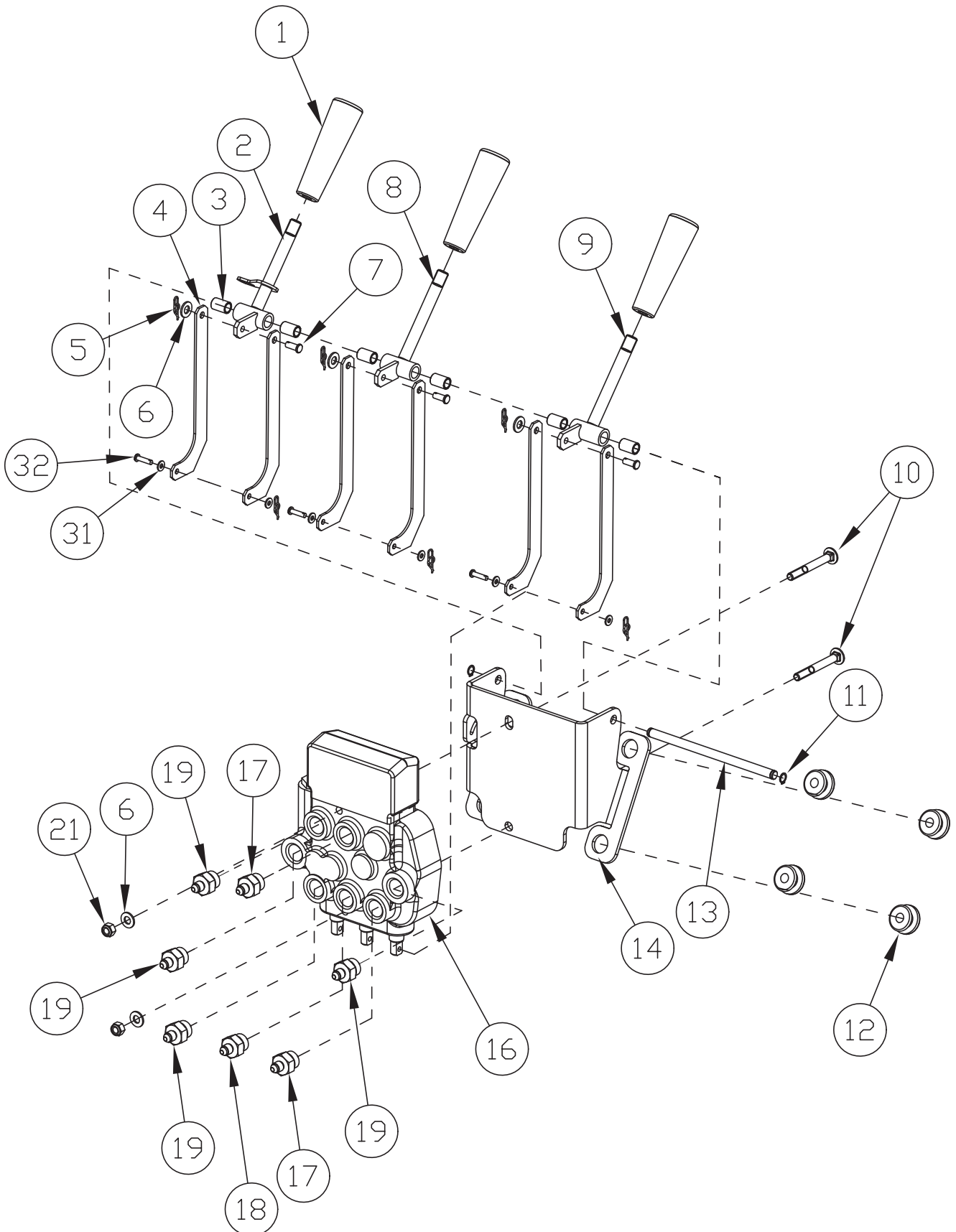
| FUEL TANK GASOLINE AND DIESEL | | | |
|-------------------------------|----------|-------|---|
| ITEM | PART NO. | REQ'D | DESCRIPTION |
| 1 | 711427 | 2 | NUT-FLANGED WIZZ 10-32 |
| 2 | 3044112 | 2 | CLAMP-HOSE, SS, 2.50 MAX |
| 3 | 3300388 | 1 | SENDER-FUEL SHORT (5 INCH) |
| 4 | 811023 | 1 | GASKET, SENDER |
| 5DSL | 3307575 | 1 | TANK-FUEL, 7.64 US GAL, |
| 5GAS | 3335055 | | FUEL TANK - GAS ARMA |
| 6 | 3337019 | 1 | SEAL - #10 BONDED NITRILE WASHER |
| 7 | 3400498 | 1 | FTG-BRASS NIPPLE, 1/4 NPTx2.0 LG |
| 8 | 3400499 | 1 | VALVE-MINATURE 1/4 FPT BALL |
| 9DSL | 3400793 | 1 | FTG-90 3/8 BARBx1/4 NPT |
| 9GAS | 3336095 | | FTG-FUEL HOSE BARB |
| 10 | 3401579 | 1 | SCR - HEX STANDOFF, 2X 10-32X.50 LG |
| 11 | 3401636 | 4 | SCR, PPH, 10-32 X .50, W/O-RING 18-8 SS |
| 12DSL | 3402022 | 1 | FTG-90 1/4 MPT X 1/4 HOSE BARB |
| 12GAS | 3401445 | | FTG-HOSE BARB 90? 5/16 X 1/4 NPT |
| 13 | 3500221 | 1 | HOSE-2" ID STRAIGHT RAD. |
| 14 | 3307731 | 1 | FUEL TANK STRAP (NOT SHOWN) |

HYDRAULIC RESERVOIR ASSEMBLY



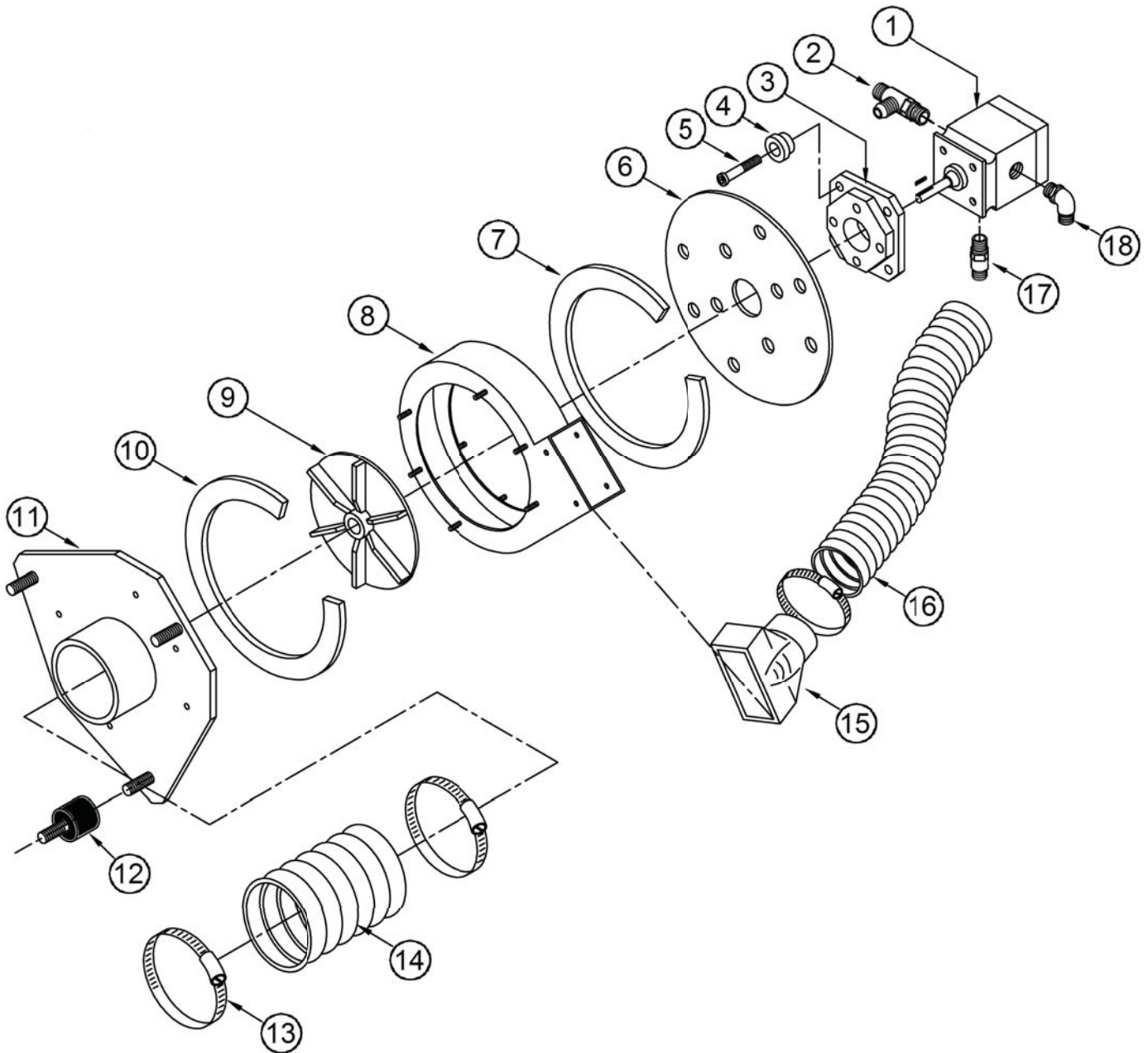
| HYDRAULIC RESERVOIR ASSEMBLY | | | |
|------------------------------|----------|-------|---|
| ITEM | PART NO. | REQ'D | DESCRIPTION |
| 1 | 3300358 | 1 | SUB-HYD FILTER SW/9X (FILTER, MOUNT & FITTINGS) |
| - | 3300359 | 1 | FILTER-HYDRUALIC OIL (FILTER ONLY) |
| - | 3304899 | 1 | FTG-ADAPTER, 3/4-16 TO 1/2 OD TUBE (NOT SHOWN) |
| - | 3400167 | 1 | FTG-ADAPTER, 1 1/6-12 EXT TO (NOT SHOWN) |
| - | 3400632 | 1 | FTG-ADAPTER, RUN TEE 1-1/16-12 (NOT SHOWN) |
| - | 3400636 | 1 | FTG-ADAPTER, SWIVEL NUT 90° ELBOW (NOT SHOWN) |
| 2 | 3310072 | 1 | WELDMENT-HYD FILL TUBE |
| 3 | 3500137 | 1 | HOSE-1/8 ID EEC-PCV |
| 4 | 3044112 | 1 | CLAMP-HOSE, SS, 2.50 MAX WORM |
| 5 | 3303577 | 1 | HOSE-RUBBER, 2.00IDx3.50 LG |
| 6 | 3307778 | 1 | FTG-90° 1/8MPTx1/4 BARB |
| 7 | 3044112 | 1 | CLAMP-HOSE, SS, 2.50 MAX WORM |
| 8 | 3335527 | 1 | RESERVOIR-HYDRAULIC, 7.5 US GA |
| 9 | 3343836 | 1 | STRAINER-HYDRAULIC TM-14 |
| 10 | 675506 | 1 | FTG-STR THD ELBOW -16 ORFS TO -20 SAE |
| 11 | 3400164 | 1 | FTG-PLUG 3/4-16 O RING |
| 12 | 675524 | 2 | FTG-STR THD CONNECTOR -8 ORFS TO -8 SA |
| 13 | 3400453 | 1 | FTG-PLUG 9/16-18 O-RING STEEL |
| 14 | 675510 | 1 | FTG-STR THD CONNECTOR -5 ORFS TO -4 SA |
| 15 | 675504 | 1 | FTG-45 DEG STR ELBOW -12 ORFS TO -16 SA |
| 16 | 675519 | 1 | FTG-STR THD CONNECTOR -6 ORFS TO -5 SA |
| 17 | 675510 | 2 | FTG-STR THD CONNECTOR -5 ORFS TO -4 SA |
| 18 | 3307580 | 1 | DIPSTICK-HYD RESEVOIR |
| 19 | 3305576 | 1 | ASSEMBLY-HYD OIL FILTER BREATHER |
| 20 | 3400044 | 6 | SCR-HEX,#10-32X0.75 |
| 21 | 3400045 | 1 | SCR-PAN,#8-32X0.62,SLT |

HYDRAULIC CONTROL VALVE DETAIL



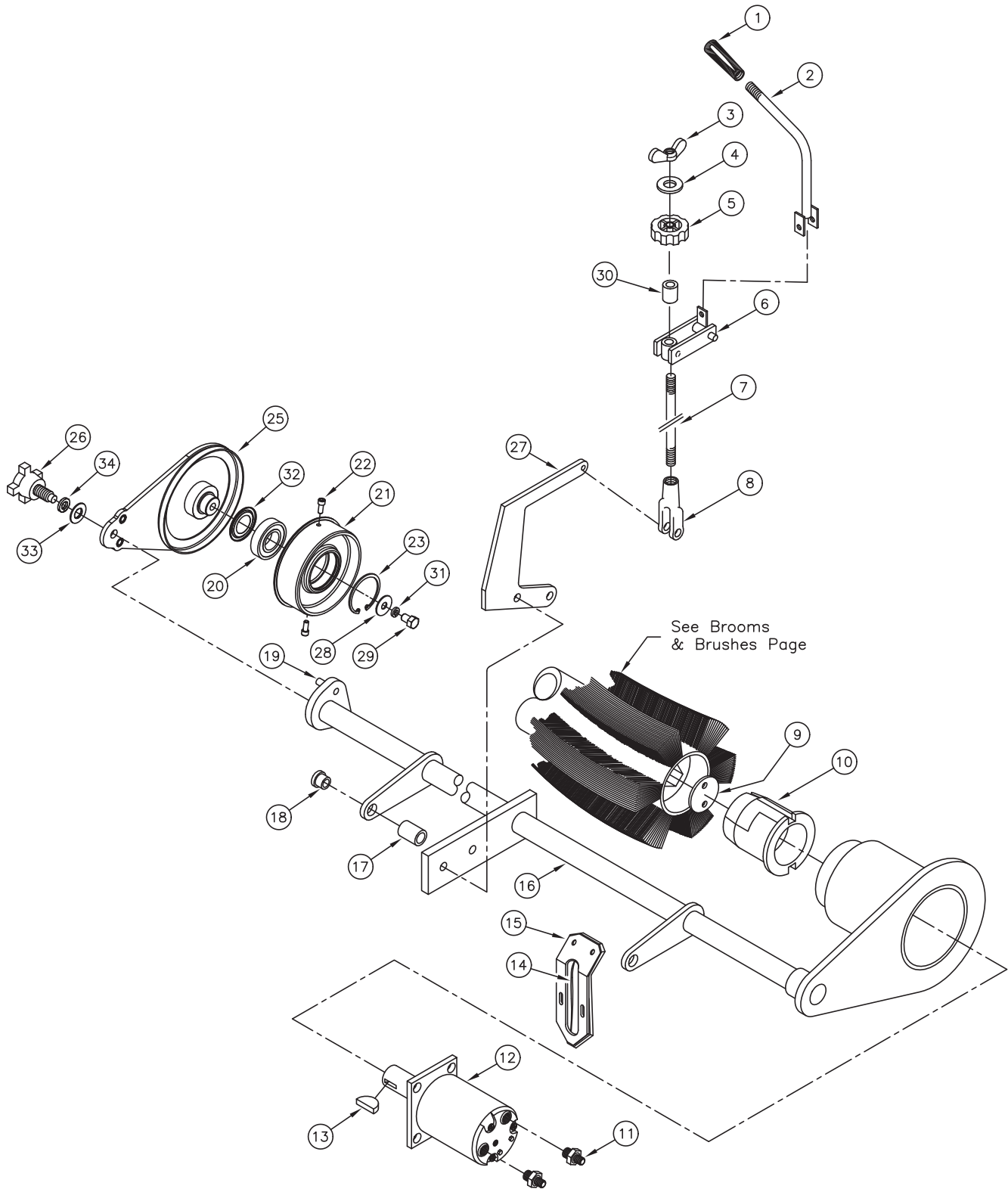
| HYDRAULIC CONTROL VALVE DETAIL | | | |
|--------------------------------|----------|-------|--|
| ITEM | PART NO. | REQ'D | DESCRIPTION |
| 1 | 600263 | 3 | KNOB-PLASTIC TAPERED #145 BLACK |
| 2 | 3338603 | 1 | WELD - HANDLE CONT VLV 3 PLTD |
| 3 | 3303996 | 6 | BEARING-PLASTIC 1/2X3/8X.75 LG |
| 4 | 3338456P | 6 | LINK-HYD VLV SW/A PLTD |
| 5 | 3400125 | 6 | RUE RING-1/4 HEAVY ZP |
| 6 | 3400088 | 5 | WASHER-FLAT 5/16 IDx.688 ODx.065 THK |
| 7 | 3400425 | 3 | PIN-CLEVIS 1/4 X 5/8 ZP |
| 8 | 3338458 | 1 | HANDLE CONT VLV 2 PLTD |
| 9 | 3338459 | 1 | HANDLE CONT VLV 1 PLTD |
| 10 | 3400466 | 1 | SCR-CAR,5/16-18X2.75 ZP |
| 11 | 711724 | 2 | RING-RET EXT .38 |
| 12 | 3300465 | 4 | ISOLATOR-RUBBER (.375IDx.81OD) |
| 13 | 3300884 | 1 | ROD-PIVOT CONTROL VALVE PLTD |
| 14 | 3338455 | 1 | MNT - HYD. SPOOL VALVE ARMA |
| 16 | 3338213 | 1 | VALVE-HYD CONTROL 3-SPOOL SW/A |
| 17 | 675513 | 2 | FTG - HYD. TEE #8JIC X #10 ORB X #8JIC |
| 18 | 690006 | 1 | ORIFICE-BRASS #332, .041" DIA, HYDRAULIC, 3/4-16 THD |
| 19 | 675524 | 4 | FTG-TEE SWIVEL RUN #4 JIC ARMA |
| 21 | 711374 | 2 | NUT-NYLOC 5/16-18 |
| 31 | 3400088 | 6 | WASHER-FLAT #8 ZP |
| 32 | 450034 | 3 | PIN-CLEVIS 3/16 X 3/4 ZP |

IMPELLER ASSEMBLY



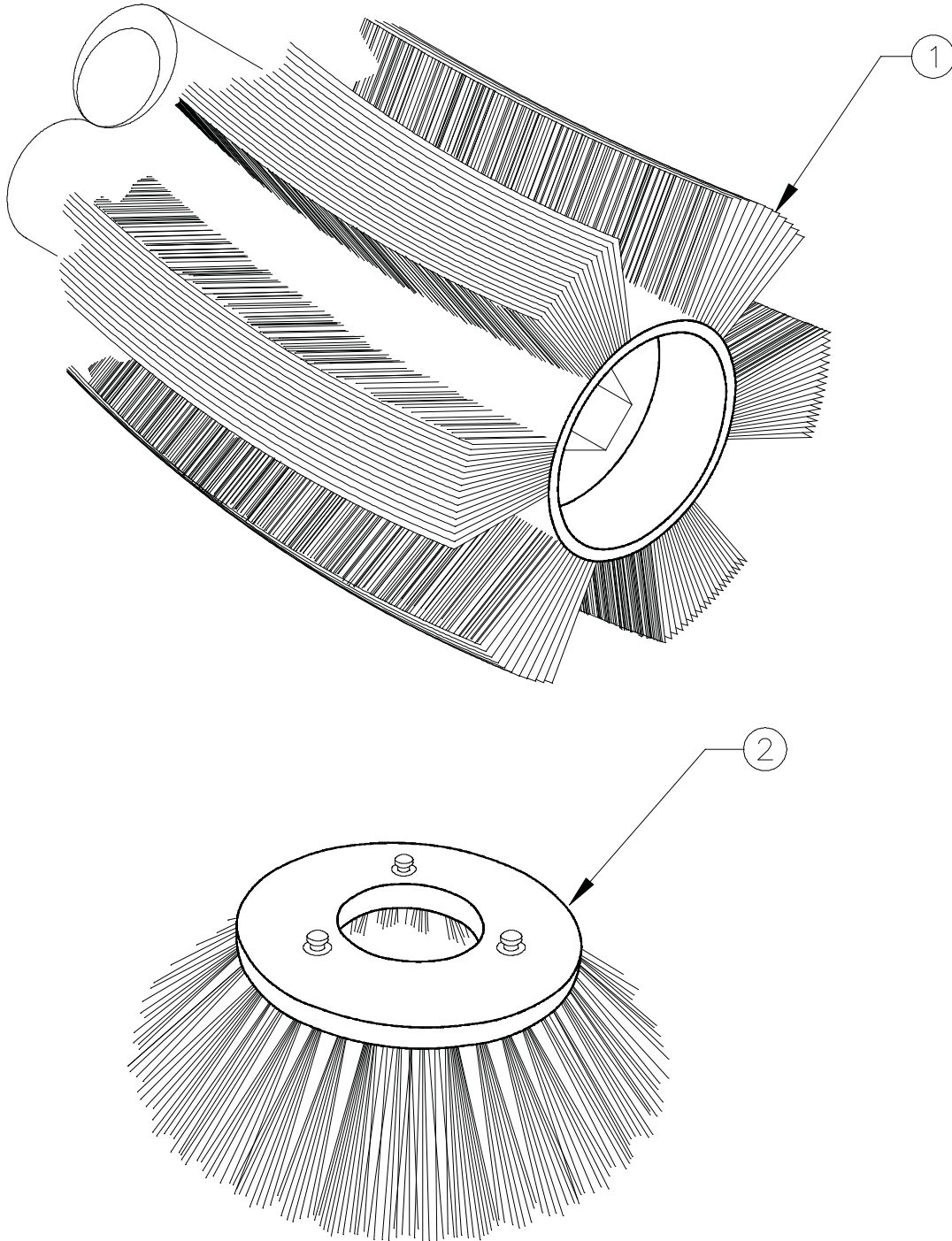
| IMPELLER ASSEMBLY | | | |
|-------------------|----------|-------|--|
| ITEM | PART NO. | REQ'D | DESCRIPTION |
| 1 | 3316832 | 1 | MOTOR-HYDRAULIC, .323CI, CCW ROTATION, IMPELLER |
| | 3337905 | 1 | SEAL KIT IMPELLER MOTOR |
| 2 | 675525 | 2 | FTG-STR THD RUN TEE -8 ORFS TO -8 SAE |
| 3 | 3307152 | 1 | MOUNT-IMPELLER MOTOR |
| 4 | 3300465 | 4 | ISOLATOR-RUBBER, .375 IDx.81 OD |
| 5 | 3400028 | 4 | SCR-HEX 3/8-16x1.50" |
| 6 | 3322121 | 1 | MOUNT-IMPELLER MOTOR, CIRCULAR |
| 7 | 3335458 | 2.5' | GASKET-TOP IMPELLAR, ARMA |
| 8 | 3307004 | 1 | SHROUD-IMPELLER, |
| 9 | 3307003 | 1 | IMPELLER-8.88" DIA, ARMA BALANCED |
| 10 | 3335459 | 2.5' | GASKET-BOTT IMPELLAR, ARMA |
| 11 | 3335192 | 1 | IMPELLER MOUNT, ARMA |
| 12 | 3333915 | 3 | ISOLATOR-RUBBER, ϕ 1.5x1" LG, 3/8-16 THREAD |
| 13 | 3300351 | 3 | CLAMP-HOSE, 4.5" DIA, SS |
| 14 | 3307767 | 1 | HOSE-IMPELLER, ϕ 4"x7.5" LONG |
| 15 | 3315347 | 1 | TRANSITION-PLASTIC IMPELLER EXHAUST |
| 16 | 3318203 | 1 | HOSE-IMPELLER EXHAUST, 3.5"IDx62" LONG |
| 17 | 675508 | 1 | FTG-STR THD CONNECTOR -4 ORFS TO -4 SA |
| 18 | 675523 | 1 | FTG-STR THD ELBOW -8 ORFS TO -8 SAE |

MAIN BROOM ASSEMBLY



| MAIN BROOM ASSEMBLY | | | |
|---------------------|----------|-------|---|
| ITEM | PART NO. | REQ'D | DESCRIPTION |
| 1 | 600263 | 1 | HANDLE GRIP |
| 2 | 3338296 | 1 | WELD-ROD,MAIN BROOM, UPPER, 9X,ZP |
| 3 | 3400084 | 1 | NUT-WING 1/2-13 |
| 4 | 3400091 | 1 | WASHER-FENDER 1/2 |
| 5 | 3300352 | 1 | KNOB-MAIN BROOOM LIFT ADJUST |
| 6 | 3335112P | 1 | WELDMENT-MAIN BROOM PIVOT LIFT |
| 7 | 3334984 | 1 | ROD-LIFT MAIN BROOM |
| 8 | 3301447 | 1 | CLEVIS-CABLECRAFT AC-218 |
| 9 | 3301285 | 1 | RETAINER-MAIN BROOM DRIVER HUB |
| 10 | 3301050P | 1 | HUB-MAIN BROOM DRIVE |
| 11 | 675523 | 1 | FTG-STR THD ELBOW -8 ORFS TO -8 SAE |
| 12 | 3338661 | 1 | MOTOR-HYD MAIN BROOM |
| 13 | 3330338 | 1 | KEY-SHAFT D-FOSS CB/MB/SC MOTORS |
| 14 | 3307337 | 3' | GASKET-MAIN BROOM ARM |
| 15 | 3307338 | 3' | RETAINER-GASKET MAIN BROOM ARM |
| 16 | 3307207M | 1 | MAIN BROOM MNT AM9D-M |
| 17 | 3307181 | 1 | SPACER-MAIN BROOM |
| 18 | 3300432 | 2 | BUSHING-FL-52-4 |
| 19 | 690111 | 2 | PIN-DOWEL, .375x1.25, SS |
| 20 | 3305667 | 1 | BEARING-MAIN BROOM |
| 21 | 3305642 | 1 | HUB-BROOM IDLER |
| 22 | 3400047 | 2 | SCR-SOCKET, 5/16-18x0.75 |
| 23 | 3305666 | 1 | RING-RETAINING MAIN BROOM |
| 25 | 3335220 | 1 | MAIN BROOM PLT |
| 26 | 3400748 | 1 | KNOB-HAND 1/2-13x1-1/2 DOG POINT |
| 27 | 3335196 | 1 | PLATE-LIFT ARM, MAIN BROOM, ARMA |
| 28 | 712305 | 1 | WASHER, FENDER 5/8 X 2 X .125 ZINC |
| 29 | 712003 | 1 | SCREW, HHCS 5/8-11 X 0.75 ZINC |
| 30 | 3333672 | 1 | SPACER-MB LIFT ROD |
| 31 | 712315 | 1 | WASHER SR-HELICAL .64 X 1.26 X .06 ZINC |
| 32 | 3335908 | 1 | RING-NILOS, 2.55"OD |
| 33 | 3400086 | 1 | WASHER-FLAT 1/2 STANDARD ZP |
| 34 | 3400098 | 1 | WASHER-LOCK 1/2 SPLIT ZP |

SIDE BROOM & MAIN BROOM



| SIDE BROOM & MAIN BROOM | | | |
|------------------------------------|-------------------|--------------|---|
| ITEM | PART NO. | REQ'D | DESCRIPTION |
| | MAIN BROOM | | |
| 1 | 3305818 | 1 | BROOM-48"HIGH DEN FIBER & WIRE |
| | 3305812 | 1 | BROOM-48" NYLON |
| | 3305665 | 1 | BROOM-48" HIGH DENSITY NYLON |
| | 3305814 | 1 | BROOM-48" NYLON CHEVRON (PATROL) |
| | 3315315 | 1 | BROOM-48"STIFF NYLON |
| | 3305663 | 1 | BROOM-48" PROEX & WIRE |
| | 3333483 * | 1 | BROOM-48" TRIPLE ROW POLY (CHEVRON PATTERN) |
| | SIDE BROOM | | |
| 2 | 3300308 * | 1 | BROOM-SIDE 24" WHITE NYLON |
| | 3300306 | 1 | BROOM-SIDE 24" DIA. BLACK POLY |
| | 3300309 | 1 | BROOM-SIDE 26" WHITE NYLON |
| | 3300307 | 1 | BROOM-SIDE 26" BLACK POLY |
| | 3300311 | 1 | BROOM-SIDE 26" WIRE |

* - Standard Broom used on the AM9D-III machine.

Main Broom User's Guide

Proex & Wire - Slightly encrusted soilage & dusty conditions. High heat.

Nylon - General purpose broom with long life bristles.

Poly Proex - All purpose broom that stands up well on rough surfaces.

High Density Nylon - Highly effective for small particle soilage. Severe dust environments.

Crinkle Wire - Stiff bristles for compacted grime, oil, grease or mud. Fair to good broom life.

Natural Fiber & Wire - Good all around broom. Good for high heat applications.

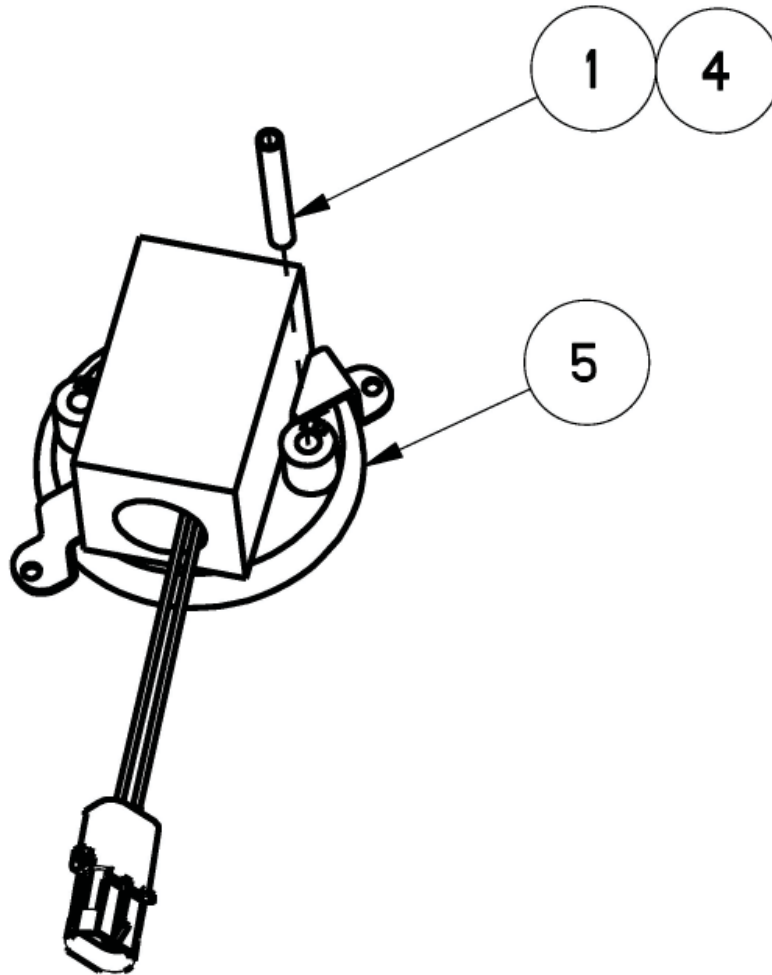
Side Broom User's Guide

Poly - Stiff bristles for aggressive sweeping of mainly heavy litter. Not suited for high heat.

Nylon - Provides longest life. Recommended for tough sweeping jobs.

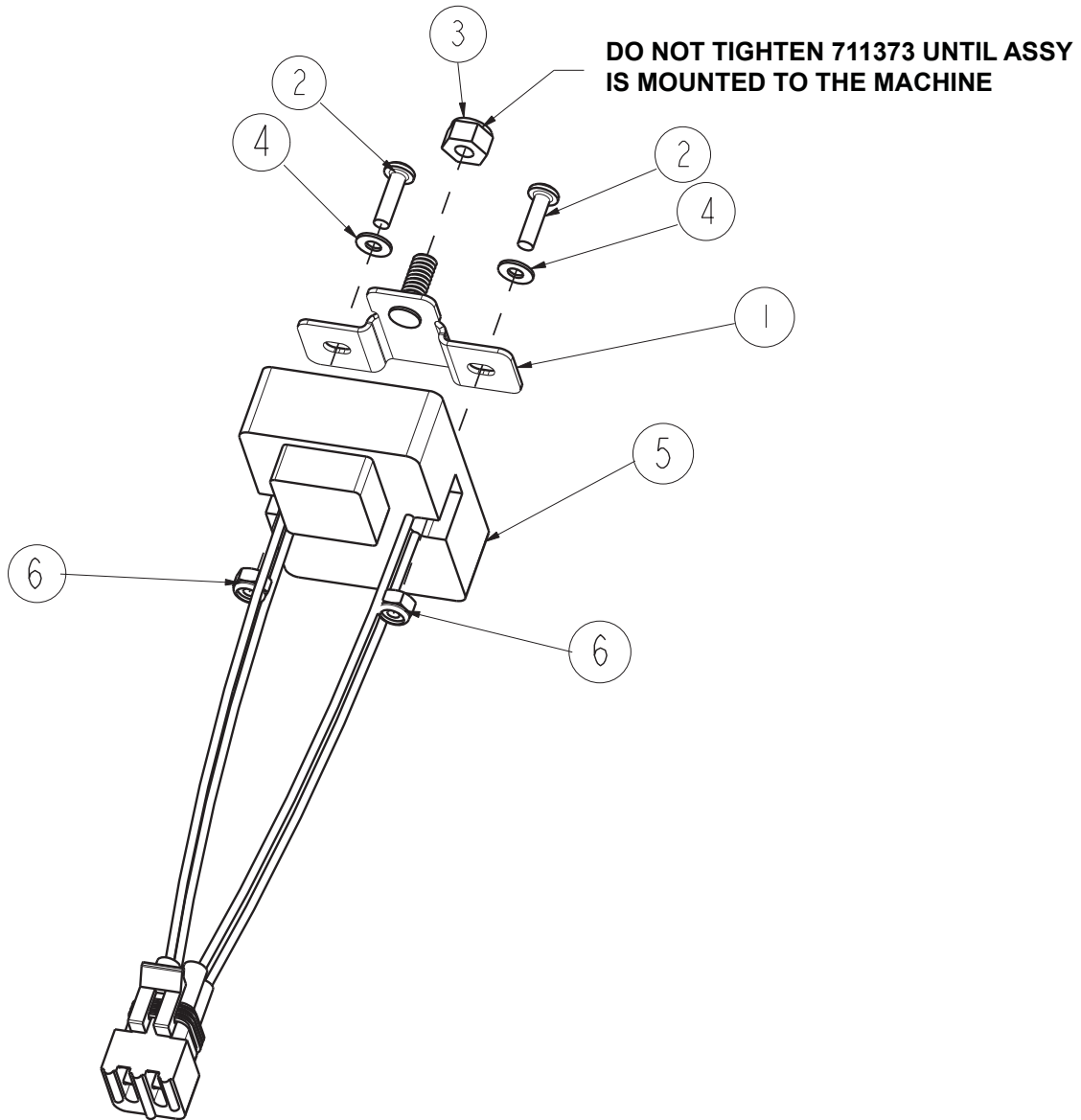
Wire (flat) - For areas of heavy grease build up or scarifying action. Used in high heat applications.

VACUUM SWITCH



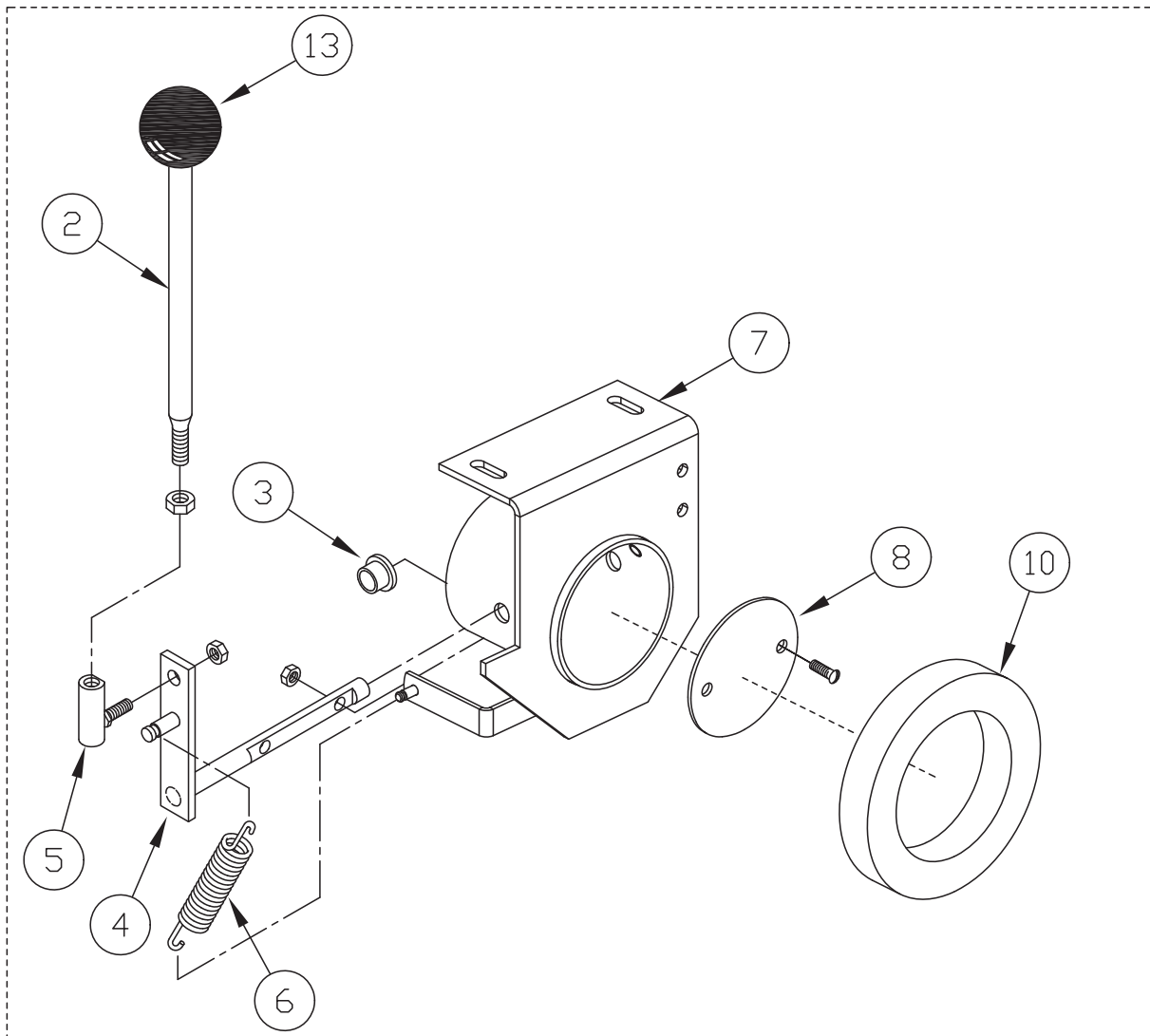
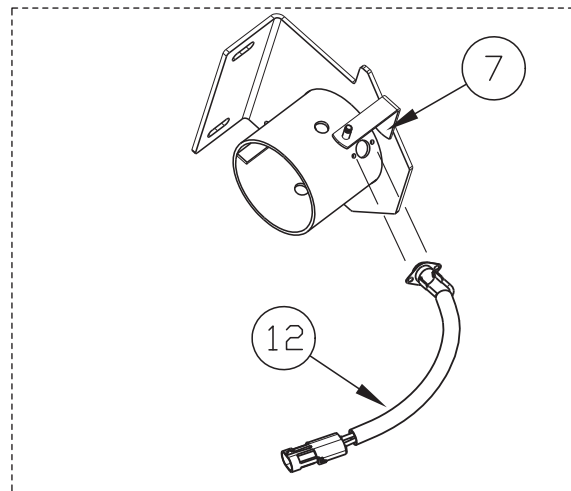
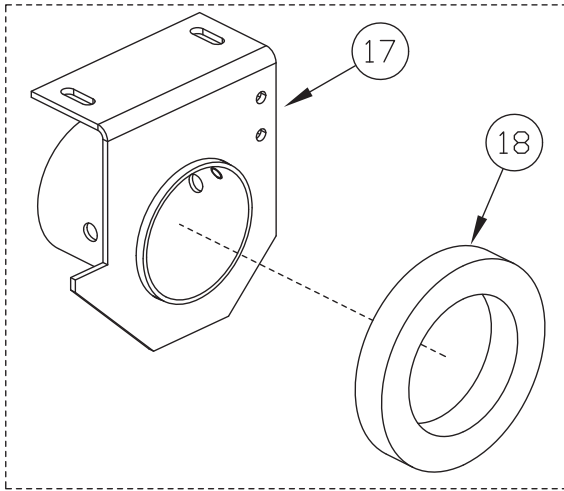
| VACUUM SWITCH | | | |
|---------------|-----------|-------|------------------------------------|
| ITEM | PART NO. | REQ'D | DESCRIPTION |
| 1 | 3303105 | 1 | FTG-NIPPLE 1/8"MPT X 2.00 LG |
| 4 | 3401122 | 0.1 | SEALANT-THREADED PIPE, 565 PST |
| 5 | 3303327-1 | 1 | CLOG FILTER - PRESSURE SWITCH ASSY |
| 6 | 3400315 | 2 | SCR-HEX,#10-32X0.50 (Not Shown) |
| 7 | 3400172 | 2 | NUT-HEX JAM #10-32 ES (Not Shown) |

TIMER-FILTER SHAKER SEALED



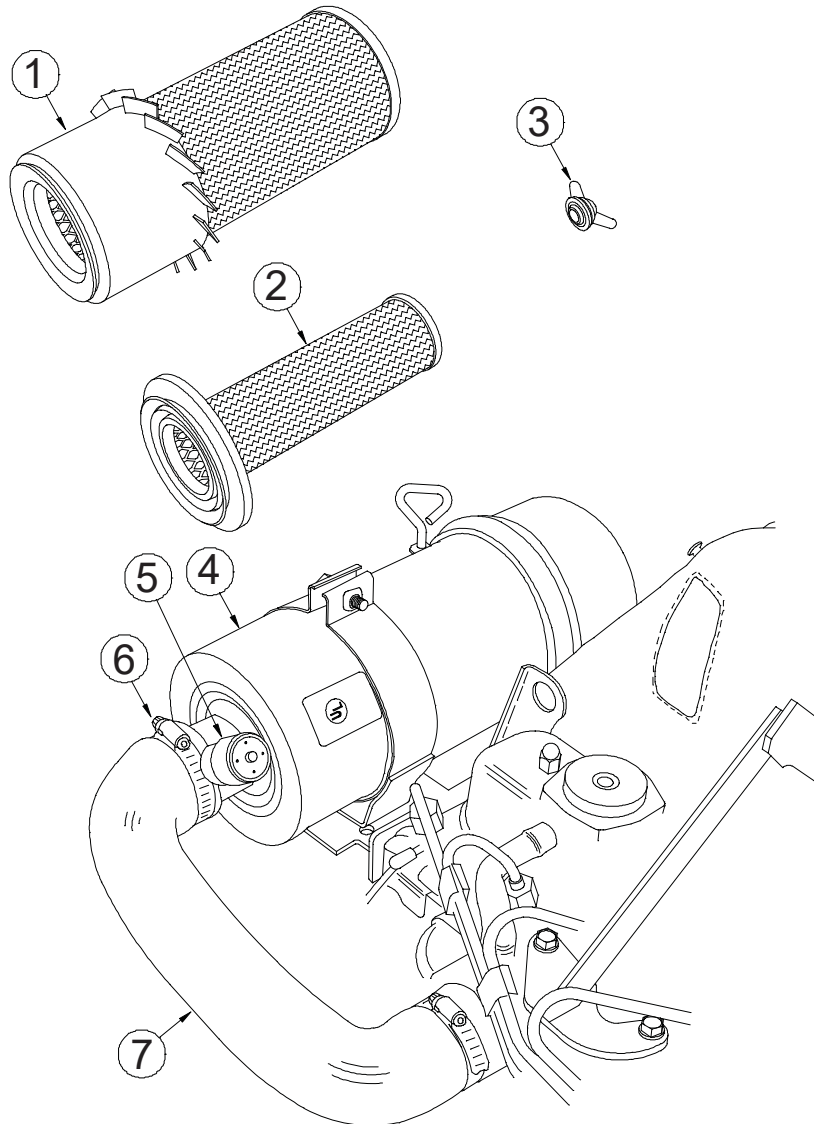
| TIMER-FILTER SHAKER SEALED | | | |
|----------------------------|----------|-------|--------------------------------------|
| ITEM | PART NO. | REQ'D | DESCRIPTION |
| 1 | 690138 | 1 | BRACKET, TIMER |
| 2 | 710230 | 2 | SCR-MC 8-32 X .62 ST PL |
| 3 | 711373 | 1 | NUT - NYLOC 1/4-20 |
| 4 | 711502 | 2 | WSR - FLT, .170 X .38 X .32 STL ZINC |
| 5 | 748502-1 | 1 | ASSY, RELAY - TIMER, W/CONNECTOR |
| 6 | 3400082 | 2 | NUT - HEX #8-32 ES ZP |

GASKET MOUNT ASSEMBLY



| GASKET MOUNT ASSEMBLY | | | |
|------------------------------|-----------------|--------------|--|
| ITEM | PART NO. | REQ'D | DESCRIPTION |
| | 3307018 | 1 | GASKET MOUNT SUB 9XV (Includes Items 1-13) |
| 2 | 3307173 | 1 | ROD-IMPELLER BAFFLE |
| 3 | 3300414 | 2 | BUSHING-PLASTIC, 3/8 ID X 1/2 OD |
| 4 | 3307155 | 1 | WELDMENT ROD GASKET MOUNT BAFFLE |
| 5 | 3301199 | 1 | BALL JOINT-1/4-28 |
| 6 | 3304160 | 1 | SPRING-EXTENSION, 2.00 LG |
| 7 | 3307182 | 1 | WELDMENT-GASKET MOUNT, |
| 8 | 3301498 | 1 | DAMPER-HOPPER SHUTOFF, |
| 10 | 3307005 | 1 | GASKET-IMPELLER |
| 12 | 748504-1 | 1 | THERMOSTAT ASSEMBLY |
| - | 3303729 | 1 | GROMMET-RUBBER, .25IDx.56ODx.12 GROOVE (Not Shown) |
| 13 | 3300563 | 1 | KNOB-PLASTIC BALL 1" DIA, BLACK |
| 17 | 3307182 | 1 | WELD-GASKET MNT SW/A/62E |
| 18 | 3307005 | 1 | GASKET-IMPELLER |

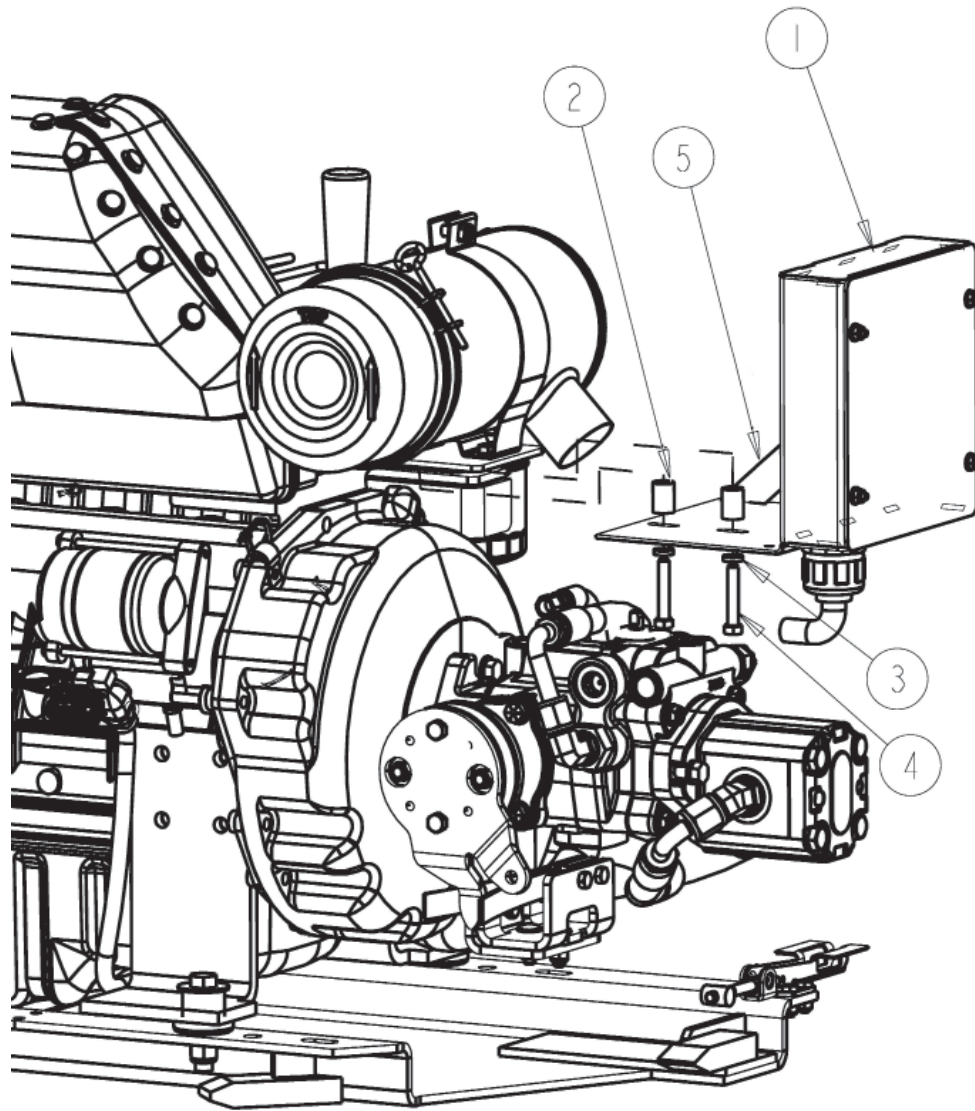
ENGINE KUBOTA V1505 DIESEL - AIR CLEANER ASSEMBLY



ENGINE KUBOTA V1505 DIESEL - AIR CLEANER ASSEMBLY

| ITEM | PART NO. | REQ'D | DESCRIPTION |
|------|----------|-------|--|
| 1 | 3302842 | 1 | ELEMENT-AIR CLEANER, PRIMARY |
| 2 | 3302597 | 1 | ELEMENT-AIR CLEANER, SAFETY |
| 3 | 3303827 | 1 | NUT-WING, DONALDSON AIR CLEANER |
| 4 | 3303031 | 1 | "ASSEMBLY-DONALDSON HEAVY DUTY AIR CLEANER (Includes Items 1,2&3)" |
| 5 | 3303991 | 1 | INDICATOR-AIR CLEANER RESTRICTION |
| 6 | 3044112 | 2 | CLAMP-HOSE, φ2.5" SS |
| 7 | 3332643 | 1 | HOSE-RAD UPPER 1505 (COOLER) |

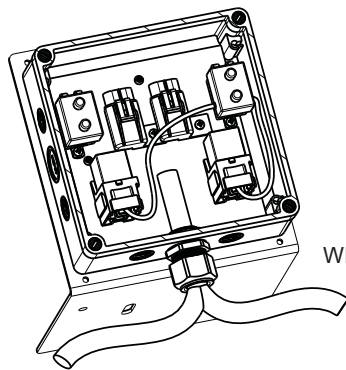
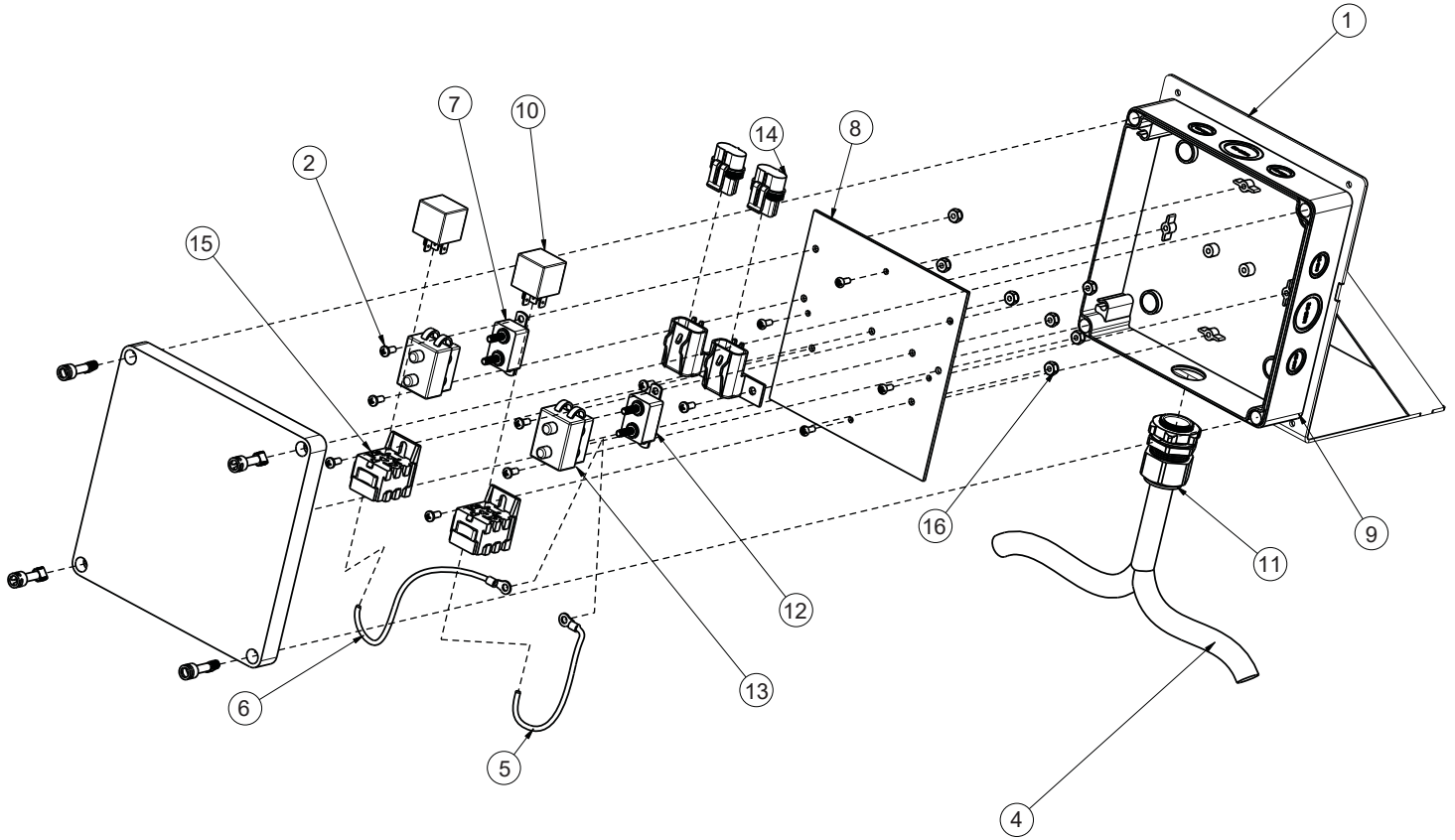
ENGINE KUBOTA V1505 DIESEL - FUSE BOX ASSEMBLY



ENGINE KUBOTA V1505 DIESEL - FUSE BOX ASSEMBLY

| ITEM | PART NO. | REQ'D | DESCRIPTION |
|------|----------|-------|--|
| 1 | 748769 | 1 | ASSY - DIESEL CONTROL BOX |
| 2 | 3342109 | 2 | SPACER |
| 3 | 3400102 | 2 | WASHER |
| 4 | 3400231 | 2 | SCR-HEX,5/16-18X2.0 ZP |
| 5 | 690042 | 1 | BRACKET, MTG, WELD, DIESEL CONTROL BOX |

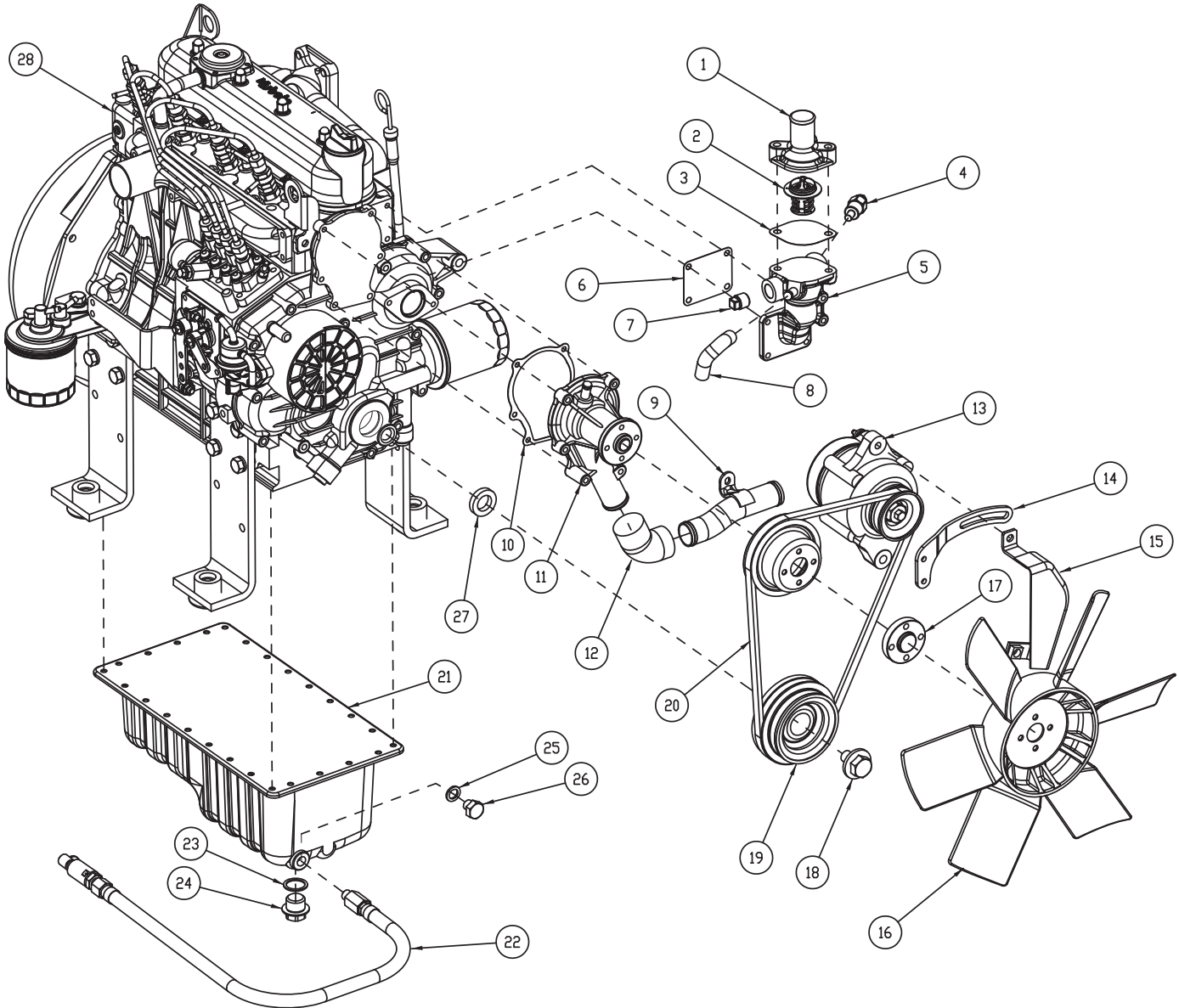
ENGINE KUBOTA V1505 DIESEL - FUSE BOX DETAILS



DIESEL CONTROL BOX
WITH TOP COVER REMOVED

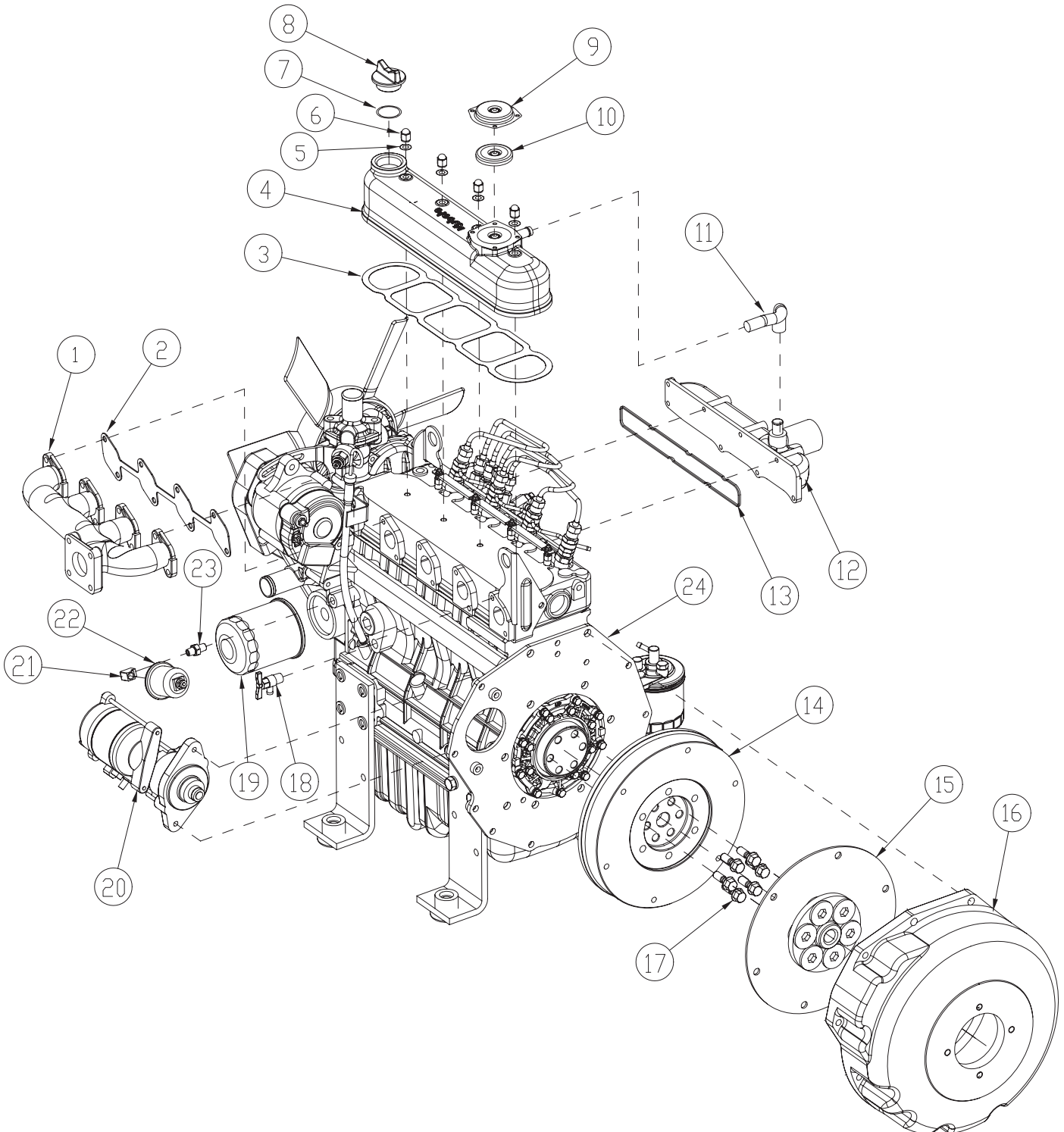
| ENGINE KUBOTA V1505 - DIESEL CONTROL BOX (748769) | | | |
|--|-----------------|--------------|--|
| ITEM | PART NO. | REQ'D | DESCRIPTION |
| 1 | 690042 | 1 | BRACKET, MTG, WELD, DIESEL CONTROL BOX |
| 2 | 710328 | 8 | SCR-RHMS 8-32 X .37 ZP |
| 3 | 712540 | 4 | SCR-THMS 10-24 X .37 SS |
| 4 | 748447 | 1 | WIRING HARNESS, KUBOTA DSL CONTROL BOX |
| 5 | 748447-1 | 1 | WIRE ASSY, ORANGE |
| 6 | 748447-2 | 1 | WIRE ASSY, YELLOW |
| 7 | 748762 | 1 | CIRCUIT BREAKER, 12V 50A |
| 8 | 748763-MCH | 1 | MOUNTING PLATE, MACHINED |
| 9 | 748764 | 1 | ENCLOSURE W/ METRIC KNOCKOUTS |
| 10 | 748767 | 2 | RELAY, 14 VDC 50/30 A |
| 11 | 748768 | 1 | CORDGRIP, M25, LIQUID TIGHT |
| 12 | 748962 | 1 | CIRCUIT BREAKER, 12V 40A |
| 13 | 748963 | 2 | CIRCUIT BREAKER BOOT |
| 14 | 748964-1 | 2 | ASSY, FUSE HOLDER |
| 15 | 748967 | 2 | SOCKET, RELAY |
| 16 | 3400082 | 8 | NUT-NYLOC 8-32 ZP |

ENGINE KUBOTA V1505 DIESEL - ALTERNATOR, WATER PUMP, FAN, AND OIL PAN



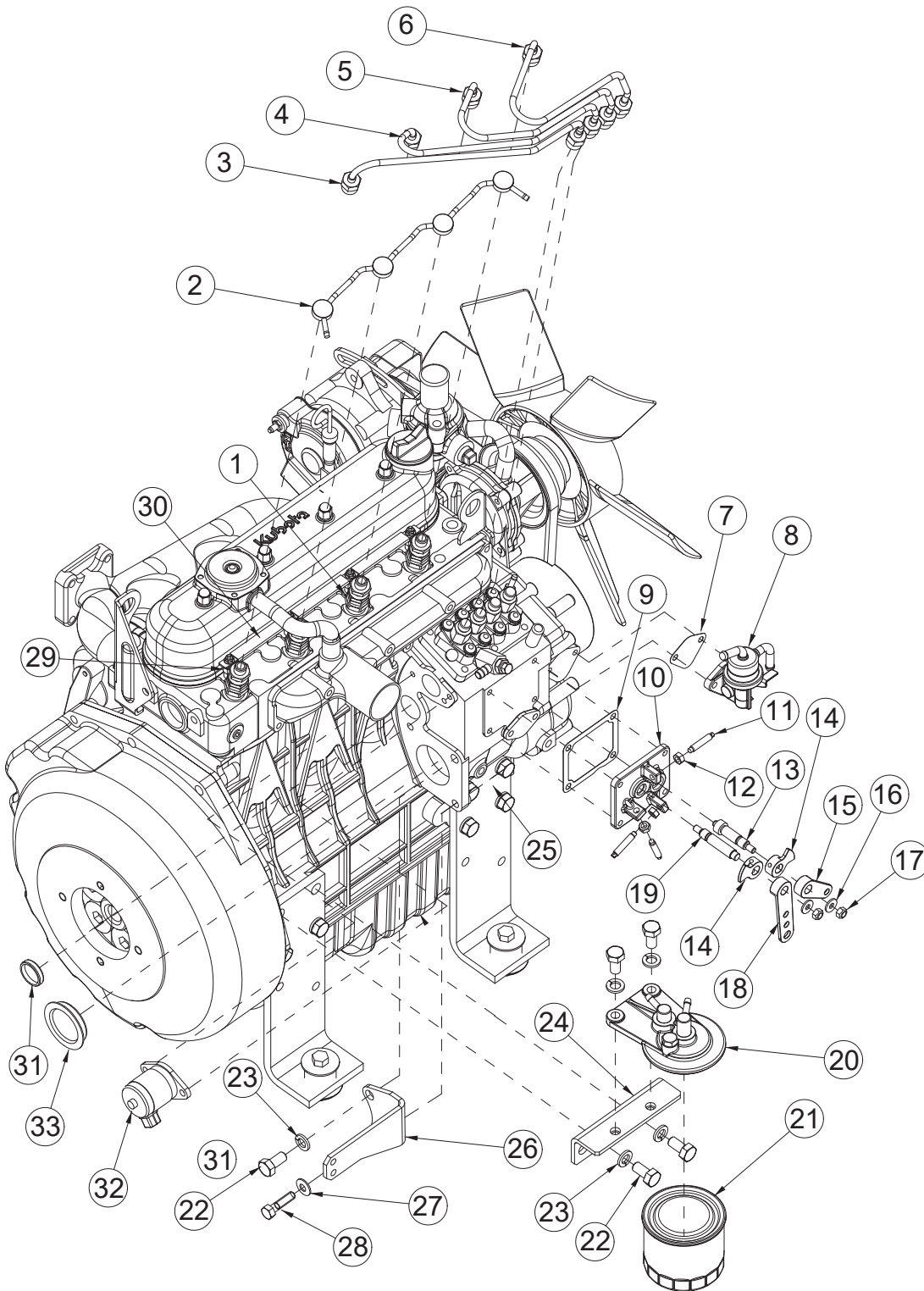
| ENGINE KUBOTA V1505 DIESEL - ALTERNATOR, WATER PUMP, FAN, AND OIL PAN | | | |
|---|----------|-----|---------------------------------------|
| ITEM | PART NO. | QTY | DESCRIPTION |
| 1 | 3336919 | 1 | COVER-THERMOSTAT KUBOTA V1505 |
| 2 | 3350446 | 1 | THERMOSTAT-KUBOTA V1505 & V2203 |
| 3 | 3336918 | 1 | GASKET-THERMOSTAT KUBOTA V1505 |
| 4 | 3341070 | 1 | SENDER-TEMPERATURE 12V KUBOTA V1505 |
| 5 | 3336939 | 1 | HOUSING-THERMOSTAT KUBOTA V1505 |
| 6 | 3336915 | 1 | GASKET-WATER FLANGE KUBOTA V1505 |
| 7 | 3336947 | 1 | PLUG-THERMOSTAT HSG KUBOTA V1505 |
| 8 | 3336931 | 1 | PIPE-WATER RETURN THERMOSTAT HSG |
| 9 | 3336946 | 1 | PIPE-WATER KUBOTA V1505 |
| 10 | 3330793 | 1 | GASKET - KUBOTA V1505 WATER PUMP |
| 11 | 3330792 | 1 | PUMP - WATER, KUBOTA V1505 |
| 12 | 3336932 | 1 | PIPE-WATER PUMP KUBOTA V1505 |
| 13 | 3329875 | 1 | ALTERNATOR-KUBOTA V1505 |
| 14 | 3336067 | 1 | STAY-DYNAMO |
| 15 | 3331935 | 1 | COVER-BELT |
| 16 | 3330210 | 1 | FAN - KUBOTA V1505 ENGINE (SP) 1 |
| 17 | 3336933 | 1 | SPACER-FAN 10MM KUBOTA V1505 |
| 18 | 3336937 | 1 | BOLT-PULLEY KUBOTA V1505 |
| 19 | 3336934 | 1 | PULLEY-ENGINE KUBOTA V1505 |
| 20 | 3329867 | 1 | BELT-KUBOTA V1505V |
| 21 | 3336920 | 1 | PAN-OIL KUBOTA V1505 |
| 22 | 661004 | 1 | OIL DRAIN ASSY, V1505 |
| 23 | 3344822 | 1 | DRAIN PLUG GASKET, KUBOTA |
| 24 | 3338327 | 1 | PLUG-DRAIN (BOTTOM) |
| 25 | 3338328 | 1 | GASKET-OIL PAN (ALTERNATE) |
| 26 | 3344821 | 1 | PLUG-DRAIN (SIDE) (ALTERNATE) |
| 27 | 3337571 | 1 | SEAL, OIL KUBOTA V1505 |
| 28 | 690116 | 1 | ENGINE, DSL, DE-RATED - V1505, KUBOTA |

ENGINE KUBOTA V1505 DIESEL - FLYWHEEL, STARTER, HEAD COVER, AND MANIFOLD



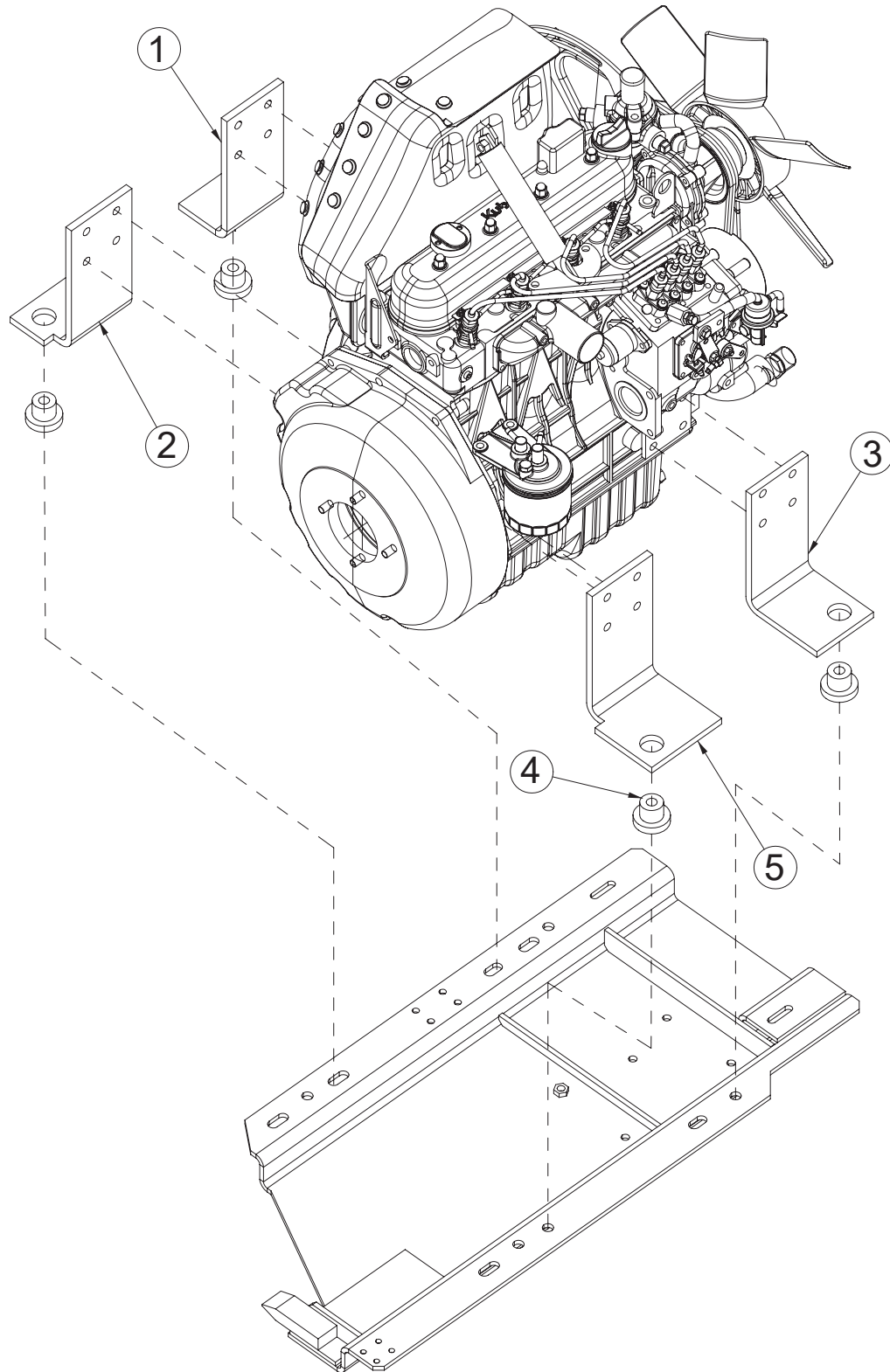
| ENGINE KUBOTA V1505 DIESEL - FLYWHEEL, STARTER, HEAD COVER, AND MANIFOLD | | | |
|---|-----------------|------------|-------------------------------------|
| ITEM | PART NO. | QTY | DESCRIPTION |
| 1 | 3334041 | 1 | MANIFOLD-EXHAUST KUBOTA V1505 |
| 2 | 3333964 | 1 | GASKET-EX-MANIFOLD KUBOTA V1505 |
| 3 | 3334278 | 1 | GASKET - VALVE COVER KUBOTA V1505 |
| 4 | 3336910 | 1 | COVER-CYLHEAD KUBOTA V1505 |
| 5 | 3337572 | 4 | GASKET KUBOTA V1505 |
| 6 | 3336916 | 4 | NUT-CYLHEAD COVER KUBOTA V1505 |
| 7 | 3337573 | 1 | O-RING KUBOTA V1505 |
| 8 | 3336926 | 1 | PLUG-OIL FILLER KUBOTA V1505 |
| 9 | 3337574 | 1 | COVER, BREATHER KUBOTA V1505 |
| 10 | 3337575 | 1 | VALVE BREATHER KUBOTA V1505 |
| 11 | 3337576 | 1 | TUBE BREATHER KUBOTA V1505 |
| 12 | 3336911 | 1 | MANIFOLD-INLET KUBOTA 1505 |
| 13 | 3337577 | 1 | GASKET INTAKE MANIFOLD KUBOTA V1505 |
| 14 | 3336935 | 1 | COMP-FLYWHEEL KUBOTA V1505 |
| 15 | 3329956 | 1 | COUPLING-KUBOTA DIESEL V1505/D905 |
| 16 | 3329957 | 1 | BELL HOUSING KUBOTA V1505 DIESEL |
| 17 | 3336938 | 6 | BOLT-FLYWHEEL KUBOTA V1505 |
| 18 | 3339628 | 1 | ASSY-COCK DRAIN V1505 |
| 19 | 3324129 | 1 | FILTER - OIL, 1505/905 KUBOTA DIE |
| 20 | 3330402 | 1 | STARTER - KUBOTA V1505, 12V |
| 21 | 3301720 | 1 | FTG-90 EL 1/8 FPT |
| 22 | 3341069 | 1 | SENDER-OIL PRESSURE 12V |
| 23 | 3305640 | 1 | FTG-NIPPLE 1/8BPT-1/8NPT BRASS |
| 24 | 3336917 | 1 | PLATE-REAR END V1505 |

ENGINE KUBOTA V1505 DIESEL - FUEL SYSTEM AND SPEED CONTROL



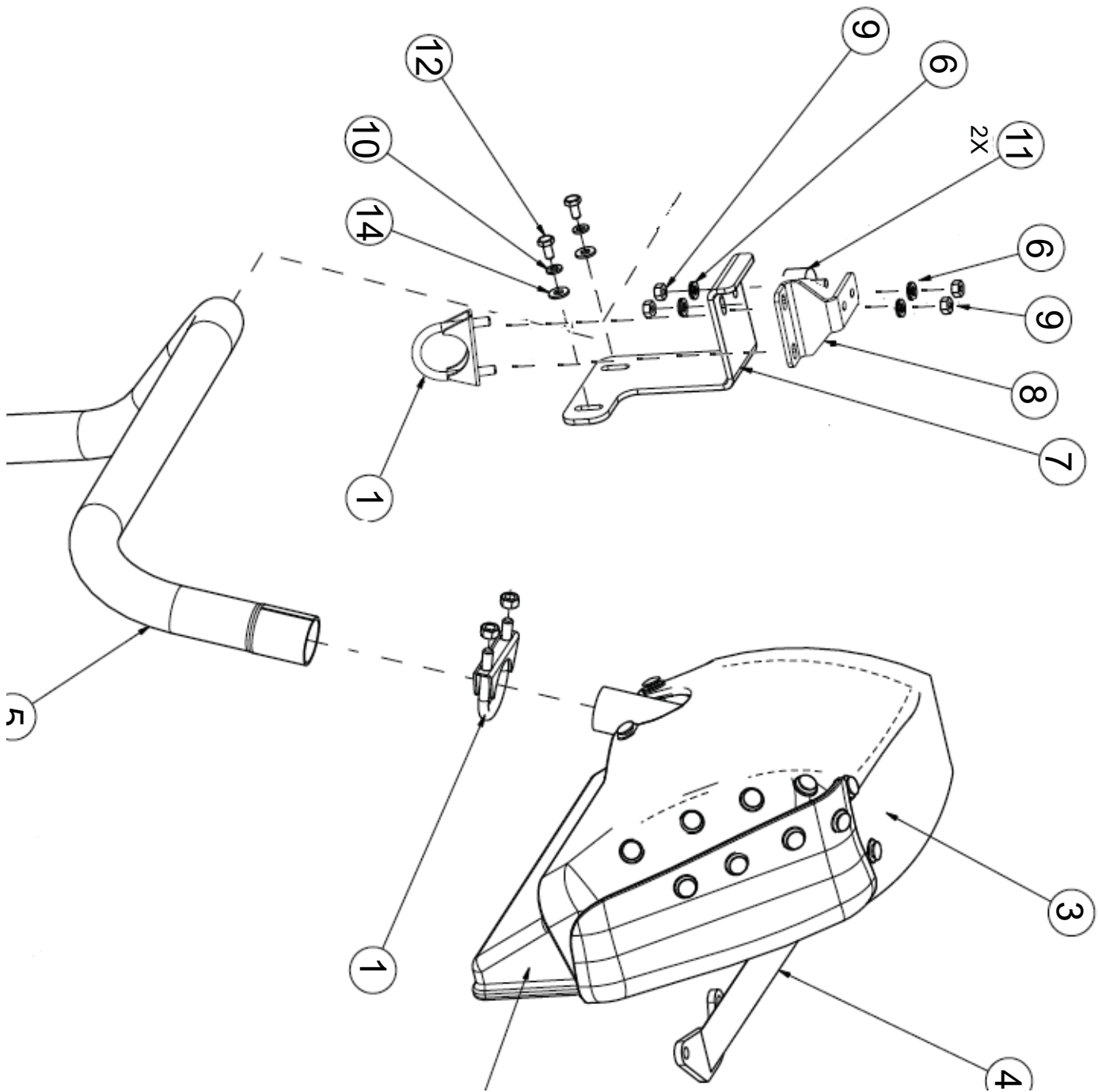
| ENGINE KUBOTA V1505 DIESEL - FUEL SYSTEM AND SPEED CONTROL | | | |
|--|----------|-----|--|
| ITEM | PART NO. | QTY | DESCRIPTION |
| 1 | 3330106 | 4 | INJECTOR-KUBOTA V1505 DIESEL |
| 2 | 3333567 | 1 | FUEL LINE-KBA 1505 LEAK OFF LINE |
| 3 | 3334998 | 1 | PIPE INJECTION-KUBOTA V1505 |
| 4 | 3334997 | 1 | PIPE INJECTION-KUBOTA V1505 |
| 5 | 3334996 | 1 | PIPE INJECTION-KUBOTA V1505 |
| 6 | 3334995 | 1 | PIPE INJECTION-KUBOTA V1505 |
| 7 | 3330693 | 1 | KUBOTA 1505-FUEL PUMP GASKET |
| 8 | 3330692 | 1 | PUMP - FUEL, KUBOTA V1505 DIESEL |
| 9 | 3336924 | 1 | GASKET-CONTROL PLATE KUBOTA V1505 |
| 10 | 3336943 | 1 | PLATE-SPEED CONTROL KUBOTA V1505 |
| 11 | 3336944 | 3 | BOLT-ADJUSTING SPEED CONTROL KUBOTA |
| 12 | 3336976 | 3 | HUT-HEX JAM 6MM |
| 13 | 3336948 | 1 | SHAFT-LEVER STOP SPEED CONTROL KUBOTA |
| 14 | 3336942 | 2 | LEVER-SPEED CONTROL KUBOTA V1505 |
| 15 | 3336945 | 1 | LEVER-ENGINE STOP KUBOTA V1505 |
| 16 | 3336969 | 2 | WASHER-PLAIN 15MM OD X 6MM ID X 1 |
| 17 | 3336970 | 2 | NUT-HEX LOCK 6MM |
| 18 | 3336941 | 1 | LEVER-SPEED CONTROL KUBOTA V1505 |
| 19 | 3336949 | 1 | LEVER-GOVERNOR KUBOTA V1505 |
| 20 | 3305882 | 1 | MOUNT, FUEL FILTER KUBOTA PNTD |
| 21 | 3303324 | 1 | FILTER - FUEL KUBOTA DSL (SP) |
| 22 | 3400293 | 5 | SCR-HEX 10MMX1.25PX20MM ZP |
| 23 | 3401458 | 5 | WSH-LOCK, 10 MM ZP |
| 24 | 3336912 | 1 | BRACKET-FUEL FILTER KUBOTA V1505 |
| 25 | 3400390 | 1 | NUT-FLANGE LOCK 5/16-18 |
| 26 | 3350331 | 1 | MOUNT-THROTTLE KBA 1505 DSL |
| 27 | 3400384 | 1 | WASHER CONICAL SPRING 5/16 |
| 28 | 3400034 | 1 | SCR-HEX,5/16-18X1.25 ZP |
| 29 | 3330795 | 4 | GLOW PLUG KUBOTA V1505 |
| 30 | 3337578 | 1 | CORD GLOW PLUG KUBOTA V1505 |
| 31 | 3336927 | 1 | PLUG-ENGINE KUBOTA V1505 |
| 32 | 3334549 | 1 | KIT-SOLENOID FUEL SHUT-OFF W/ JUMPER |
| 33 | 3336925 | 1 | COVER HYDRAULIC PUMP-ENGINE KUBOTA V1505 |

ENGINE KUBOTA V1505 DIESEL - MOTOR MOUNTING



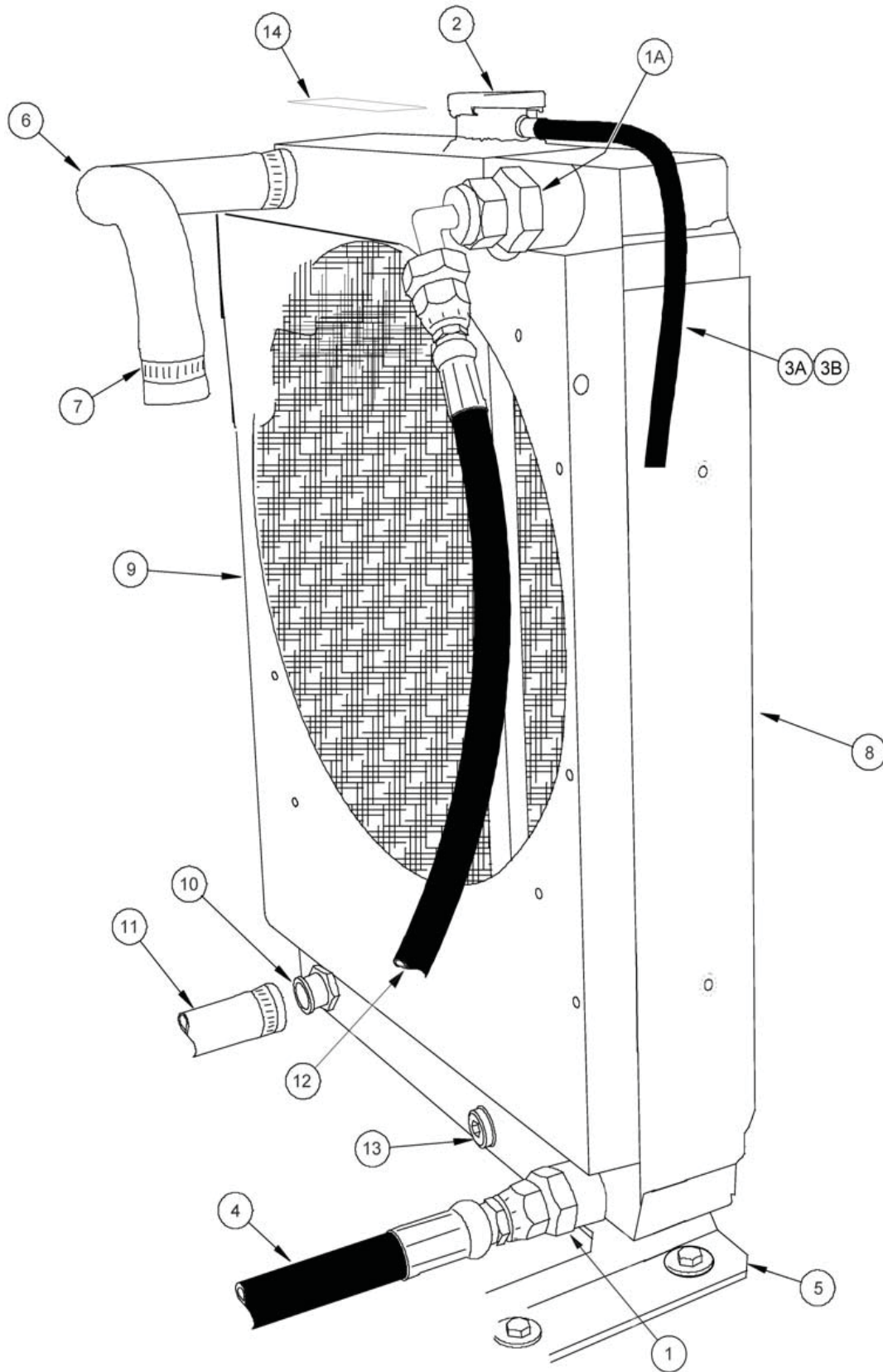
| ENGINE KUBOTA V1505 DIESEL - MOTOR MOUNTING | | | |
|---|----------|-------|---|
| ITEM | PART NO. | REQ'D | DESCRIPTION |
| 1 | 690032 | 1 | ENGINE MOUNT, OUTER, AM9D, KUBOTA V1505 |
| 2 | 690032 | 1 | ENGINE MOUNT, OUTER, AM9D, KUBOTA V1505 |
| 3 | 690031 | 1 | ENGINE MOUNT, OUTER, AM9D, KUBOTA V1505 |
| 4 | 3300464 | 4 | ISOLATOR-RUBBER, 1.24 DIAx1.25 LG |
| 5 | 690031 | 1 | ENGINE MOUNT, INNER, AM9D, KUBOTA V1505 |
| - | 3350329 | 1 | BRACKET-HOSE RETAINER, FRONT, KUBOTA V1505 DIESEL (NOT SHOWN) |
| - | 3333301 | 1 | BRACKET-HOSE RETAINER, REAR, KUBOTA V1505 DIESEL (NOT SHOWN) |

ENGINE KUBOTA V1505 DIESEL - EXHAUST DETAIL



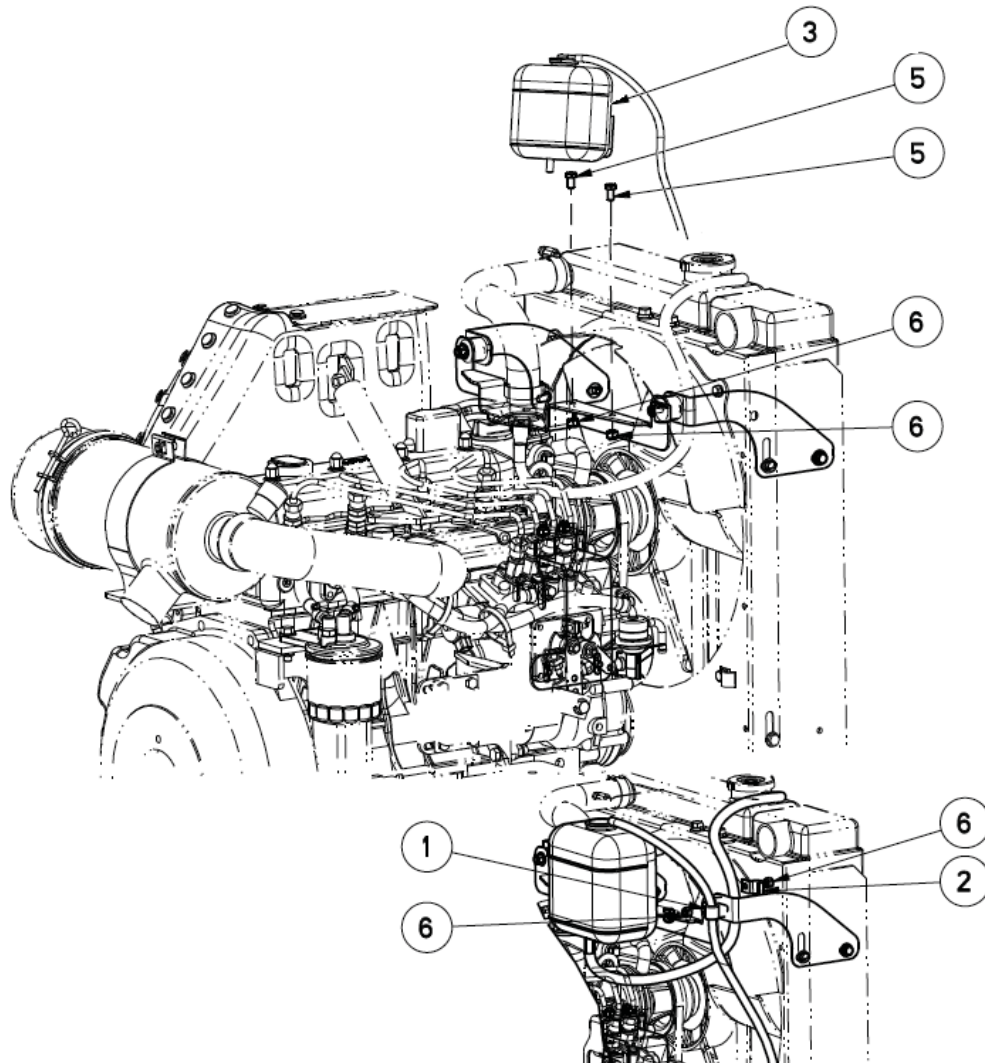
| ENGINE KUBOTA V1505 DIESEL - EXHAUST DETAIL | | | |
|---|------------|-------|--|
| ITEM | PART NO. | REQ'D | DESCRIPTION |
| 1 | 3301641 | 2 | CLAMP-EXHAUST 1 1/2 |
| 2 | 3330627 | 1 | MUFFLER-KUBOTA V1505 BOX |
| 3 | 3330629 | 1 | BLANKET-KUBOTA V1505E BOX EXHAUST |
| 4 | EPS2655 | 1 | STAY MUFFLER |
| 5 | 3335036 | 1 | EXHAUST-KUBOTA V1505 9X |
| 6 | 3401570-7W | 4 | WASHER-NORD-LOCK, 1/4, 0.53 OD |
| 7 | 3336632 | 1 | PLT - EXHAUST MNT BRKT |
| 8 | 690113 | 1 | BRACKET, UPPER EXHAUST HANGER, 9X/AM9D |
| 9 | 3400071 | 4 | NUT-HEX 1/4-20 |
| 10 | 3400103 | 2 | WASHER-LOCK 1/4 SPLIT |
| 11 | 3344112 | 2 | ISO-CYL, 1 DIA X 3/4 X 1/4-20, |
| 12 | 3400043 | 2 | SCR-HH 1/4-20 X .50 ZINC |
| 14 | 3400089 | 2 | WASHER-FLAT 1/4 STANDARD |
| 15 | 3335134 | 1 | EXHAUST FUNNEL, ARMA |
| 16 | 713002 | 4 | BLT-HH 1/4-20 X .75 #5 ZINC |
| 17 | 3400383 | 4 | WASHER-CONICAL SPRING 1/4 |
| 18 | 711425 | 4 | NUT-FLANGED WIZZ 1/4-20 STL ZP |

ENGINE KUBOTA V1505 DIESEL - RADIATOR DETAIL



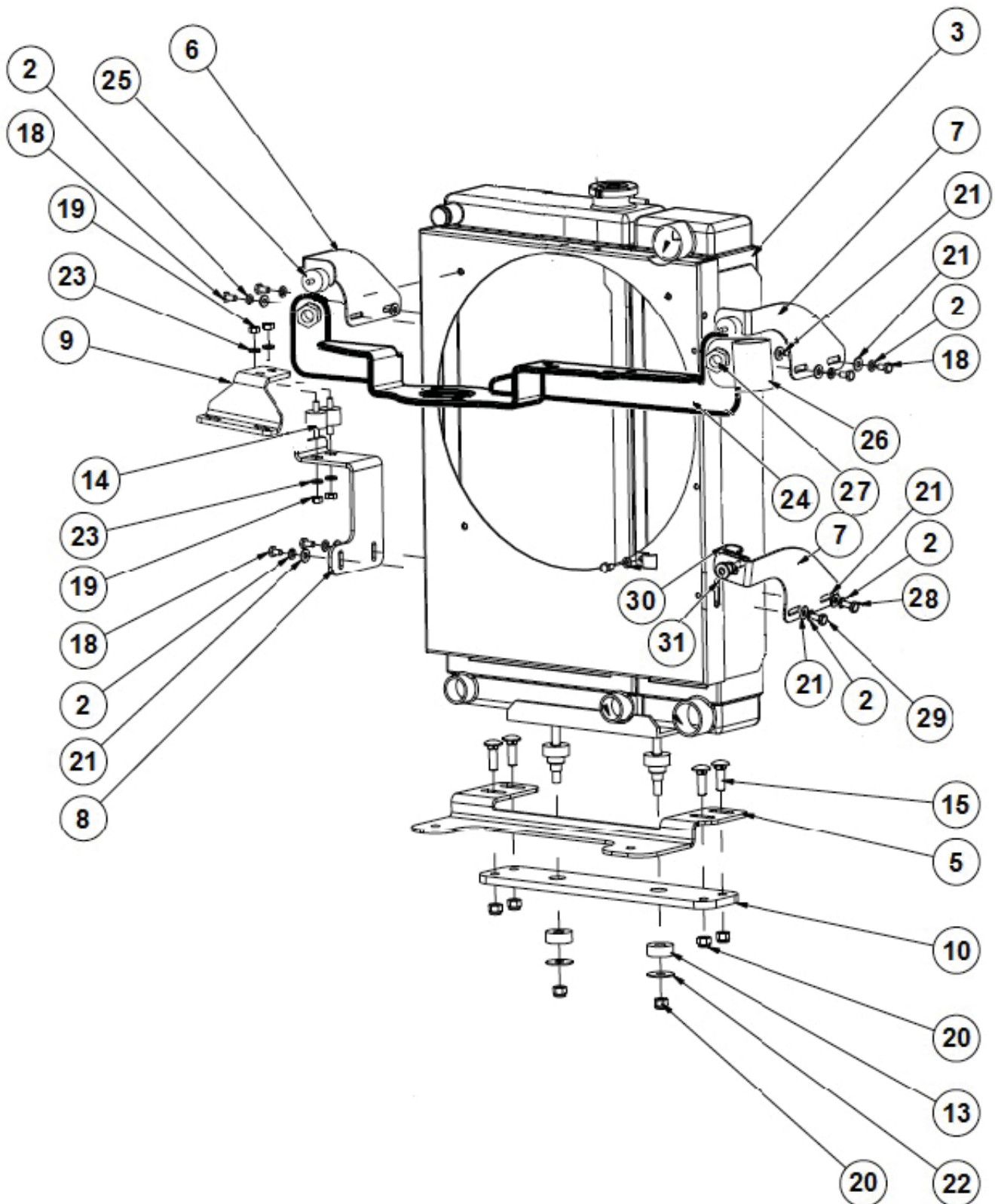
| ENGINE KUBOTA V1505 DIESEL - RADIATOR DETAIL | | | |
|--|----------|-------|--|
| ITEM | PART NO. | REQ'D | DESCRIPTION |
| 1 | 675503 | 1 | FTG-STR THD CONNECTOR -12 ORFS TO -16 S |
| 1A | 675530 | 1 | FTG-STR THD CONNECTOR -8 ORFS TO -16 S |
| 2 | 3336527 | 1 | RADIATOR CAP |
| 3A | 690019 | 24" | HOSE, RADIATOR TO OVERFLOW BOTTLE, 21" LENGTH |
| 3B | 690019 | 36" | HOSE, OVERFLOW BOTTLE EXIT, 36" LENGTH |
| 4 | 675419 | 1 | HYD HOSE - RAD OUT TO RESV |
| 5 | 690033 | 1 | MOUNT-RADIATOR HYD W/COOLER |
| 6 | 3332643 | 2 | HOSE-UPPER RADIATOR, KUBOTA 1505 |
| 7 | 3303255 | 4 | CLAMP-HOSE 1.75 DIA NOMINAL |
| 8 | 690125 | 1 | RADIATOR-OIL COOLER, LP/GAS/DSL |
| 9 | 690150 | 1 | ASSY, FAN SHROUD, DSL/LP/GAS |
| 10 | 3333489 | 1 | FTG-RADIATOR HOSE |
| 11 | 690020 | 1 | LOWER RADIATOR HOSE, AM9D |
| 12 | 675418 | 1 | HYD HOSE - FILTER OUT TO RAD |
| 13 | 3333488 | 1 | FTG-PLUG, RADIATOR |
| 14 | 3301733 | 2 | DECAL-WARNING FAN (RAD SHROUD) |
| -- | 690225 | 4 | CLAMP- HOSE .460 (NOT SHOWN - USED WITH ITEMS 3A and 3B ON EACH END) |

ENGINE KUBOTA V1505 DIESEL - RADIATOR COOLANT TANK & MOUNT



| ENGINE KUBOTA V1505 DIESEL - RADIATOR COOLANT TANK & MOUNT | | | |
|--|----------|-------|---|
| ITEM | PART NO. | REQ'D | DESCRIPTION |
| 1 | 713527 | 1 | P-CLAMP, VINYL COVERED, 1/2 DIA |
| 2 | 3301158 | 1 | CLAMP-CABLE 11/16" DIA CLAMP-SADDLE TYPE 5/16" DIA. |
| 3 | 3344101 | 1 | RESERVOIR ASSY |
| 4 | 3344112 | 4 | ISOLATOR- CYLINDRICAL, 1 DIA X 3/4 X 1/4-20, |
| 5 | 713002 | 6 | BLT-HH 1/4-20 X .75 #5 ZINC |
| 6 | 711373 | 10 | NUT-NYLOC 1/4-20 |

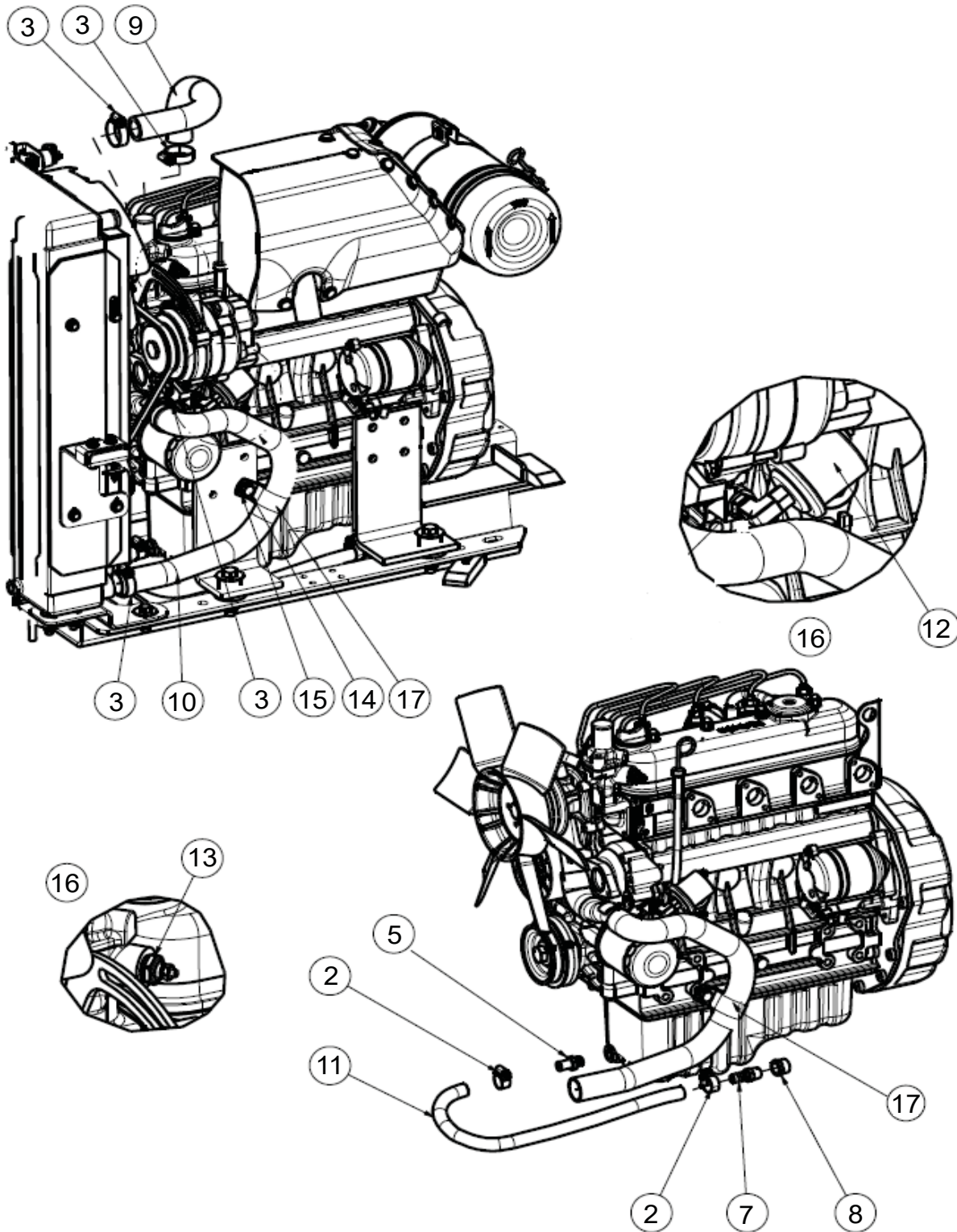
ENGINE KUBOTA V1505 DIESEL - RADIATOR ASSY & MOUNTING BRACKETS



ENGINE KUBOTA V1505 DIESEL - RADIATOR ASSEMBLY & MOUNTING BRACKETS

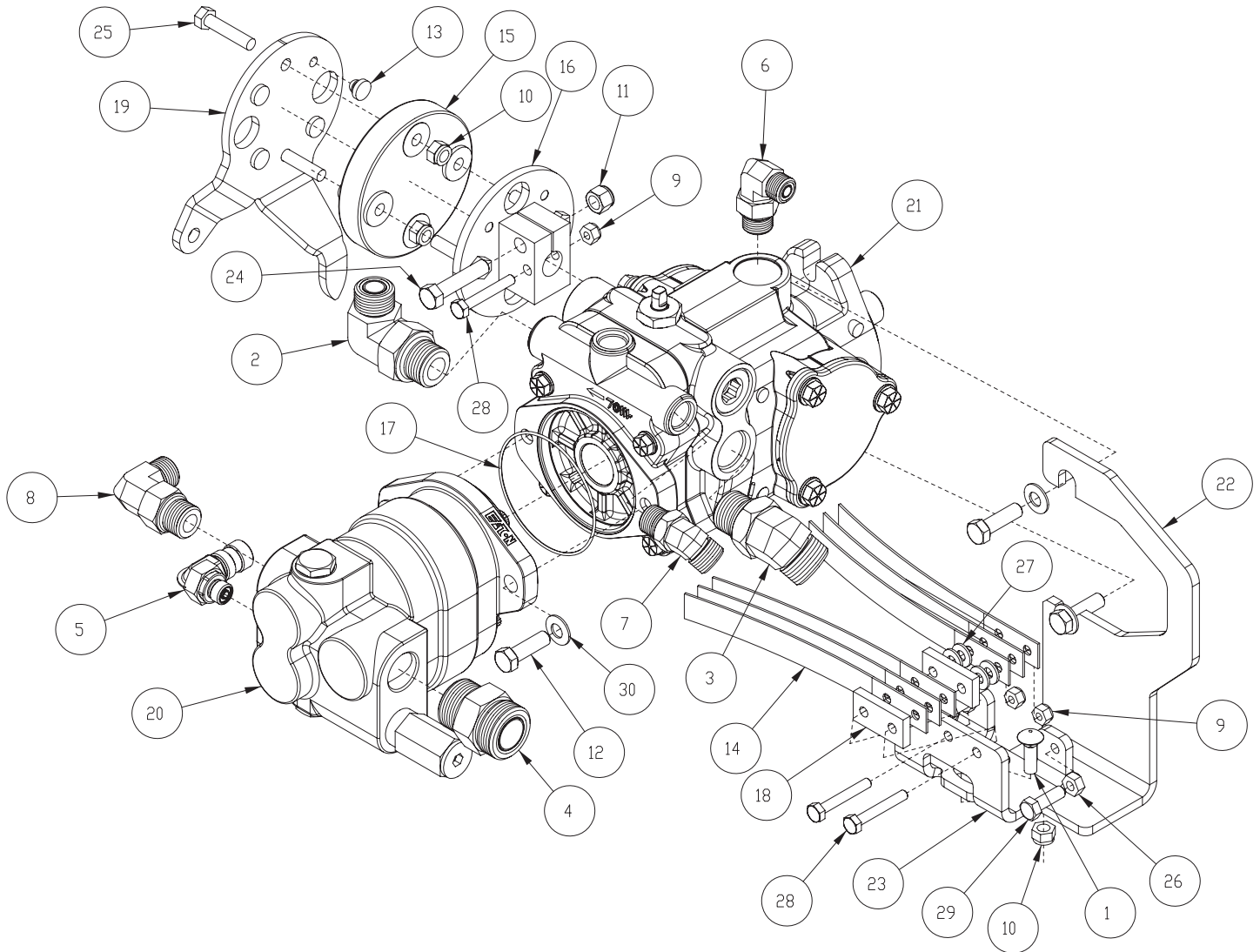
| ITEM | PART NO. | REQ'D | DESCRIPTION |
|------|------------|-------|--|
| 1 | 3301158 | 1 | CLAMP-SADDLE TYPE 11/16" DIA. |
| 2 | 3400103 | 8 | WASHER-LOCK 1/4 SPLIT |
| 3 | 690125 | 1 | RADIATOR-OIL COOLER COMBO |
| 4 | 690150 | 1 | ASSY, FAN SHROUD, DSL/LP/GAS |
| 5 | 690033 | 1 | PLATE- BASE, RADIATOR MOUNT, AM9D |
| 6 | 3336627 | 1 | PLT-RADIATOR MNT, RH TOP |
| 7 | 3336629 | 2 | PLT - RADIATOR MNT, LH TOP |
| 8 | 3336632 | 1 | PLT - EXHAUST MNT BRKT |
| 9 | 690113 | 1 | PLT - EXHAUST MNT, UPPER BRKT |
| 10 | 3336634 | 1 | PLT - RADIATOR MNT |
| 13 | 3344110 | 2 | ISOLATOR-BONDED BUSHING BOTTOM RADIATOR |
| 14 | 3344112 | 2 | ISOLATOR- CYLINDRICAL, 1 DIA X 3/4 X 1/4-20, |
| 15 | 3400007 | 4 | SCR-CAR,3/8-16X1.25 |
| 18 | 711207 | 6 | BLT-HH 1/4-20 X 1.00 STL ZINC |
| 19 | 3400071 | 4 | NUT-HEX 1/4-20 |
| 20 | 711380 | 6 | NUT-NYLOC 3/8-16 |
| 21 | 3400089 | 8 | WASHER-FLAT 1/4 ZP |
| 22 | 3400278 | 2 | WASHER-FENDER 3/8 |
| 23 | 3401570-7W | 4 | WASHER-NORD-LOCK, 1/4, 0.53 OD |
| 24 | 661133 | 1 | BRKT, RADIATOR, UPPER |
| 25 | 3334426 | 1 | ISOLATOR-RAD MNT |
| 26 | 713527 | 1 | P-CLAMP, VINYL COVERED, 1/2 DIA |
| 27 | 711374 | 2 | NUT-NYLOC 5/16-18 ZP |
| 28 | 713001 | 1 | SCR-HH 1/4-20 X .62 PLAIN GR 5 |
| 29 | 713002 | 1 | SCR-HH 1/4-20 X .75 ZP 5 |
| 30 | 82-54-A | 1 | CLAMP-P .75 I.D. 5/16 DIA. |
| 31 | 711228 | 1 | SCR-HH 5/16-18 X .75 ZP GR 5 |

ENGINE KUBOTA V1505 DIESEL - RADIATOR ASSY, CLAMPS, HOSES & SENDERS



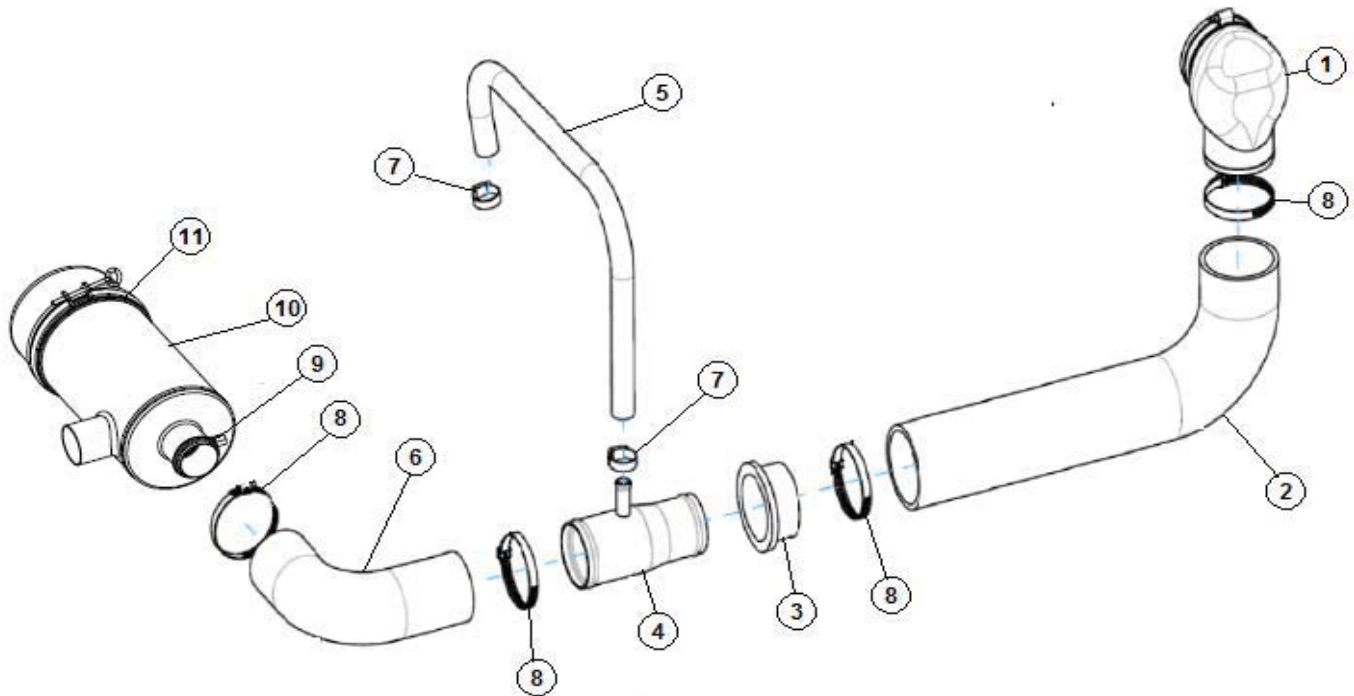
| ENGINE KUBOTA V1505 DIESEL - RADIATOR ASSEMBLY, CLAMPS, HOSES & SENDERS | | | |
|--|-----------------|--------------|---|
| ITEM | PART NO. | REQ'D | DESCRIPTION |
| 2 | 713527 | 2 | CLAMP-HOSE 1/2 NOM |
| 3 | 3301158 | 4 | CLAMP-HOSE 1.25 NOM |
| 5 | 3345502 | 1 | ADAPTER, OIL DRAIN - MALE/FEMALE |
| 7 | 3345503 | 1 | FTG-BRASS,3/8" BARB X 1/4" MALE NPT |
| 8 | 3345506 | 1 | FTG-BRASS,3/8" BARB X 1/4" FEMALE NPT |
| 9 | 3332643 | 1 | HOSE-RAD UPPER 1505 |
| 10 | 690020 | 1 | HOSE-RAD LOWER 1505 |
| 11 | 3345505 | 1 | HOSE - 1/2" ID X 24" PCV OIL DRAIN |
| 12 | 3341069 | 1 | SENDER-OIL PRESSURE 12V |
| 13 | 3341070 | 1 | SENDER-TEMPERATURE 12V |
| 14 | 711206 | 2 | SCR-HH 1/4-20 X .87 ZP GR 5 |
| 15 | 3400385 | 1 | WASHER-CONICAL SPRING 3/8 |
| 16 | 3401122 | 0.100 | 565 PST. Thrd Slnt 50ml (WHITE LOCTITE 565) |
| 17 | 3343082 | 1 | CLAMP-PIPE, 9/16 DIA, INSULATED |

ENGINE KUBOTA V1505 DIESEL, WG1605 GAS & LPG - HYDRAULIC PUMP DETAIL



| ENGINE KUBOTA V1505 DIESEL - HYDRAULIC PUMP DETAIL | | | |
|--|-----------|-------|--|
| ITEM | PART NO. | REQ'D | DESCRIPTION |
| 1 | 70-516-16 | 2 | BLT-CARR 5/16-18 X 1 ZINC |
| 2 | 675500 | 1 | FTG-STR ELBOW -10 ORFS TO -12 SAE |
| 3 | 675502 | 1 | FTG-45 DEG STR ELBOW -12 ORFS TO -12 SAE |
| 4 | 675505 | 1 | FTG-STR THD CONNECTR -16 ORFS TO -16 SAE |
| 5 | 675512 | 1 | FTG-STR THD ELBOW -4 ORFS TO -8 SAE |
| 6 | 675520 | 1 | FTG-STR THD ELBOW -6 ORFS TO -8 SAE |
| 7 | 675527 | 1 | FTG-45 DEG STR THREAD ELBOW -8 ORFS TO |
| 8 | 675528 | 1 | FTG-STR THD ELBOW -8 ORFS TO -10 SAE |
| 9 | 711373 | 3 | NUT-NYLOC 1/4-20 |
| 10 | 711374 | 6 | NUT-NYLOC 5/16-18 |
| 11 | 711380 | 1 | NUT-NYLOC 3/8-16 |
| 12 | 713043 | 4 | BLT-HH 3/8-16 X 1.25 #5 |
| 13 | 3300526 | 8 | BUMPER-RUBBER 1/4 ID X 1/8 THK |
| 14 | 3300543 | 6 | SPRING-FWD/REV RETURN |
| 15 | 3301507 | 1 | COUPLING-RUBBER, DIR CONTROL |
| 16 | 3301544 | 1 | DISC FWD/REV ZP |
| 17 | 3303711 | 1 | ORING-STATIC SEAL 3.239 ID |
| 18 | 3303918 | 2 | SPACER-FWD/REV BRACKET ZP |
| 19 | 3307219 | 1 | PLATE-DIRECTIONAL CONT PLTD SW/A |
| 20 | 3321397 | 1 | PUMP-AUX HYDRAULIC (9XR, 9XD, 10X, AM9D) |
| 21 | 3335072 | 1 | PUMP-PISTON, VARIABLE, 1.44 CIR, PROPEL |
| 22 | 3335200 | 1 | PLATE- FWD/REV SPRING MNT V1505 |
| 23 | 3335301 | 1 | BRKT-FWD/REV ZP. 9X |
| 24 | 3400027 | 1 | SCR-HEX, 3/8-16X1.75 ZP |
| 25 | 3400033 | 4 | SCR-HEX, 5/16-18X1.50 ZP |
| 26 | 3400069 | 2 | NUT-HEX 5/16-24 ZP |
| 27 | 3400089 | 4 | WASHER-FLAT 1/4 STANDARD ZP |
| 28 | 3400173 | 3 | SCR-HH, 1/4-20X1.75, PART THRD, GR 5, ZP |
| 29 | 3400221 | 2 | SCR-HH, 5/16-24X1.00 GR 5, ZP |
| 30 | 3400385 | 4 | WASHER-CONICAL SPRING 3/8 |

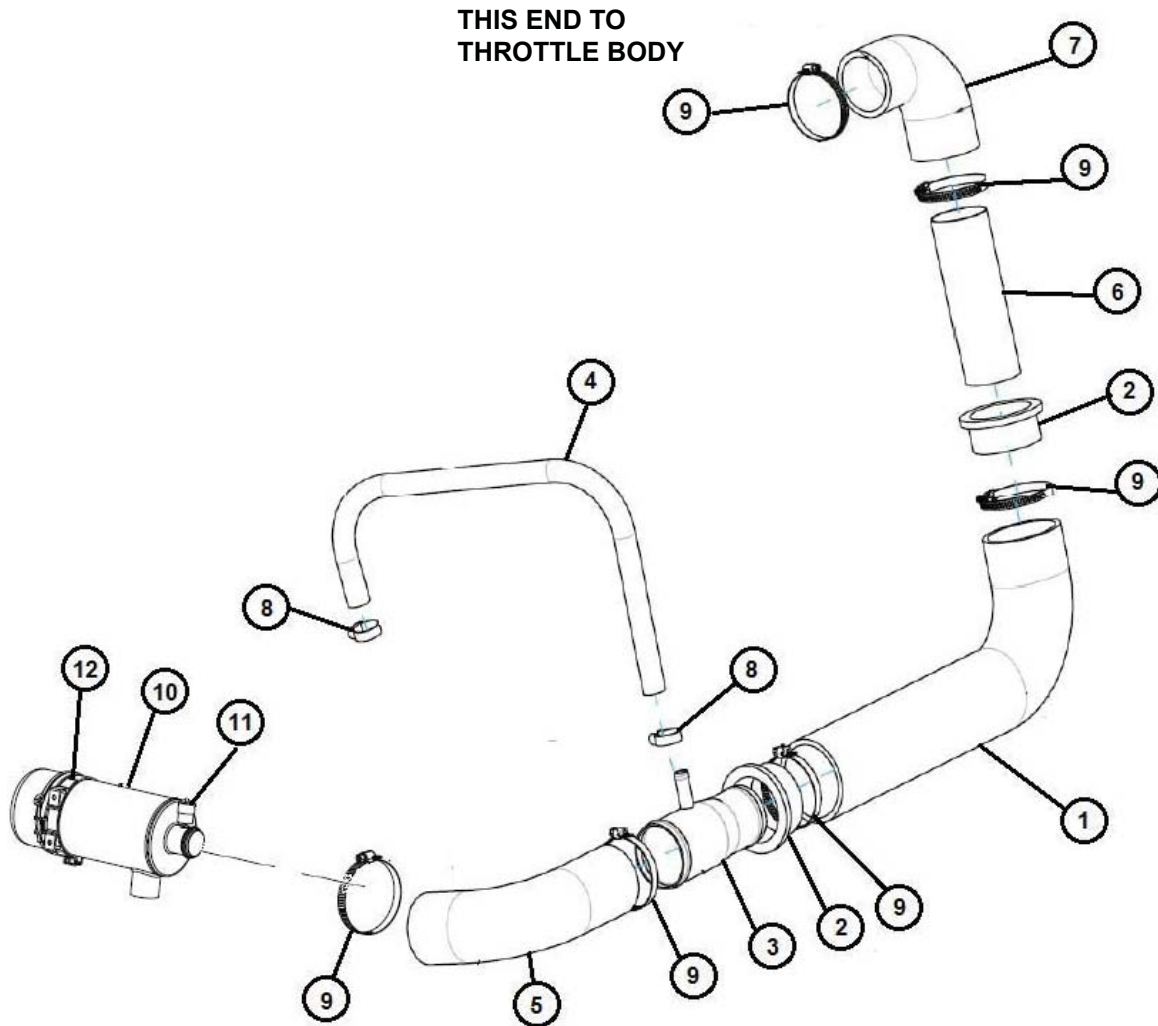
ENGINE KUBOTA WG1605 LPG - AIR CLEANER DETAIL



ENGINE KUBOTA WG1605 LPG - AIR CLEANER DETAIL

| ITEM | PART NO. | REQ'D | DESCRIPTION |
|------|----------|-------|---|
| 1 | 690194 | 1 | COUPLER NECK, THROTTLE BODY - 9X LP |
| 2 | 690195 | 1 | INDUCTION HOSE, ENGINE SIDE - 9X LP |
| 3 | 690196 | 1 | COUPLER, REDUCER, 2.5 TO 2.25 - 9X LP |
| 4 | 690197 | 1 | TUBE, INDUCTION - 9X LP |
| 5 | 690198 | 1 | HOSE, CRANK CASE VENT - 9X GAS/LP |
| 6 | 690199 | 1 | INDUCTION HOSE, AIR CLEANER SIDE - 9X |
| 7 | 829129 | 2 | CLAMP-HOSE WORM-DRV8-22MM HOSE DIA. 5/16 |
| 8 | 3044112 | 4 | CLAMP-HOSE, SS, 2.50 MAX WORM |
| 9 | 3303991 | 1 | INDICATOR-AIR CLEANER RESTRICTION |
| 10 | 3303031 | 1 | AIR CLNR- HEAVY DUTY; CAP, MOUNT, HOUSING |
| 11 | 690008 | 1 | CLAMP, W-FOOT, AIR CLEANER, AM9D |

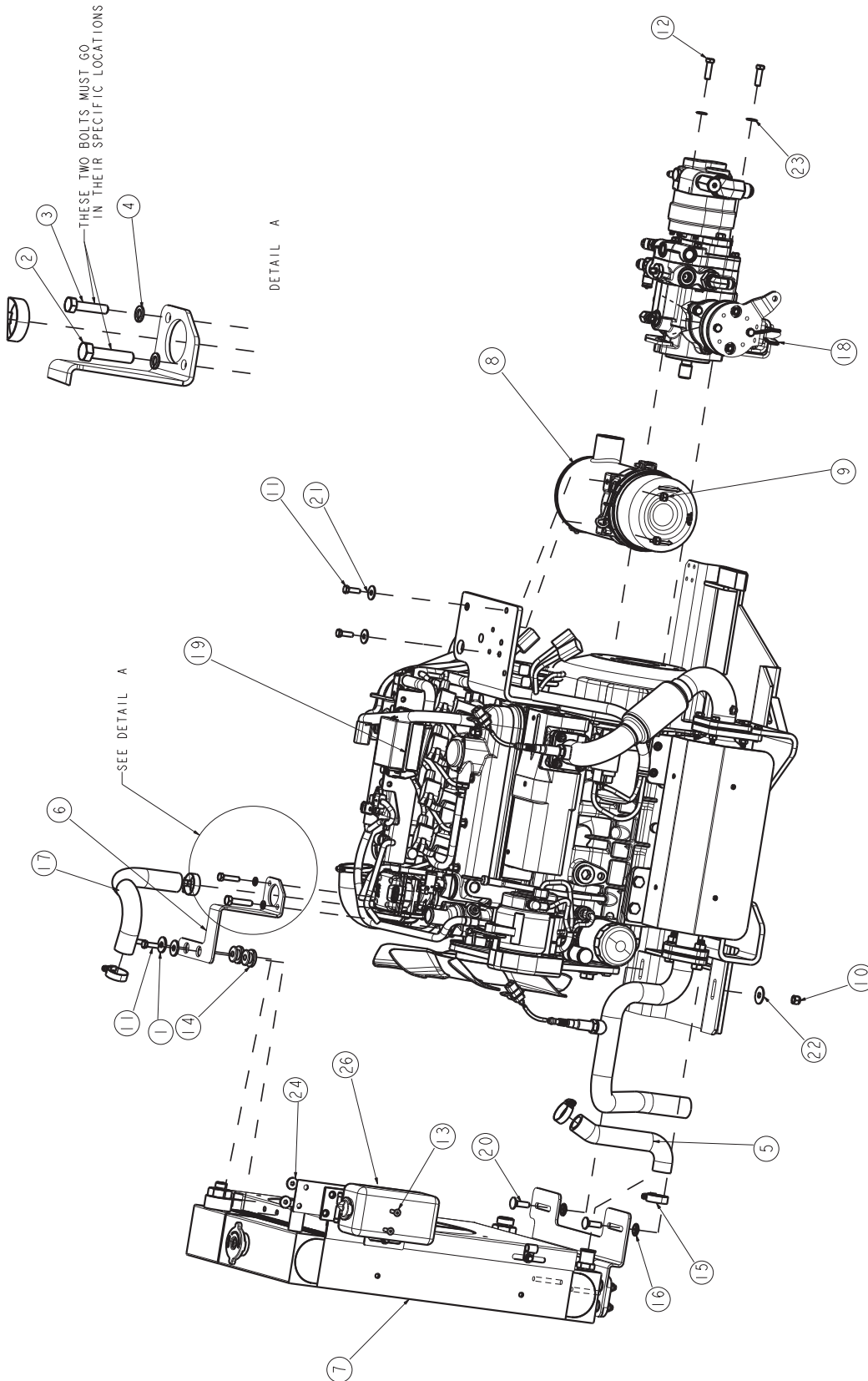
ENGINE KUBOTA WG1605 GAS - AIR CLEANER DETAIL



ENGINE KUBOTA WG1605 GAS - AIR CLEANER DETAIL

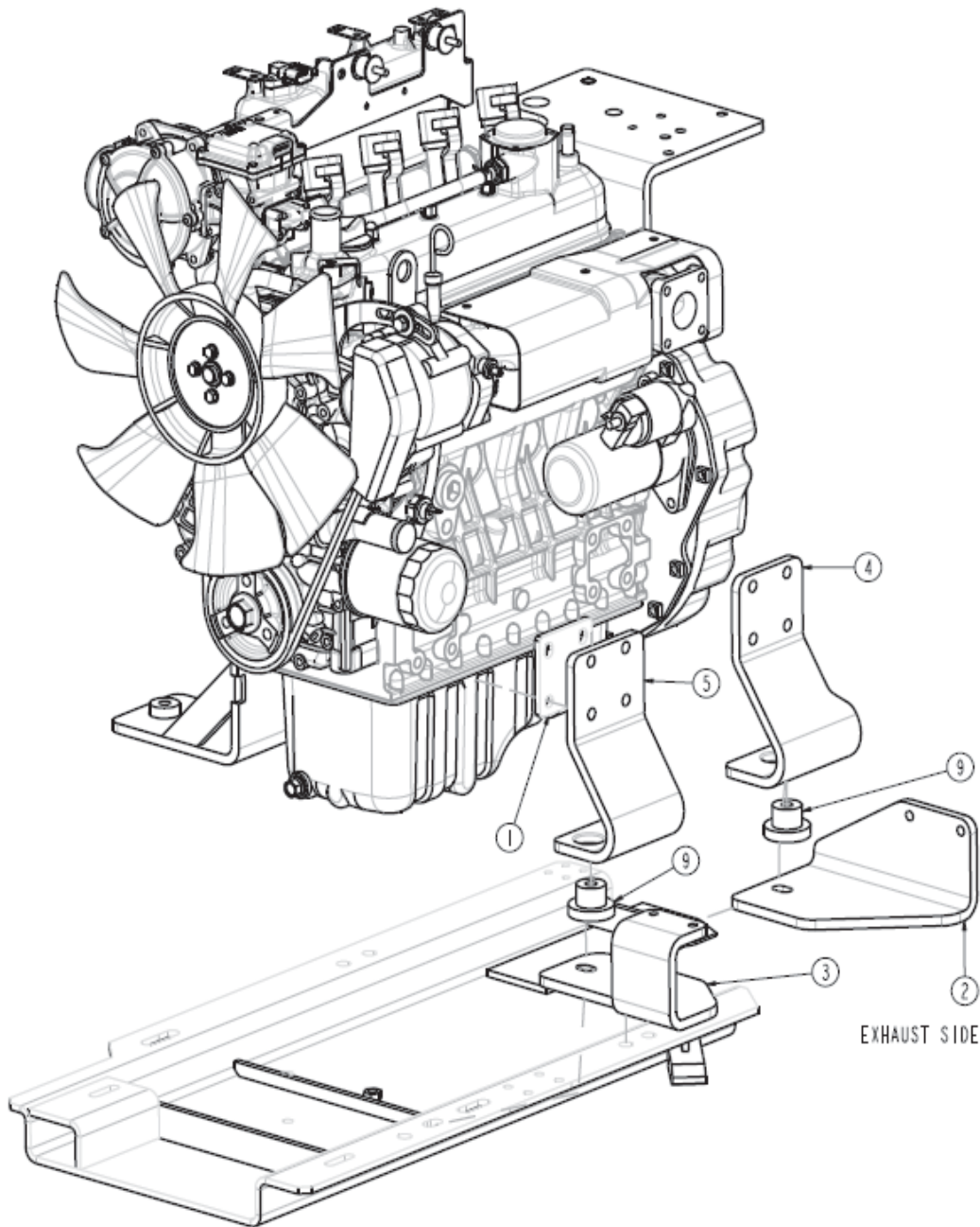
| ITEM | PART NO. | REQ'D | DESCRIPTION |
|------|----------|-------|---|
| 1 | 690195 | 1 | INDUCTION HOSE, ENGINE SIDE - 9X LP |
| 2 | 690196 | 2 | COUPLER, REDUCER, 2.5 TO 2.25 - 9X LP |
| 3 | 690197 | 1 | TUBE, INDUCTION - 9X LP |
| 4 | 690198 | 1 | HOSE, CRANK CASE VENT - 9X GAS/LP |
| 5 | 690199 | 1 | INDUCTION HOSE, AIR CLEANER SIDE - 9X |
| 6 | 690223 | 1 | TUBE, INDUCTION, UPPER |
| 7 | 690224 | 1 | INDUCTION HOSE, UPPER |
| 8 | 829129 | 2 | CLAMP-HOSE WORM-DRV8-22MM HOSE DIA. 5/16 |
| 9 | 3044112 | 6 | CLAMP-HOSE, SS, 2.50 MAX WORM |
| 10 | 3303031 | 1 | AIR CLNR- HEAVY DUTY; CAP, MOUNT, HOUSING |
| 11 | 3303991 | 1 | INDICATOR-AIR CLEANER RESTRICTION |
| 12 | 690008 | 1 | CLAMP, W-FOOT, AIR CLEANER, AM9D |

ENGINE KUBOTA WG1605 GAS & LPG ENGINE ASSEMBLY



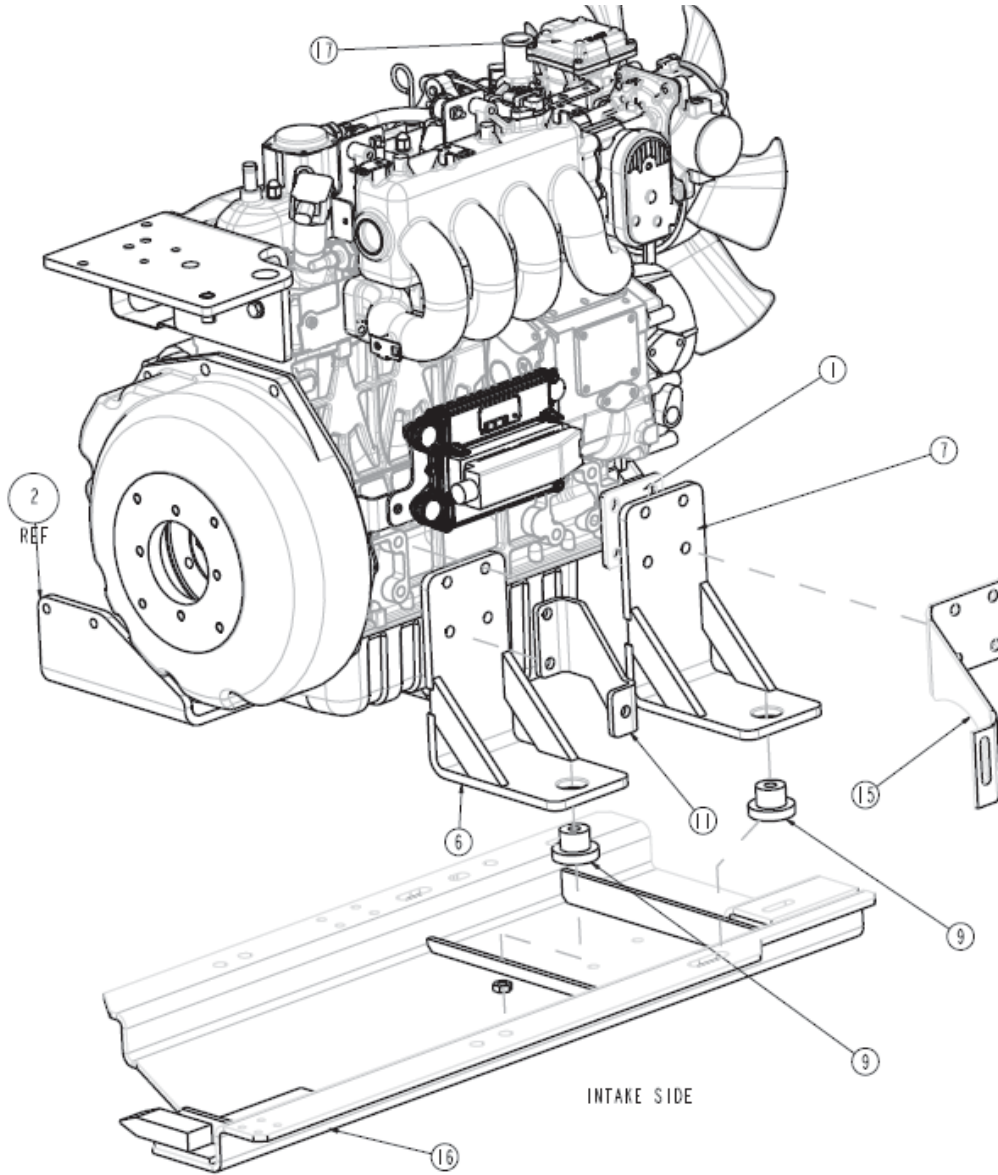
| ENGINE KUBOTA WG1605 GAS & LPG ENGINE ASSEMBLY | | | |
|--|----------|-------|---|
| ITEM | PART NO. | REQ'D | DESCRIPTION |
| 1 | 600363 | 2 | WASHER-FLAT .39 X 1.12 X .1 ZP |
| 2 | 600820 | 1 | SCR-HH M8-1.25 X 45 ZP CLASS 8.8 |
| 3 | 600918 | 1 | SCR-HH M8-1.25 X 35 ZP CLASS 8.8 |
| 4 | 600959 | 2 | WASHER-LOCK M8 ZINC SPLIT |
| 5 | 690020 | 1 | LOWER RADIATOR HOSE, AM9D |
| 6 | 690161 | 1 | BRKT, RADIATOR UPPER - 9X LP/GAS |
| 7 | 690125 | 1 | RADIATOR-OIL COOLER, LP/GAS/DSL |
| 8 | 690204 | 1 | GROUP, AIR CLEANER - 9X |
| 9 | 711374 | 2 | NUT-NYLOC 5/16-18 ZP |
| 10 | 711380 | 2 | NUT-NYLOC 3/8-16 ZP |
| 11 | 713027 | 4 | SCR-HH 5/16-18 X 1 ZP GR 5 |
| 12 | 713043 | 2 | SCR-HH 3/8-16 X 1.25 ZP GR 5 |
| 13 | 731382 | 2 | SCR-FHSCS M6-1.00 X 20 ZP |
| 14 | 3300465 | 2 | ISOLATOR-RUBBER (.375IDx.81OD) |
| 15 | 3303255 | 4 | CLAMP-HOSE 1.75 DIA NOMINAL |
| 16 | 3316981 | 2 | NUT-PUSH RETAINER 3/8 BOLT, 25/32 OD ZP |
| 17 | 3332643 | 1 | HOSE-RAD UPPER 1505 (COOLER) |
| 18 | 3338792 | 1 | SUB-HYDRAULIC PUMPS ARMA |
| 19 | 690176 | 1 | ENGINE, BASE - 9X LP |
| | 690221 | 1 | ENGINE, RAW, WG1605, GASOLINE - 9X |
| 20 | 3400007 | 2 | BLT-CARR 3/8-16 X 1.25 ZP |
| 21 | 3400233 | 2 | WASHER-FENDER 5/16 X 1.00 ZP |
| 22 | 3400278 | 2 | WASHER-FENDER 3/8 X 1.25 ZP |
| 23 | 3400385 | 2 | WASHER-CONICAL SPRING 3/8 |
| 24 | 12040044 | 2 | NUT-NYLOC M6 X 1.0 ZP CLASS 6 |
| 25 | 12347027 | 2 | WASHER-FLAT M6.6 X 22 X 2 ZP |
| 26 | 3318752 | 1 | RSRVR-COOLANT OVRFLW |

ENGINE KUBOTA WG1605 GAS & LPG - MOUNTS-EXHAUST SIDE



| ENGINE KUBOTA WG1605 GAS & LPG - MOUNTS-EXHAUST SIDE | | | |
|---|-----------------|--------------|----------------------------|
| ITEM | PART NO. | REQ'D | DESCRIPTION |
| 1 | 690030 | 2 | SPACER, ENGINE MOUNT |
| 2 | 690162 | 1 | BRACKET, CAT CONV. SUPPORT |
| 3 | 690163 | 1 | BRACKET, CAT CONV. OUTER |
| 4 | 690165 | 1 | MOUNT - FOOT LEFT REAR |
| 5 | 690166 | 1 | MOUNT - FOOT LEFT FRONT |
| 9 | 690175 | 4 | ISOLATOR - ENGINE MOUNT |

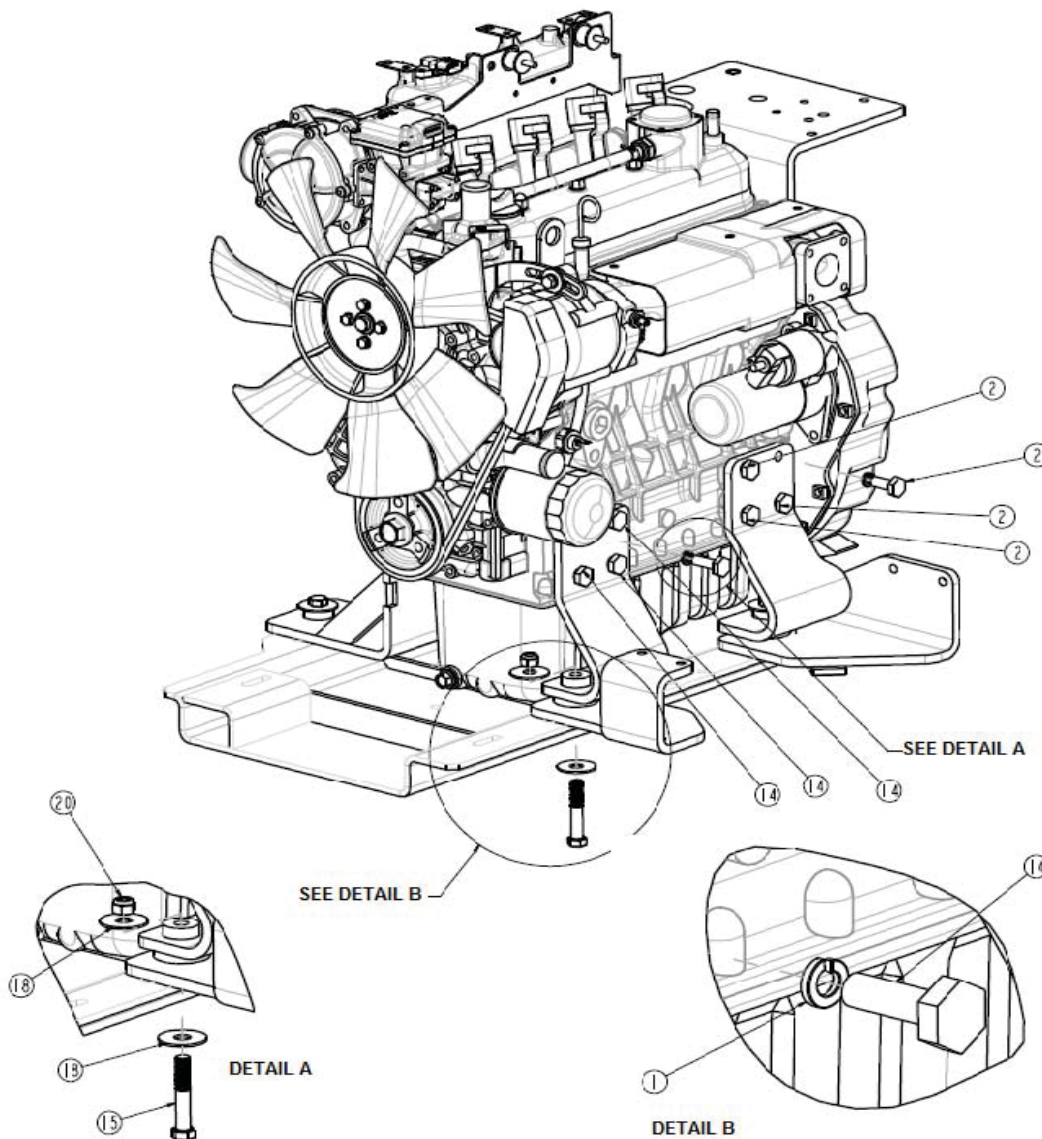
ENGINE KUBOTA WG1605 GAS & LPG - MOUNTS-INTAKE SIDE



ENGINE KUBOTA WG1605 GAS & LPG - MOUNTS-INTAKE SIDE

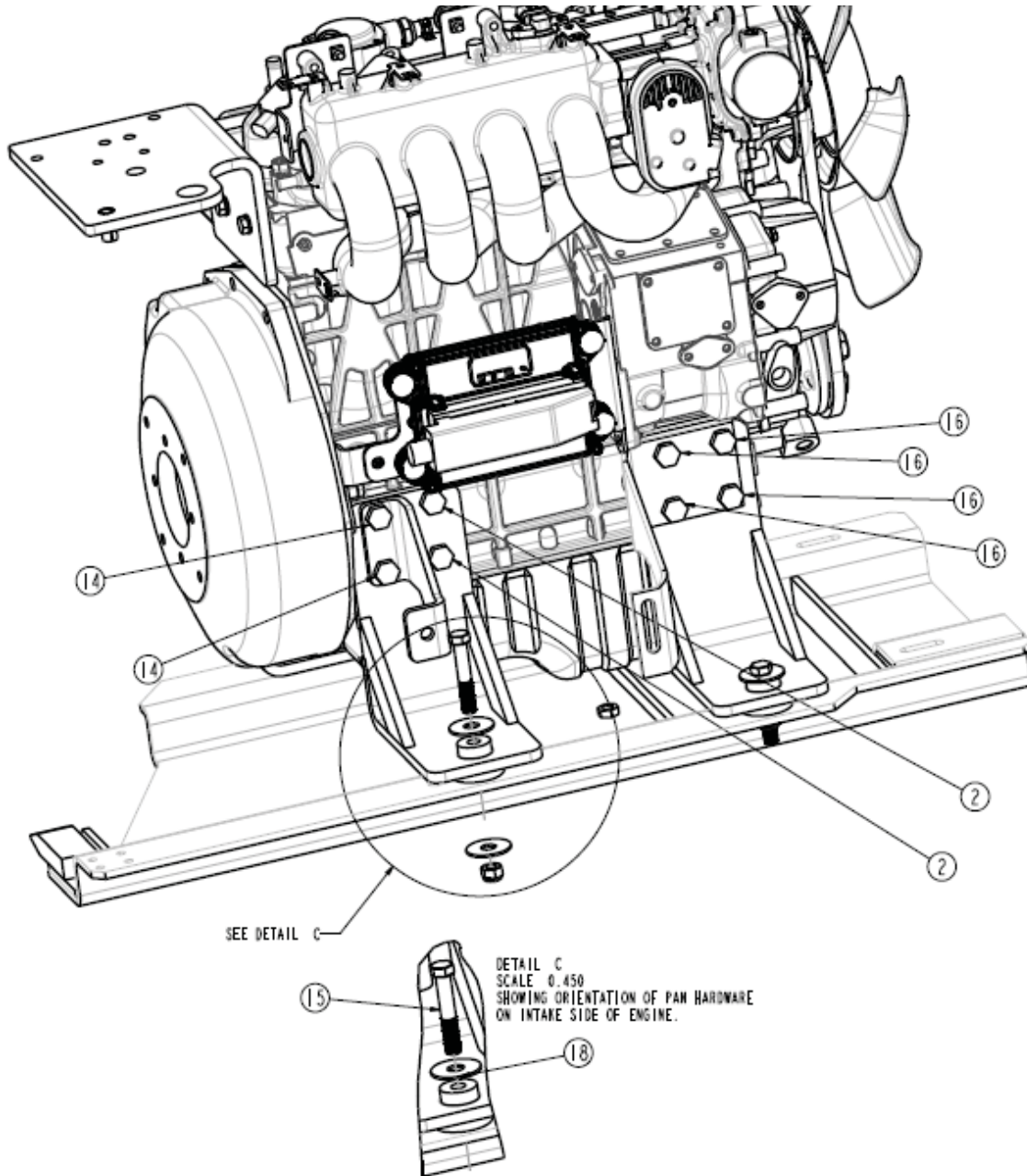
| ITEM | PART NO. | REQ'D | DESCRIPTION |
|------|----------|-------|----------------------------|
| 1 | 690030 | 2 | SPACER, ENGINE MOUNT |
| 2 | 690162 | 1 | BRACKET, CAT CONV. SUPPORT |
| 6 | 690167 | 1 | MOUNT - FOOT RIGHT REAR |
| 7 | 690168 | 1 | MOUNT - FOOT RIGHT FRONT |
| 9 | 690175 | 4 | ISOLATOR, ENGINE MOUNT |
| 11 | 690177 | 1 | BRACKET-HOSE HOLDER - REAR |
| 15 | 3333301P | 1 | BRACKET - HOSE RETAINER |
| 16 | 3334994M | 1 | ENGINE PAN |
| 17 | 690176 | 1 | ENGINE - LPG |
| | 690221 | 1 | ENGINE - GAS |

ENGINE KUBOTA WG1605 GAS & LPG - MOUNTING FASTENER DETAIL



| ENGINE KUBOTA WG1605 GAS & LPG - MOUNTING FASTENER DETAIL | | | |
|--|-----------------|--------------|--|
| ITEM | PART NO. | REQ'D | DESCRIPTION |
| 1 | 600945 | 16 | LOCKWASHER M10 |
| 2 | 620082 | 6 | BOLT M10 1.25 x .25 HH STL ZP (CLEAR) |
| 14 | 713038 | 6 | M10 - 1.25 x 30mm HHCS |
| 15 | 713534 | 4 | BOLT-HH 7/16 - 14 x 2.5 GRADE 5 ZINC |
| 18 | 3400091 | 8 | WASHER FENDER 1/2 ZP |
| 20 | 3401429 | 4 | NUT - 7/16 - 14 ES ZPBRACKET-HOSE RETAINER |

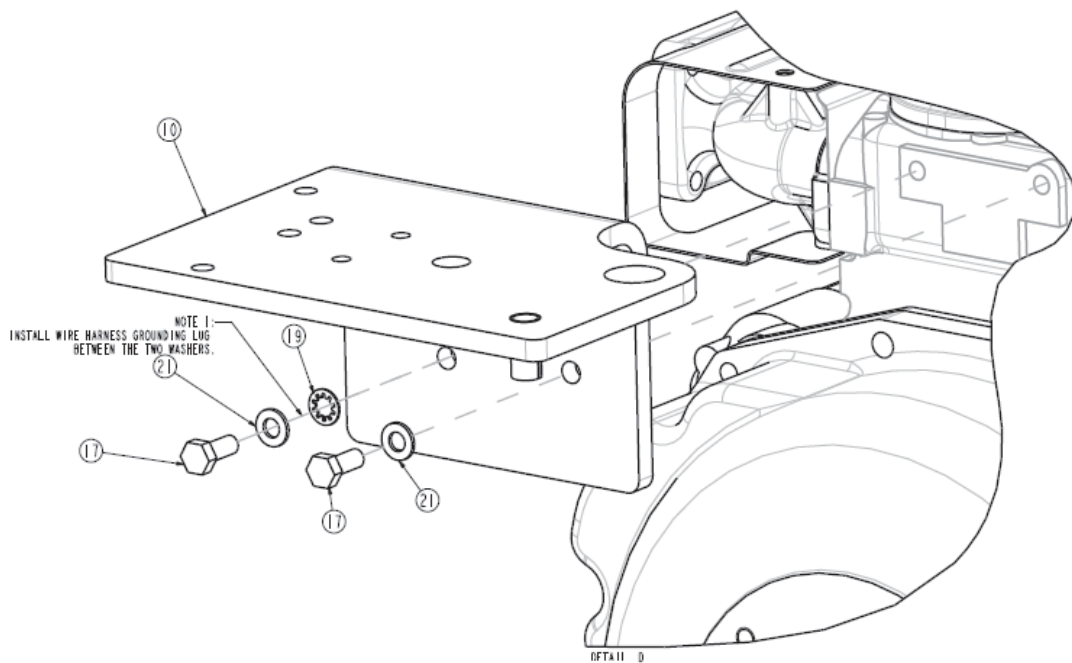
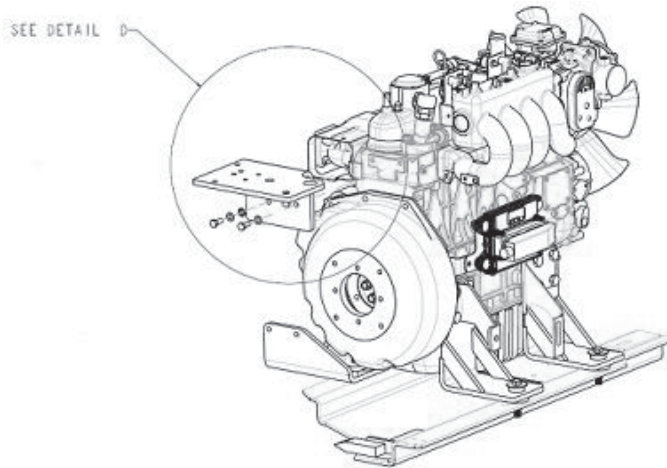
ENGINE KUBOTA WG1605 GAS & LPG - MOUNTING FASTENER DETAIL



ENGINE KUBOTA WG1605 GAS & LPG - MOUNTING FASTENER DETAIL

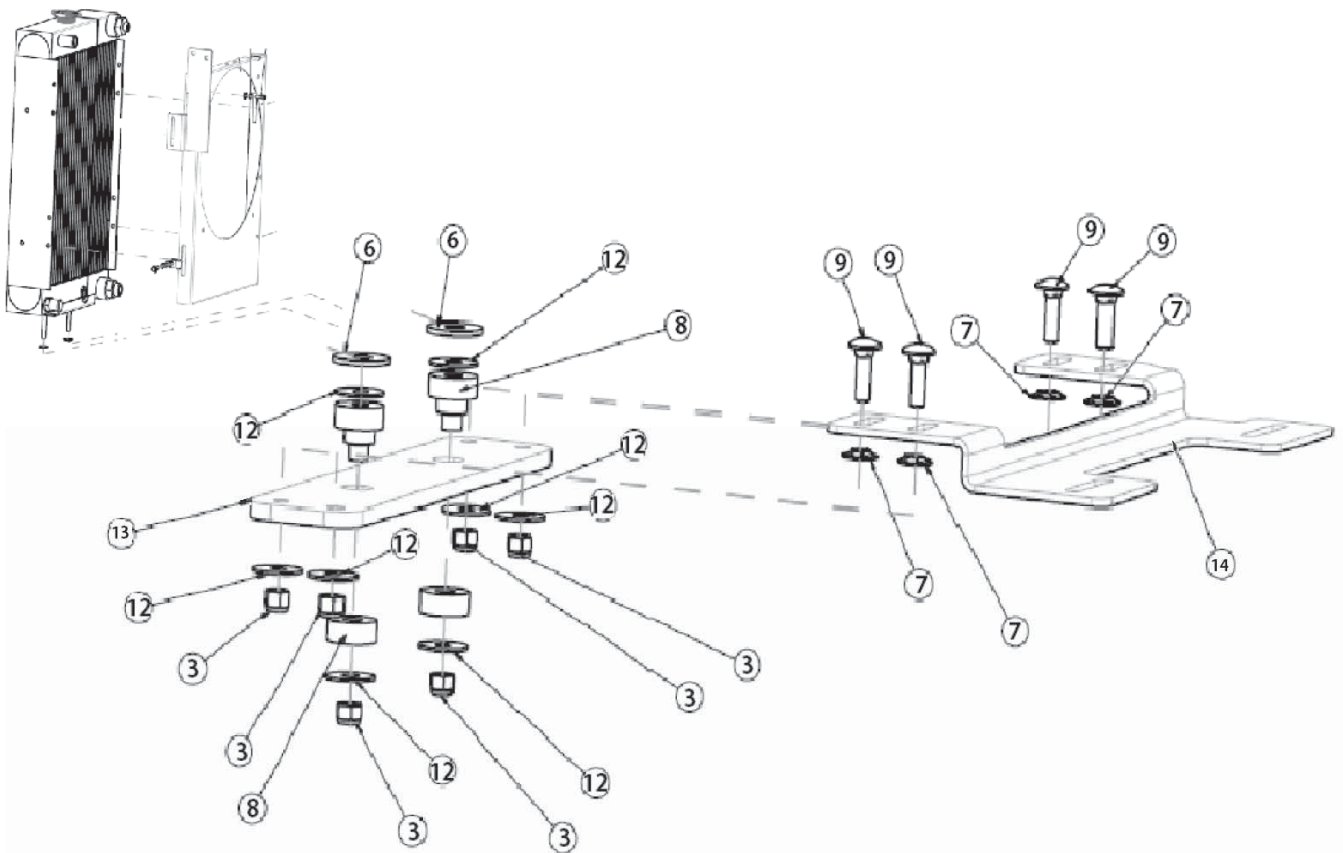
| ITEM | PART NO. | REQ'D | DESCRIPTION |
|------|----------|-------|--|
| 2 | 620082 | 6 | BOLT M10 1.25 x .25 HH STL ZP (CLEAR) |
| 14 | 713038 | 6 | M10 - 1.25 x 30mm HHCS |
| 15 | 713534 | 4 | BOLT-HH 7/16 - 14 x 2.5 GRADE 5 ZINC |
| 16 | 713535 | 4 | HHCS M10 - 1.25 x 35mm GR 8.8 ZINC |
| 18 | 3400091 | 8 | WASHER FENDER 1/2 ZP |
| 20 | 3401429 | 4 | NUT - 7/16 - 14 ES ZPBRACKET-HOSE RETAINER |

ENGINE KUBOTA WG1605 GAS & LPG - MOUNTING AIR CLEANER BRACKET



| ENGINE KUBOTA WG1605 GAS & LPG - MOUNTING AIR CLEANER BRACKET | | | |
|--|-----------------|--------------|----------------------------------|
| ITEM | PART NO. | REQ'D | DESCRIPTION |
| 10 | 690173 | 4 | BRKT, AIR CLEANER - 9X LP/GAS |
| 17 | 717024 | 2 | SCR-HH M8-1.25 X 20 ZP GRADE 8.8 |
| 19 | 3400273 | 1 | WASHER-INT LOCK 5/16 ZP |
| 21 | 12310041 | 2 | WASHER-FLAT M8.4 X 16 X 1.6 ZP |

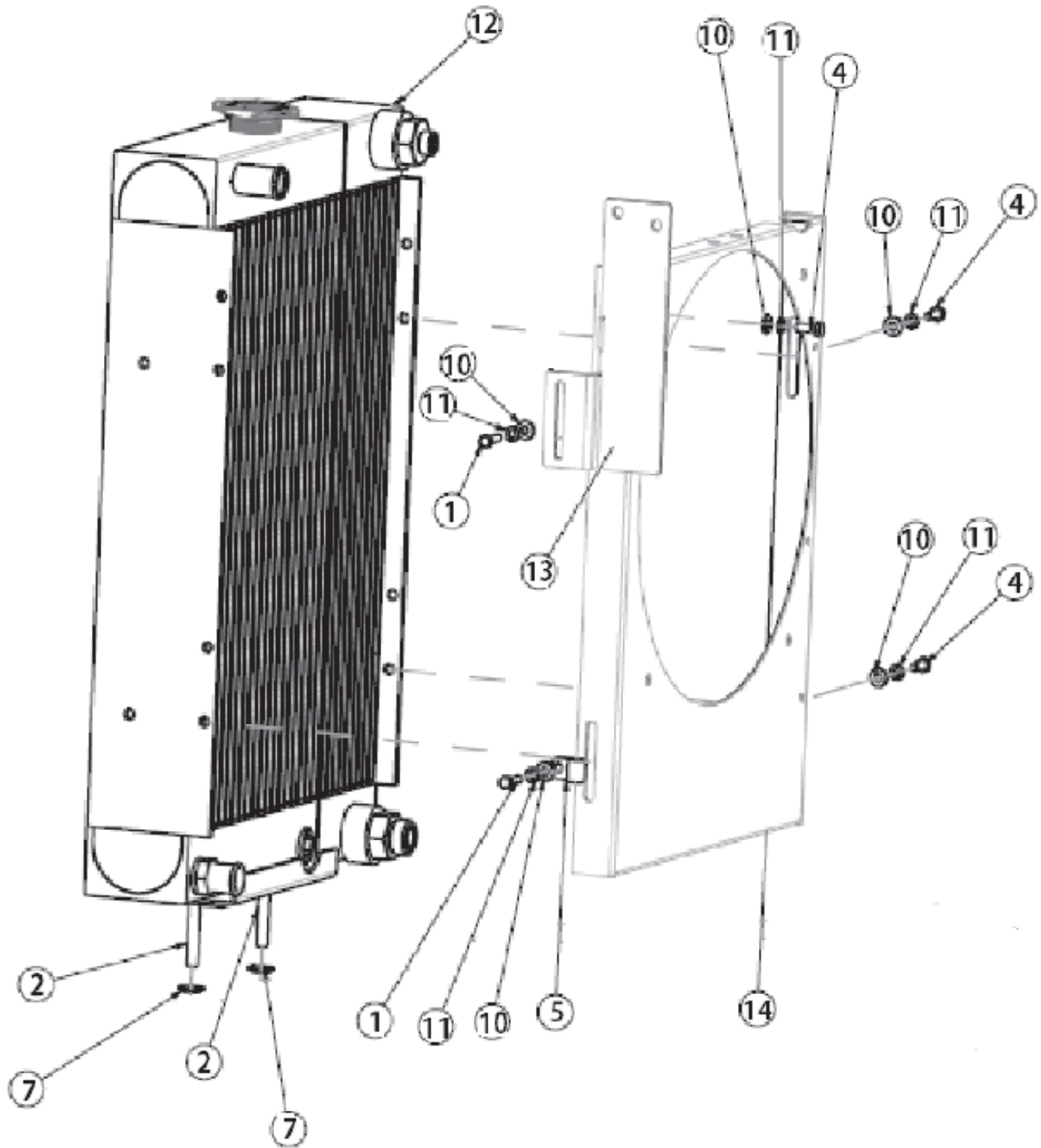
ENGINE KUBOTA WG1605 GAS & LPG - RADIATOR MOUNTS



ENGINE KUBOTA WG1605 GAS & LPG - RADIATOR MOUNTS

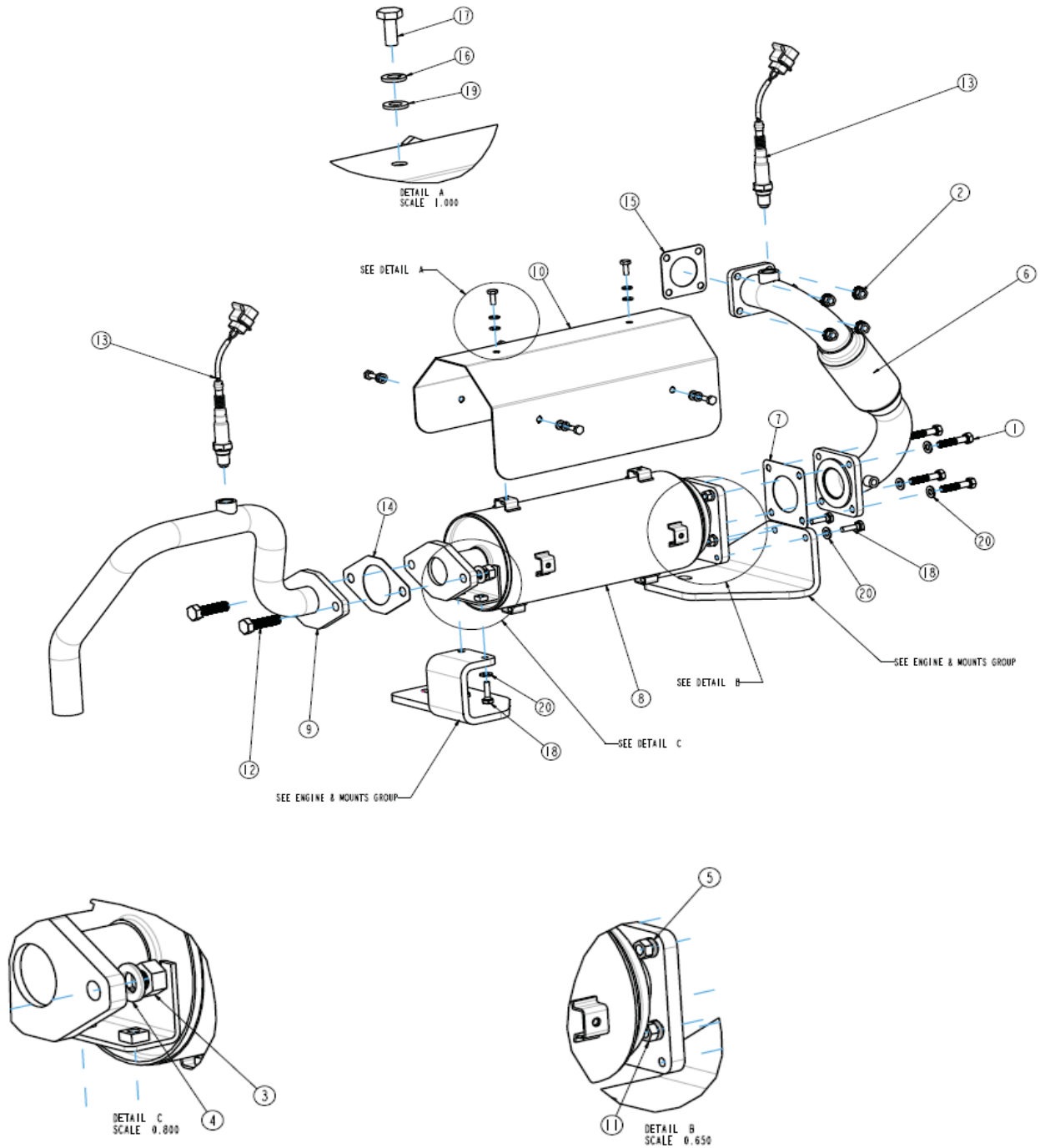
| ITEM | PART NO. | REQ'D | DESCRIPTION |
|------|----------|-------|---|
| 3 | 711380 | 6 | NUT-NYLOC 3/8-16 ZP |
| 6 | 730528 | 2 | WASHER-FENDER M12 X 37 SS |
| 7 | 3316981 | 4 | NUT-PUSH RETAINER 3/8 BOLT, 25/32 OD ZP |
| 8 | 3344110 | 2 | ISOLATOR-BONDED BUSHING BOTT RAD |
| 9 | 3400007 | 4 | BLT-CARR 3/8-16 X 1.25 ZP |
| 12 | 3400278 | 8 | WASHER-FENDER 3/8 X 1.25 ZP |
| 13 | 3336634 | 1 | PLATE- RADIATOR MNT |
| 14 | 690124 | 1 | PLATE BASE - RADIATOR MNT |

ENGINE KUBOTA WG1605 GAS & LPG - RADIATOR



| ENGINE KUBOTA WG1605 GAS & LPG - RADIATOR | | | |
|---|----------|-------|---|
| ITEM | PART NO. | REQ'D | DESCRIPTION |
| 1 | 711207 | 2 | SCR-HH 1/4-20 X 1.00 ZP GR 5 |
| 2 | 711254-1 | 2 | BLT-CARR 3/8-16 X 2.50 ZP |
| 4 | 713002 | 3 | SCR-HH 1/4-20 X .75 ZP 5 |
| 5 | 713527 | 1 | P-CLAMP, VINYL COVERED, 1/2 DIA |
| 7 | 3316981 | 2 | NUT-PUSH RETAINER 3/8 BOLT, 25/32 OD ZP |
| 10 | 3400089 | 5 | WASHER-FLAT 1/4 ZP |
| 11 | 3400103 | 5 | WASHER-LOCK 1/4 SPLIT ZP |
| 12 | 690125 | 1 | RADIATOR-OIL COOLER COMBO |
| 13 | 690169 | 1 | MOUNT, COOLANT OVERFLOW - 9X LP/GAS |
| 14 | 690150 | 1 | ASSY, FAN SHROUD, DSL/LP/GAS |

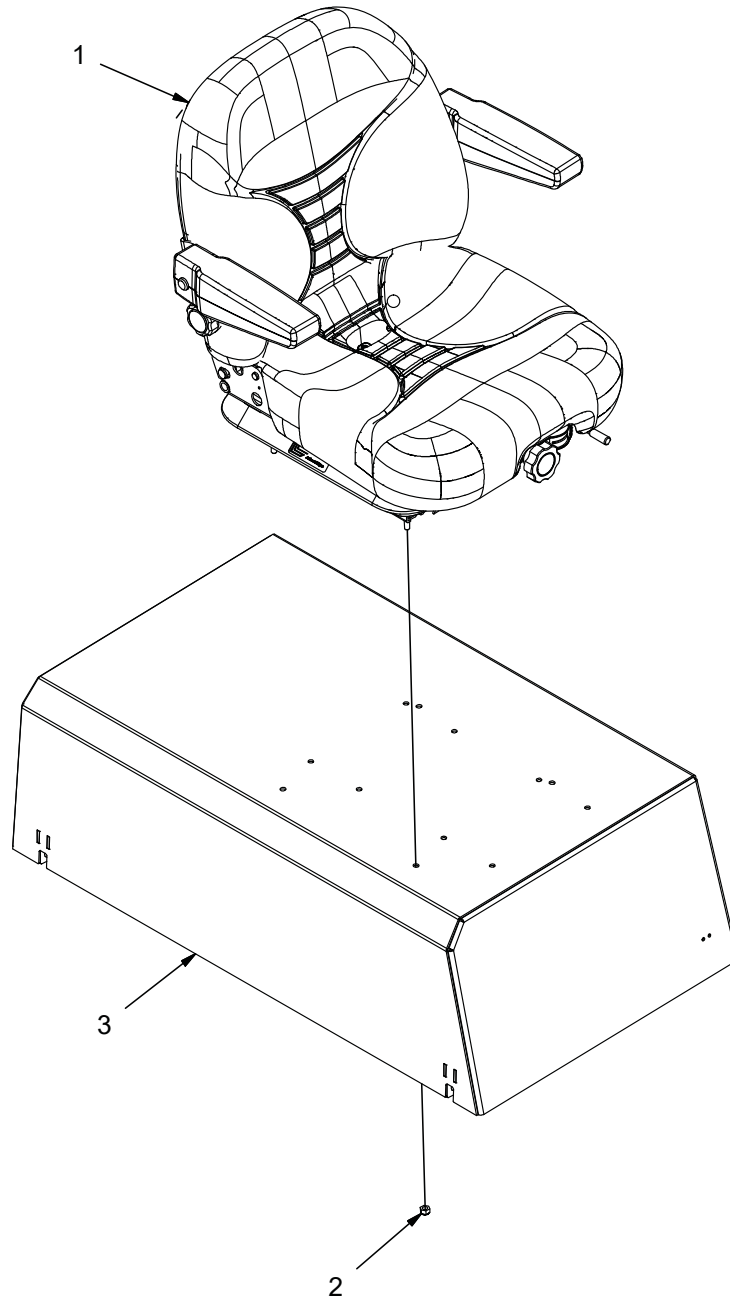
ENGINE KUBOTA WG1605 GAS & LPG - EXHAUST DETAIL



| ENGINE KUBOTA WG1605 GAS & LPG - EXHAUST DETAIL | | | |
|---|----------|-------|--|
| ITEM | PART NO. | REQ'D | DESCRIPTION |
| 1 | 600919 | 4 | SCR-HH M8-1.25 X 40 ZP CLASS 8.8 |
| 2 | 600934 | 4 | NUT-FLANGE WIZZ M8-1.25 ZP |
| 3 | 600947 | 2 | WASHER-WAVE .313 ID x .69 OD x .031 THIC |
| 4 | 600950 | 2 | WASHER-FLAT M12 ZP |
| 5 | 600959 | 4 | WASHER-LOCK M8 ZINC SPLIT |
| 6 | 690189 | 1 | PIPE, EXHAUST, PRE-CAT - 9XLP/GAS |
| 7 | 690190 | 1 | GASKET, CATALYST, 4 BOLT - 9X LP/GAS |
| 8 | 690191 | 1 | CATALYTIC CONVERTER, 9X LP-GAS |
| 9 | 690192 | 1 | PIPE, EXHAUST, POST CAT - 9X LP/GAS |
| 10 | 690193 | 1 | HEAT SHIELD, CAT. CONVERTER - 9XLP/GAS |
| 11 | 717013 | 4 | NUT-HEX M8 X 1.25 ZINC |
| 12 | 730667 | 2 | SCR-HH M12-1.75 X 45 ZP CLASS 8.8 |
| 13 | 748476 | 2 | SENSOR, OXYGEN - 9X LP/GAS |
| 14 | 3345028 | 1 | GASKET-CAT 1605 INLET |
| 15 | 3345082 | 1 | GASKET, FLANGE, EX MANIFOLD, KUBOTA 1605 |
| 16 | 3400103 | 6 | WASHER-LOCK 1/4 SPLIT ZP |
| 17 | 11038072 | 6 | SCR-HH M6-1.0 X 16 ZP CLASS 8.8 |
| 18 | 11038247 | 4 | SCR-HH M8-1.25 X 25 ZP CLASS 8.8 |
| 19 | 12310033 | 6 | WASHER-FLAT M6.4 X 12 X 1.6 ZP |
| 20 | 12310041 | 8 | WASHER-FLAT M8.4 X 16 X 1.6 ZP |

OPTIONS AND STANDARD CE FEATURES

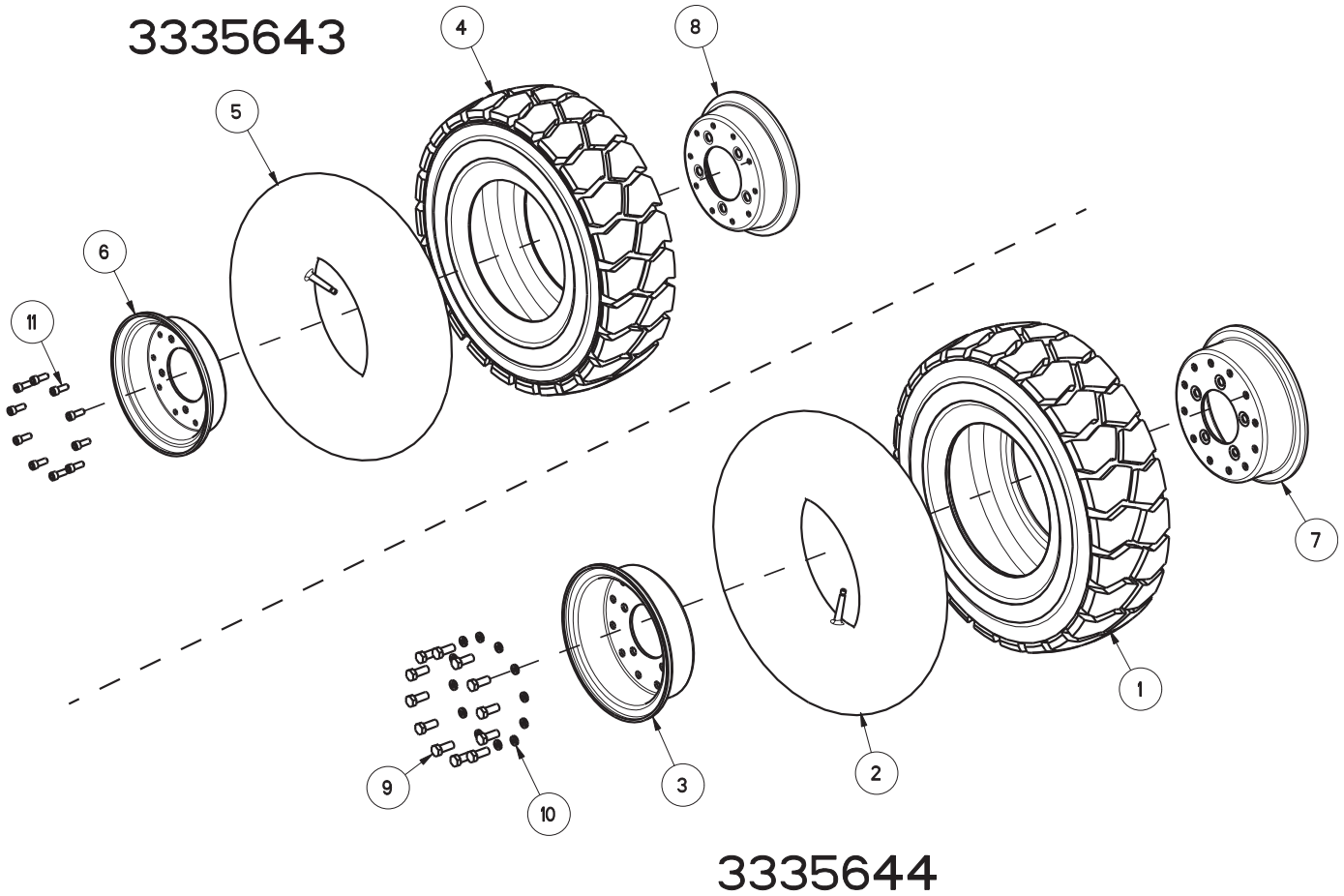
OPT - MICHIGAN SUSPENSION SEAT (600005)



OPT - MICHIGAN SUSPENSION SEAT (600005)

| ITEM | PART NO. | REQ'D | DESCRIPTION |
|------|----------|-------|--------------------------|
| 1 | 3342103 | 1 | SEAT,MICHIGAN SUSPENSION |
| 2 | 711374 | 4 | NUT-NYLOC 5/16-18 ZP |
| 3 | *** | | PUMP COVER |

OPT - TIRES PNEUMATIC WITH WELDED NUTS (660075)

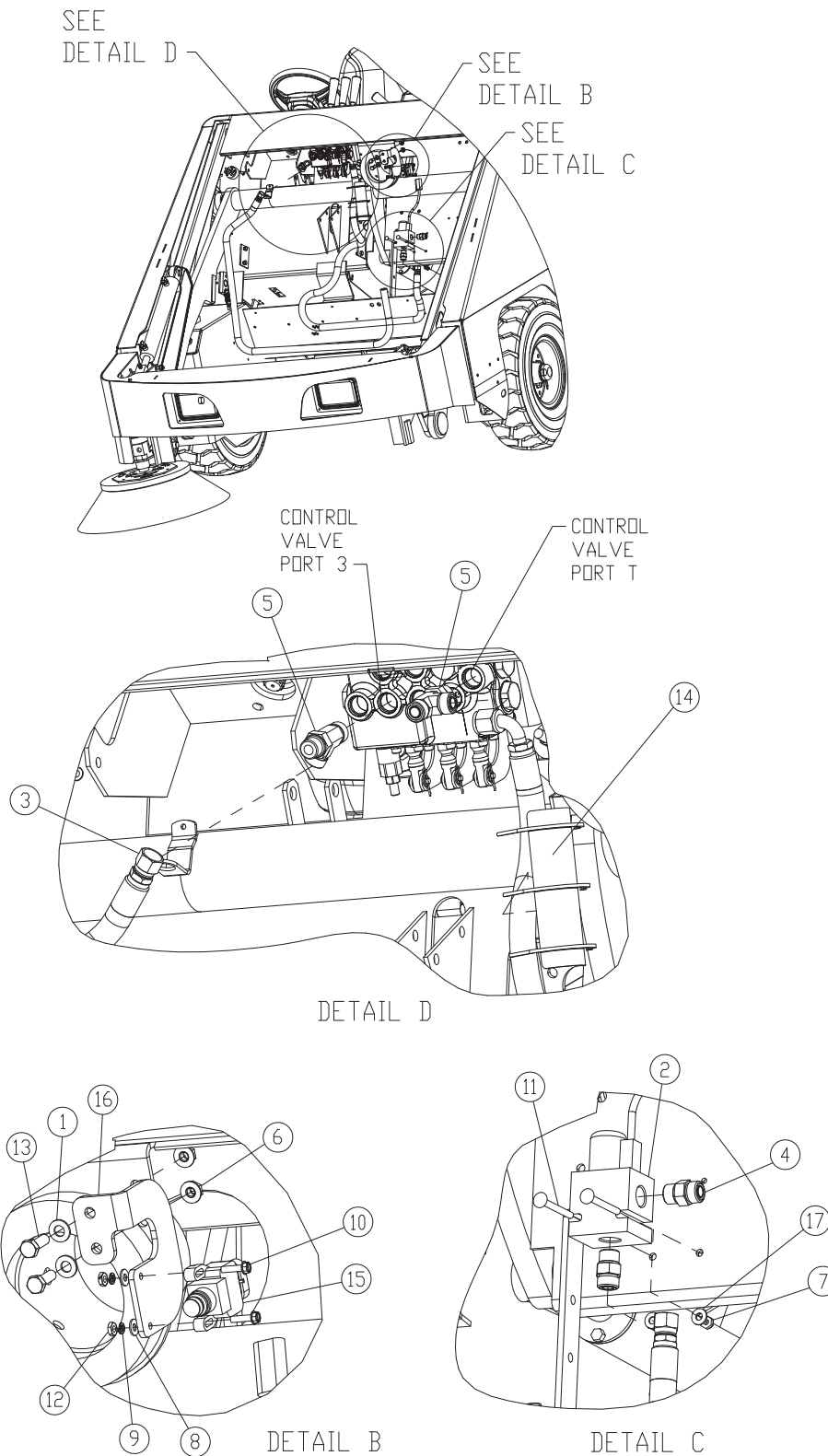


OPT - TIRES PNEUMATIC WITH WELDED NUTS (660075)

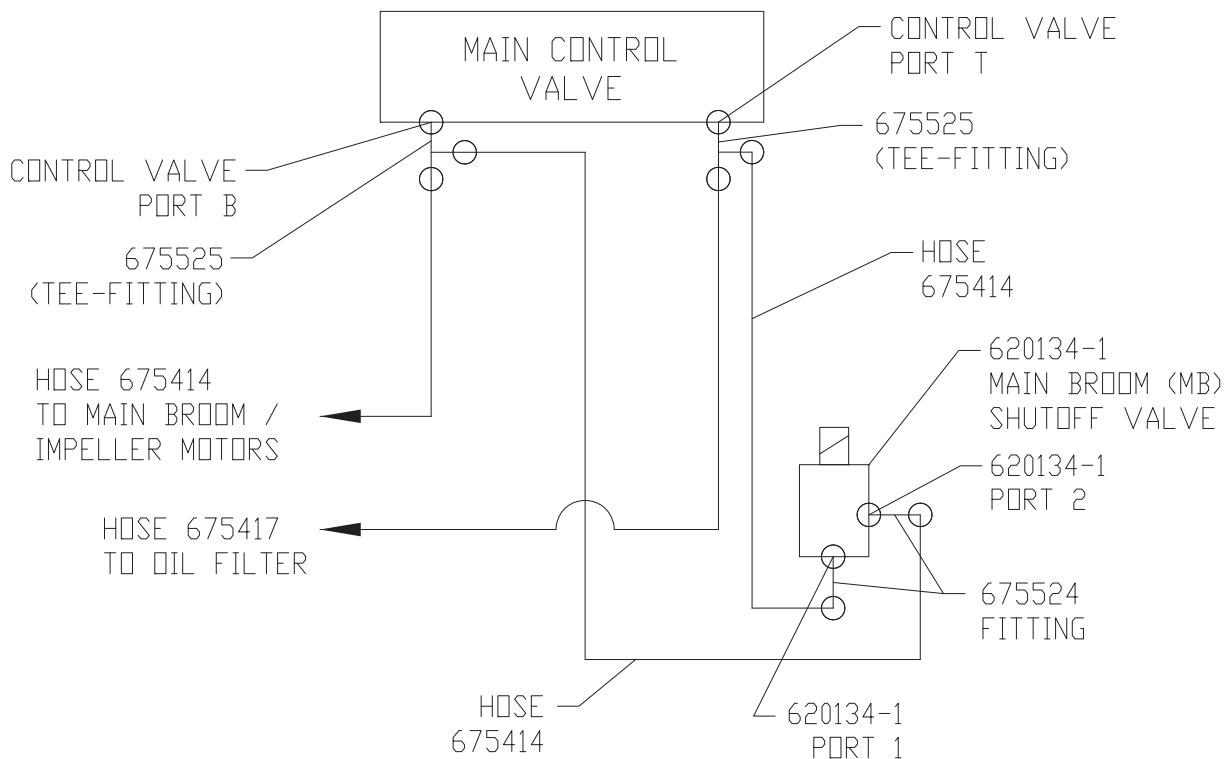
| ITEM | PART NO. | REQ'D | DESCRIPTION |
|------|----------|-------|---------------------------------|
| 1 | 3307252 | 1 | TIRE-PNEUMATIC 650x10(W/TUBE) |
| 2 | 3307253 | 1 | TUBE-TIRE INNER, 650x10 |
| 3 | 3307254 | 1 | RIM-FRONT INNER SW/A PNTD |
| 4 | 3307256 | 1 | TIRE-PNEUMATIC 6.00 X 9 |
| 5 | 3307257 | 1 | TUBE-TIRE 600 X 9 |
| 6 | 3307258 | 1 | RIM-REAR INNER SW/A |
| 7 | 3335719 | 1 | RIM-FRONT OUTER, 12 WELDED NUTS |
| 8 | 3335720 | 1 | RIM-DRIVE OUTER, 10 WELDED NUTS |
| 9 | 3400022 | 12 | SCR-HEX, 1/2-13X1.25 GR 5 ZP |
| 10 | 3400098 | 12 | WASHER-LOCK 1/2 SPLIT ZP |
| 11 | 3401607 | 10 | SCR-SOC, 3/8-16 X 1.0, ZP |

**OPT - RAISE HOPPER, MAIN BROOM SHUT OFF (690100)
CE MODELS STANDARD FEATURE**

(CONTINUED NEXT PAGE)

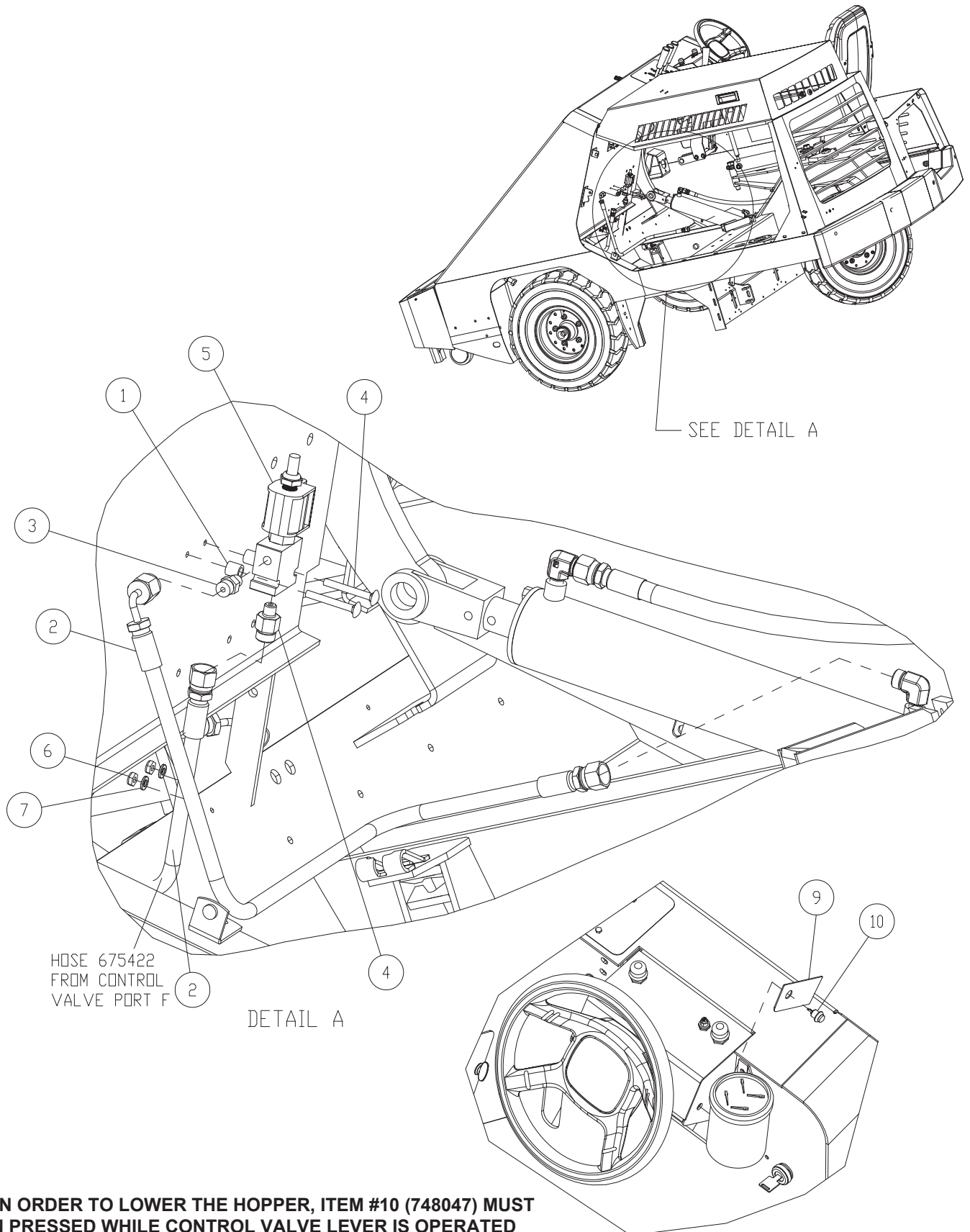


| OPT - RAISE HOPPER, MAIN BROOM SHUT OFF (690100) | | | |
|--|----------|-------|--|
| ITEM | PART NO. | REQ'D | DESCRIPTION |
| 1 | 600941 | 2 | WASHER .344 ID x .688 OD x.065 THICK STE |
| 2 | 620134-1 | 1 | ASSY VALVE, SOLENOID N/C |
| 3 | 675414 | 2 | HYD HOSE - CONT VALVE TO IMP MOTOR |
| 4 | 675524 | 2 | FTG-STR THD CONNECTOR -8 ORFS TO -8 SA |
| 5 | 675525 | 2 | FTG-STR THD RUN TEE -8 ORFS TO -8 SAE |
| 6 | 711379 | 2 | NUT-FLANGED WIZZ 5/16-18 |
| 7 | 711387 | 2 | NUT-NYLOC 1/4-20 1/2NUT |
| 8 | 711503 | 2 | WSR-FLT #10 (SPECIAL FLAT WASHER) |
| 9 | 711543 | 2 | WSR-HELICAL #10 |
| 10 | 712550 | 2 | SCR-IHWH SLOT 10-32X.75 18-8 SS |
| 11 | 712573 | 2 | BLT-CARR 1/4-20 X 2.50 SS |
| 12 | 712636 | 2 | NUT-HEX 10-32 SS |
| 13 | 713027 | 2 | BLT-HH 5/16-18 X 1 #5 ZP |
| 14 | 730690 | 1 | 4" HOSE PROTECTOR (10 PK) |
| 15 | 3335945 | 1 | SWITCH-COBO W/ AMP CONNECTOR |
| 16 | 3337340 | 1 | PLT - HOPPER POSITION SWITCH MOUNT |
| 17 | 3400089 | 2 | WASHER-FLAT 1/4 STANDARD ZP |



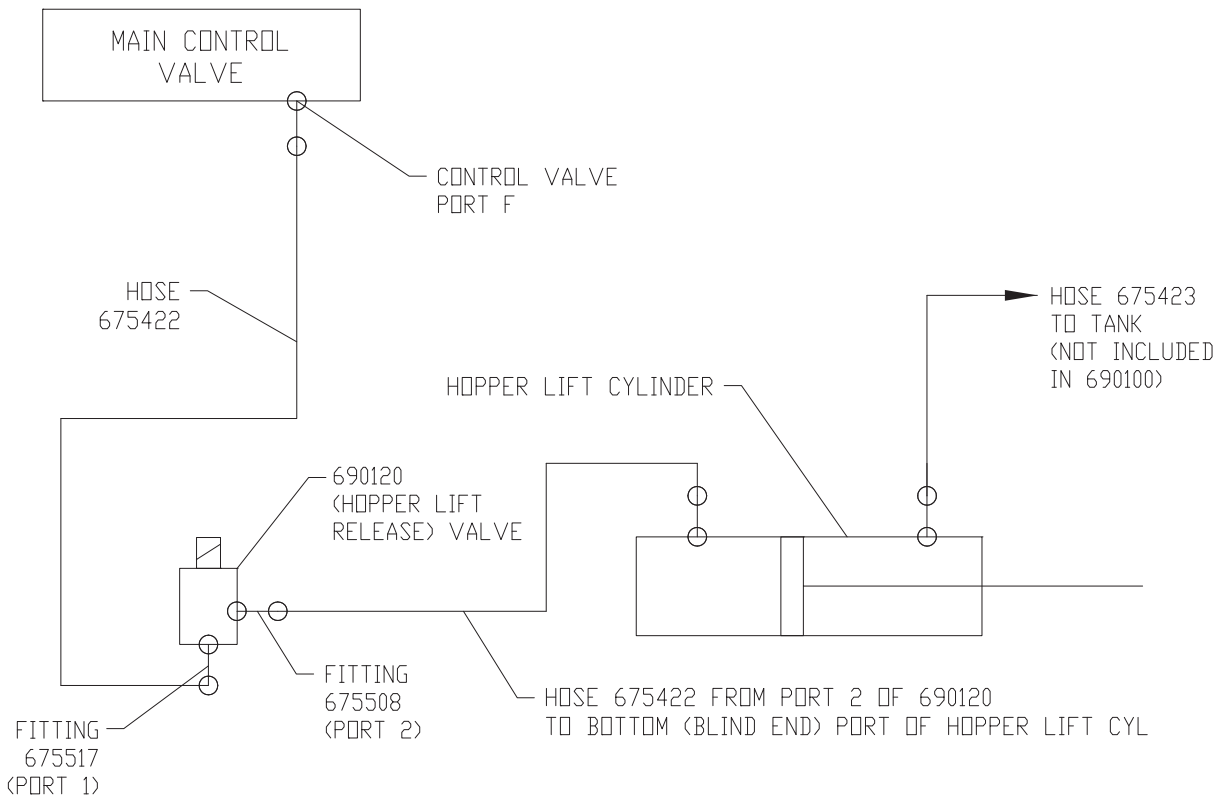
MAIN BROOM SHUTOFF
HYDRAULIC CIRCUIT (ISOLATED)

OPT - RAISE HOPPER, MAIN BROOM SHUT OFF (690100) - CONTINUED



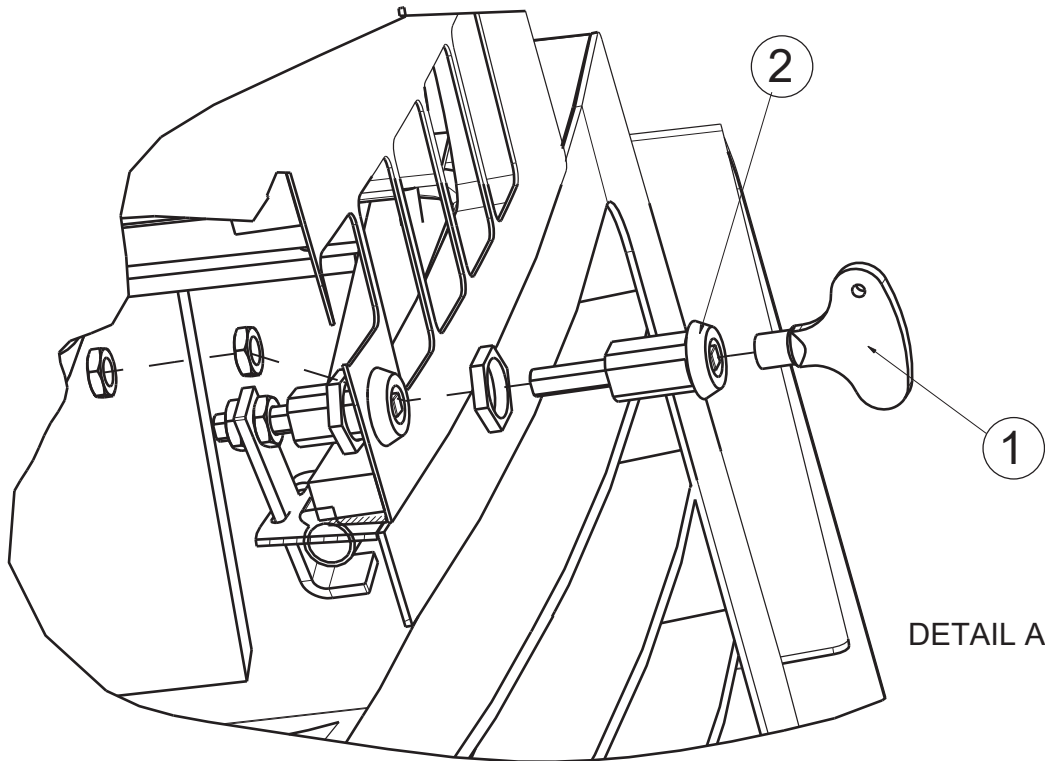
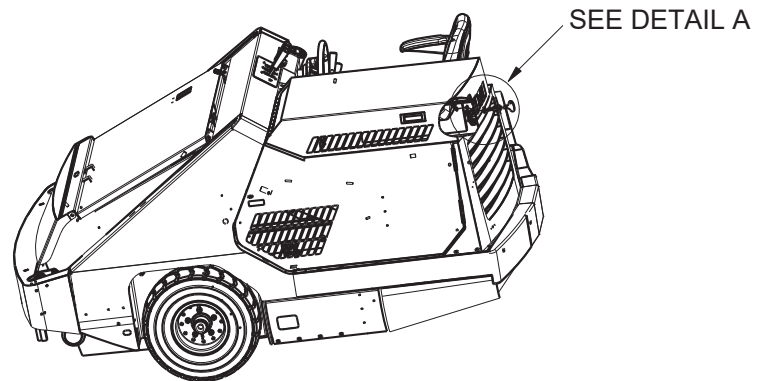
NOTE: IN ORDER TO LOWER THE HOPPER, ITEM #10 (748047) MUST REMAIN PRESSED WHILE CONTROL VALVE LEVER IS OPERATED

| OPT - RAISE HOPPER, MAIN BROOM SHUT OFF (690100) | | | |
|--|----------|-------|--|
| ITEM | PART NO. | REQ'D | DESCRIPTION |
| 1 | 600114 | 2 | SPACER, .328 B .498 OD .500 ,SS |
| 2 | 675422 | 2 | HYD HOSE - LIFT CYL TO CONT VALVE E |
| 3 | 675508 | 1 | FTG-STR THD CONNECTOR -4 ORFS TO -4 SA |
| 4 | 675517 | 1 | FTG-STR THD CONNECTOR -6 ORFS TO -4 SA |
| 5 | 690120 | 1 | ASSY, HOPPER RETURN VALVE, 9X CE |
| 6 | 711387 | 2 | NUT-NYLOC 1/4-20 1/2NUT |
| 7 | 711566 | 2 | WSR-FLT .259 X .50 X .065 |
| 8 | 712572 | 2 | BLT-CARR 1/4-20 X 2.00 SS |
| 9 | 690151 | 1 | DECAL, HOPPER UNLOCK - 9X CE |
| 10 | 748047 | 1 | SECONDHAND OPERATION PUSH BUTTON |



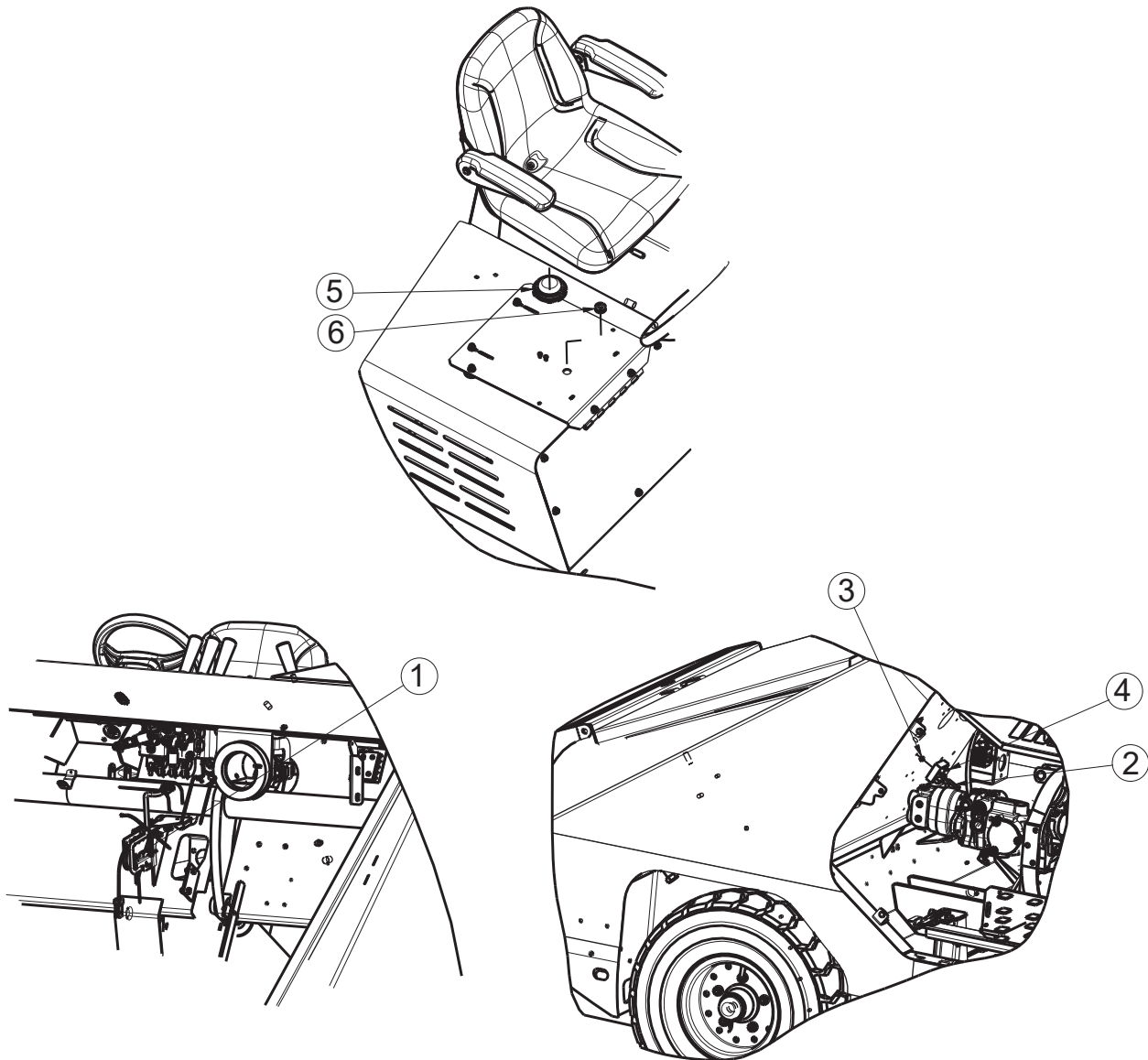
HOPPER LIFT CYL RELEASE
HYDRAULIC CIRCUIT (ISOLATED)

OPT - CE KEY LATCH 9X (690102)
CE MODELS STANDARD FEATURE



| OPT - CE KEY LATCH 9X (690102) | | | |
|---------------------------------------|-----------------|--------------|--------------------------------|
| ITEM | PART NO. | REQ'D | DESCRIPTION |
| 1 | 3343016 | 1 | KEY-LATCH 7MM SQUIRE |
| 2 | 3343017 | 1 | LATCH-VISE ACTION LARGE, KEYED |

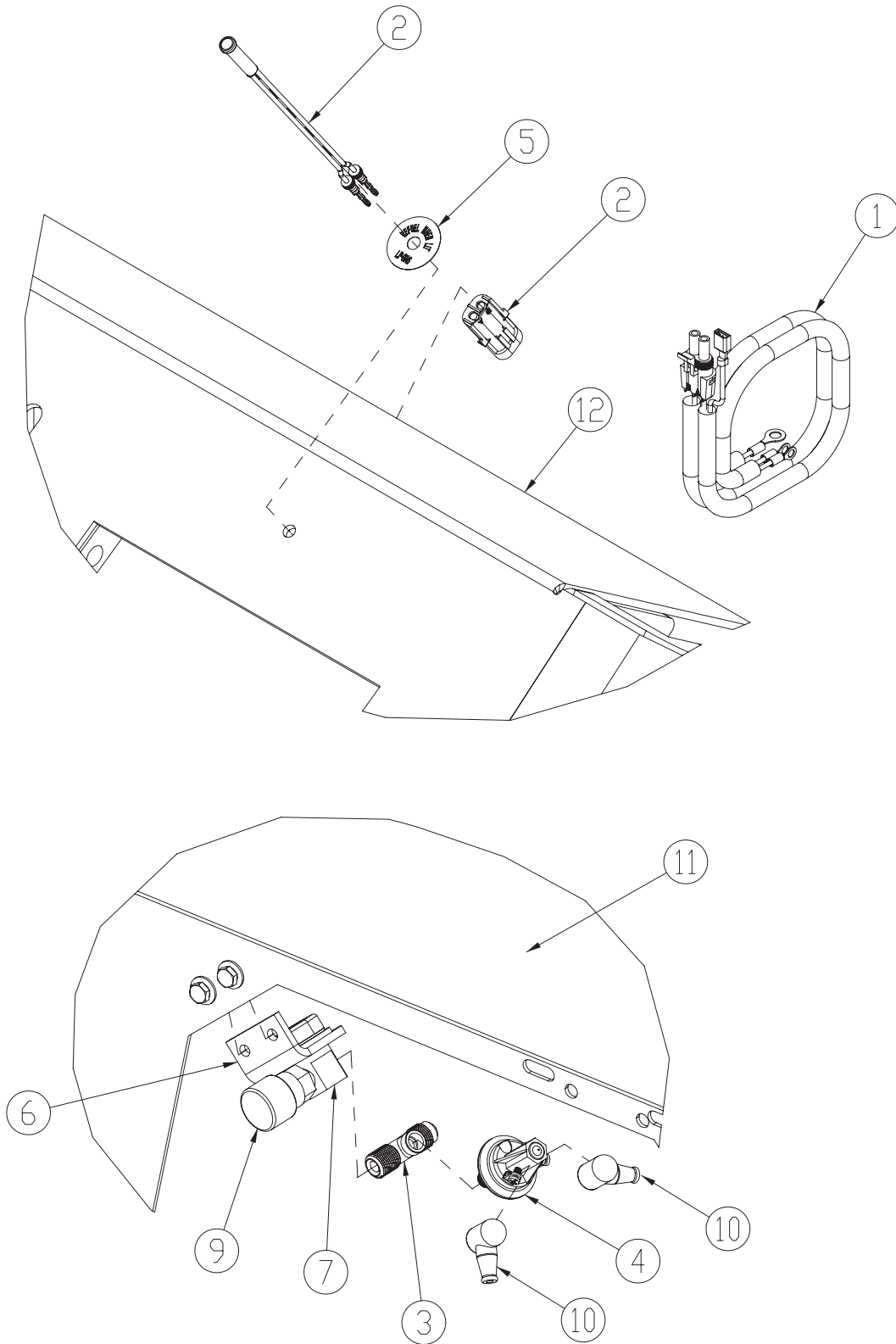
**OPT - SEAT SWITCH ENGINE SHUT OFF (690147)
CE MODELS STANDARD FEATURE**



OPT - SEAT SWITCH ENGINE SHUT OFF (690147)

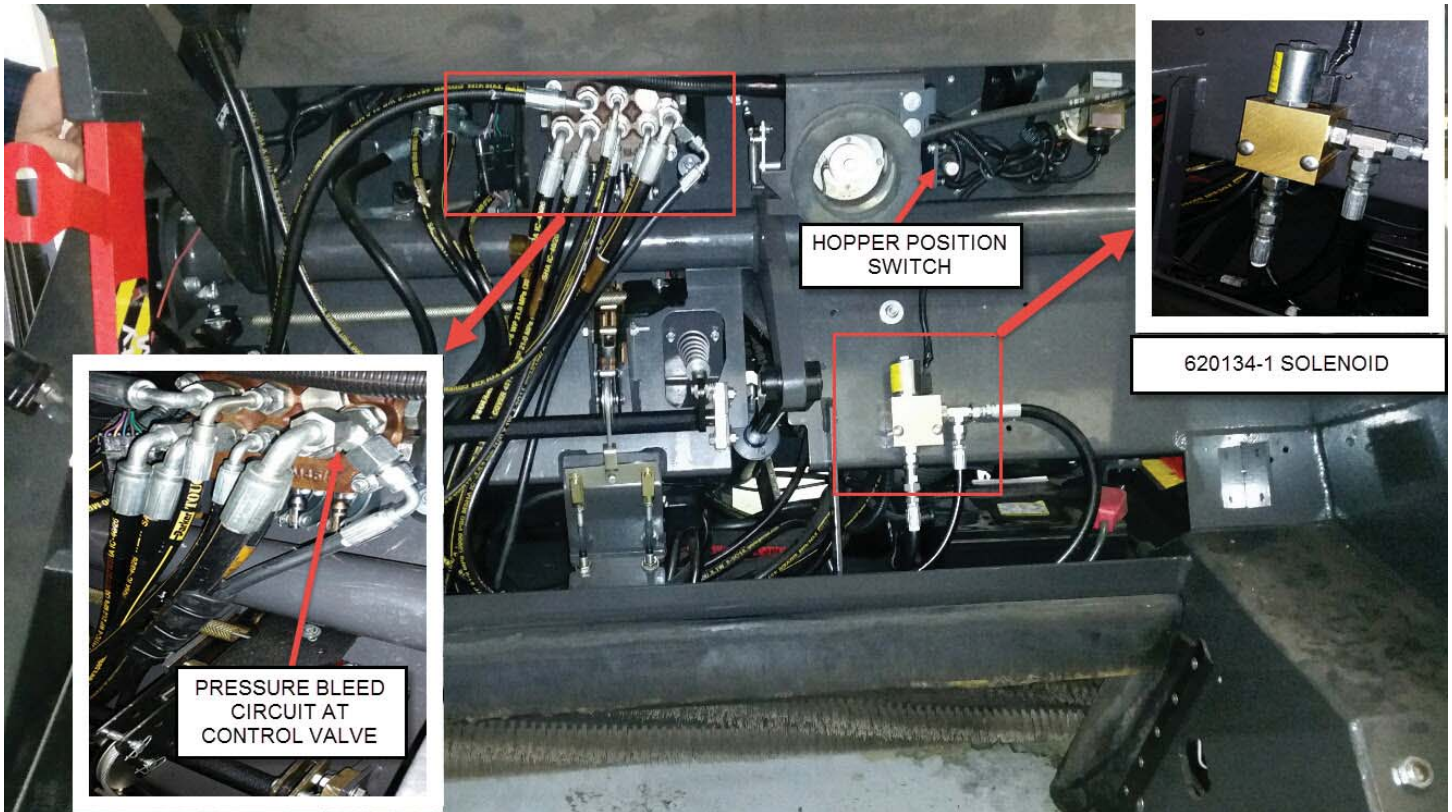
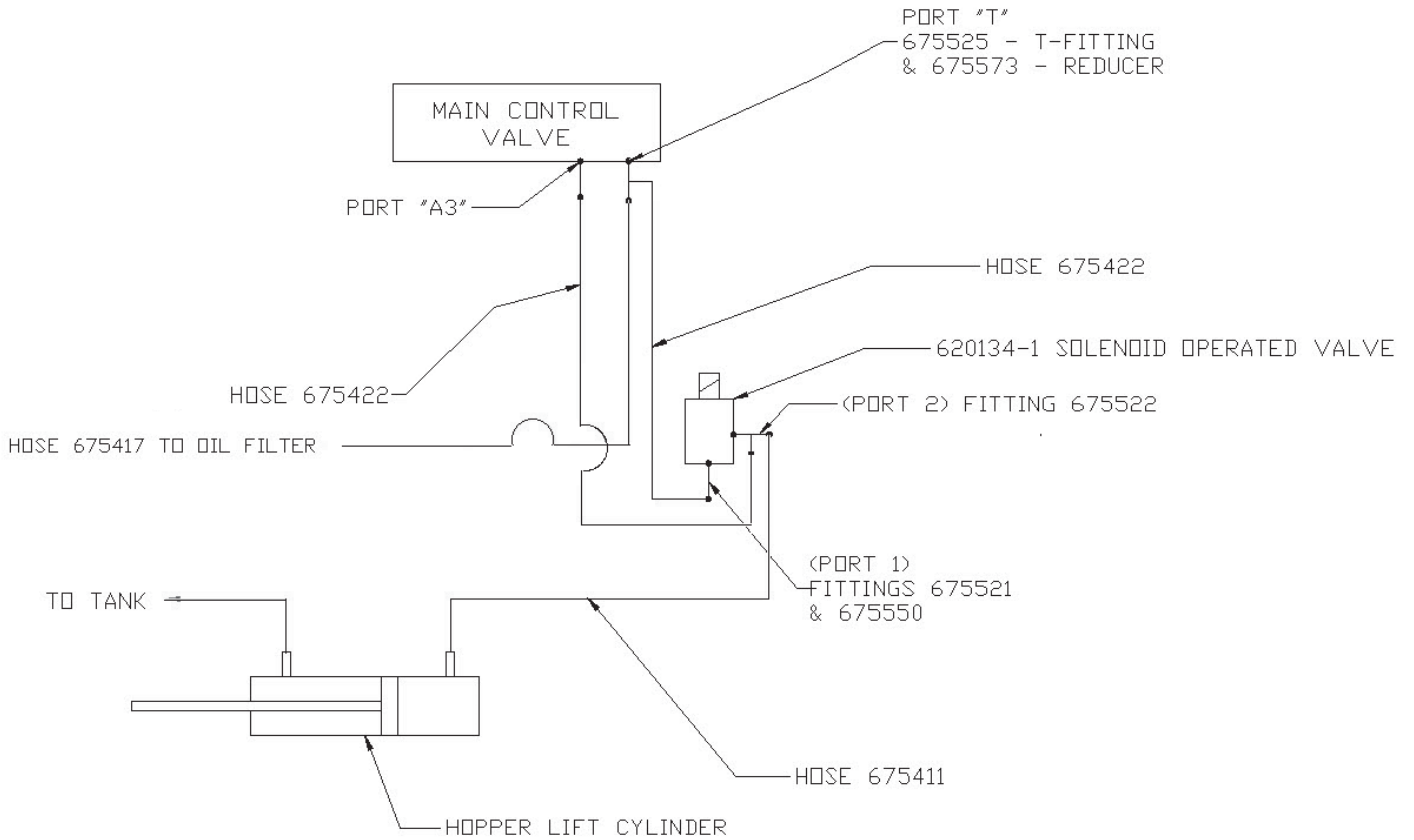
| ITEM | PART NO. | REQ'D | DESCRIPTION |
|------|----------|-------|---|
| 1 | 690322 | 1 | GROUP, SEAT SWITCH BYPASS - 9X |
| 2 | 711210 | 1 | BLT-HH 1/4-20 X 1.25 STL ZINC FULL THRD |
| 3 | 711373 | 1 | NUT-NYLOC 1/4-20 |
| 4 | 741036 | 1 | TIMER-RELAY-TRUE OFF 12V 3 SEC |
| 5 | 748445 | 1 | DELTA SW - N/O TWIST LOCK |
| 6 | 3311564 | 1 | GROMMET-RUBBER, 1/2 ID |

OPT - LOW LP INDICATOR (690148)



| OPT - LOW LP INDICATOR (690148) | | | |
|--|-----------------|--------------|------------------------------------|
| ITEM | PART NO. | REQ'D | DESCRIPTION |
| 1 | 748453 | 1 | HARNESS, LOW LP INDICATOR |
| 2 | 748960 | 1 | LIGHT ASSY, INDICATOR LAMP, LOW LP |
| 3 | 3305535-2 | 1 | TEE, LOW LP INDICATOR |
| 4 | 3305535-3 | 1 | SENSOR, LOW LP INDICATOR |
| 5 | 3305535-4 | 1 | LABEL, LOW LP INDICATOR |
| 6 | REF | - | MOUNT - LPG SAFTEY VALVE |
| 7 | REF | - | BULKHEAD - 62 LP |
| 9 | REF | - | VALVE - LP RELIEF |
| 10 | 90524174 | 2 | COVER, SAFETY CAP WIRE TERMINAL |
| 11 | REF | - | WELDMENT - CLIP SEAT |
| 12 | REF | - | WELDMENT - FRAME 9X |

OPT - HOPPER PRESSURE BYPASS (690231)



| OPT - HOPPER PRESSURE BYPASS (690231) | | |
|---------------------------------------|-------|--|
| PART NO. | REQ'D | DESCRIPTION |
| 3335945 | 1 | SWITCH-COBO W/ AMP CONNECTOR |
| 3337340 | 1 | PLT - HOPPER POSITION SWITCH MOUNT |
| 3400035 | 2 | SCR-HH 5/16-18 X 1.00 ZP GR 5 |
| 3400384 | 2 | WASHER-CONICAL SPRING 5/16 |
| 620134-1 | 1 | ASSY VALVE, SOLENOID N/C |
| 675411 | 1 | HYD HOSE - PS UNIT TO ROT ACT P2 |
| 675422 | 1 | HYD HOSE - LIFT CYL TO CONT VALVE E |
| 675521 | 1 | FTG-STR THD CONNECTOR -6 ORFS TO -8 SA |
| 675522 | 1 | FTG-STR THD RUN TEE -6 ORFS TO -8 ORFS T |
| 675525 | 1 | FTG-STR THD RUN TEE -8 ORFS TO -8 SAE |
| 675550 | 1 | FITTING ORIFICE .047 #6 |
| 675573 | 1 | FITTING |
| 711310 | 2 | NUT-HEX 10-32 ZP |
| 711379 | 2 | NUT-FLANGED WIZZ 5/16-18 ZP |
| 711387 | 2 | NUT-JAM 1/4-20 ZP NYLOC |
| 711503 | 2 | WASHER-FLAT #10 X .50 ZP |
| 711505 | 2 | WASHER-FLAT 1/4 ZP |
| 711543 | 2 | WASHER-LOCK #10 SPLIT ZP |
| 712550 | 2 | SCR-HH 10-32 X.75 SS SLOTTED WSH HEAD |
| 712573 | 2 | BLT-CARR 1/4-20 X 2.50 SS |
| 749017 | 1 | HARNESS ASSY, HOPPER SWITCH |

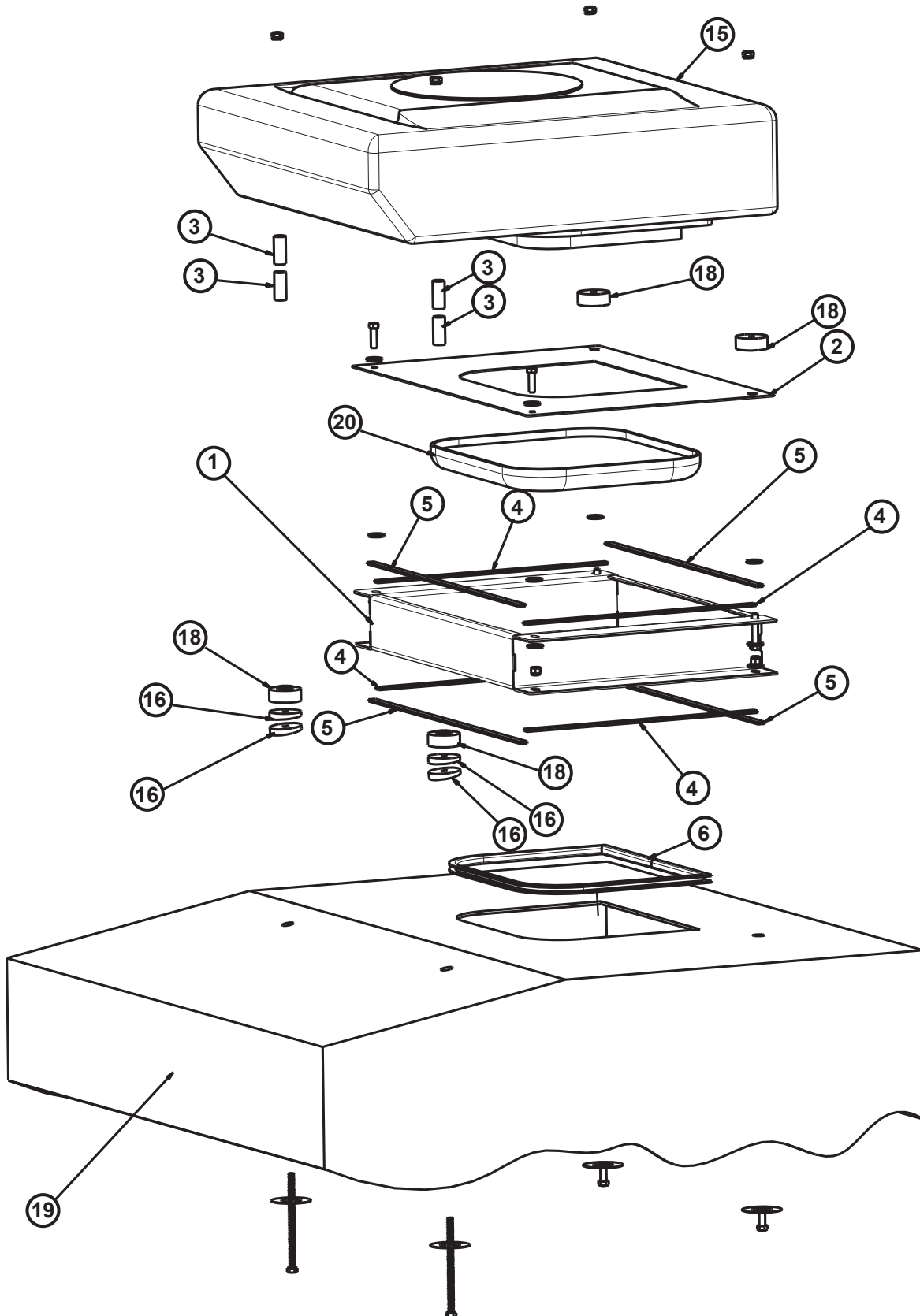
**OPT - SEAT BELT FOR STANDARD SEAT
WITH LOCK (690230)**

| OPT - SEAT BELT FOR STANDARD SEAT WITH LOCK (690230) | | | |
|---|-----------------|--------------|-------------------------------------|
| ITEM | PART NO. | REQ'D | DESCRIPTION |
| 1 | 690192 | 1 | ASSY, SEAT LOCK, SEAT BELT OPT - 9X |
| 2 | 620222 | 1 | SEAT BELT, ORANGE RETRACTABLE |
| 3 | 620206 | 1 | BRACKET, SEAT BELT |

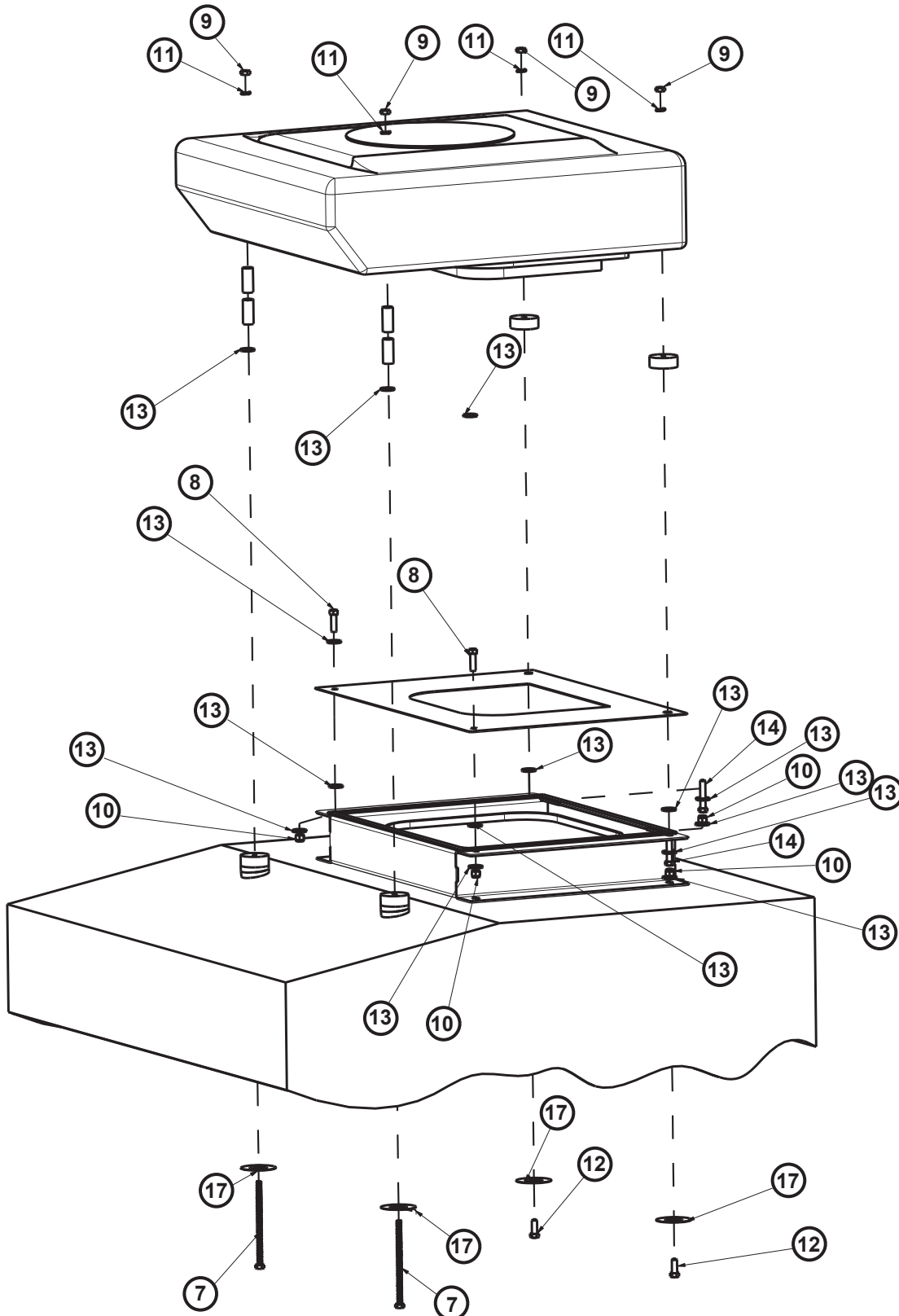
**OPT - SEAT BELT FOR SUSPENSION SEAT
WITH LOCK (690233)**

| OPT - SEAT BELT FOR SUSPENSION SEAT WITH LOCK (690233) | | | |
|---|-----------------|--------------|-------------------------------|
| ITEM | PART NO. | REQ'D | DESCRIPTION |
| 1 | 690206 | 1 | ASSY, SEAT LOCK, SEAT BELT |
| 2 | 620192 | 1 | SEAT BELT, ORANGE RETRACTABLE |

OPT - AIR CONDITIONING UNIT RISER (690317)

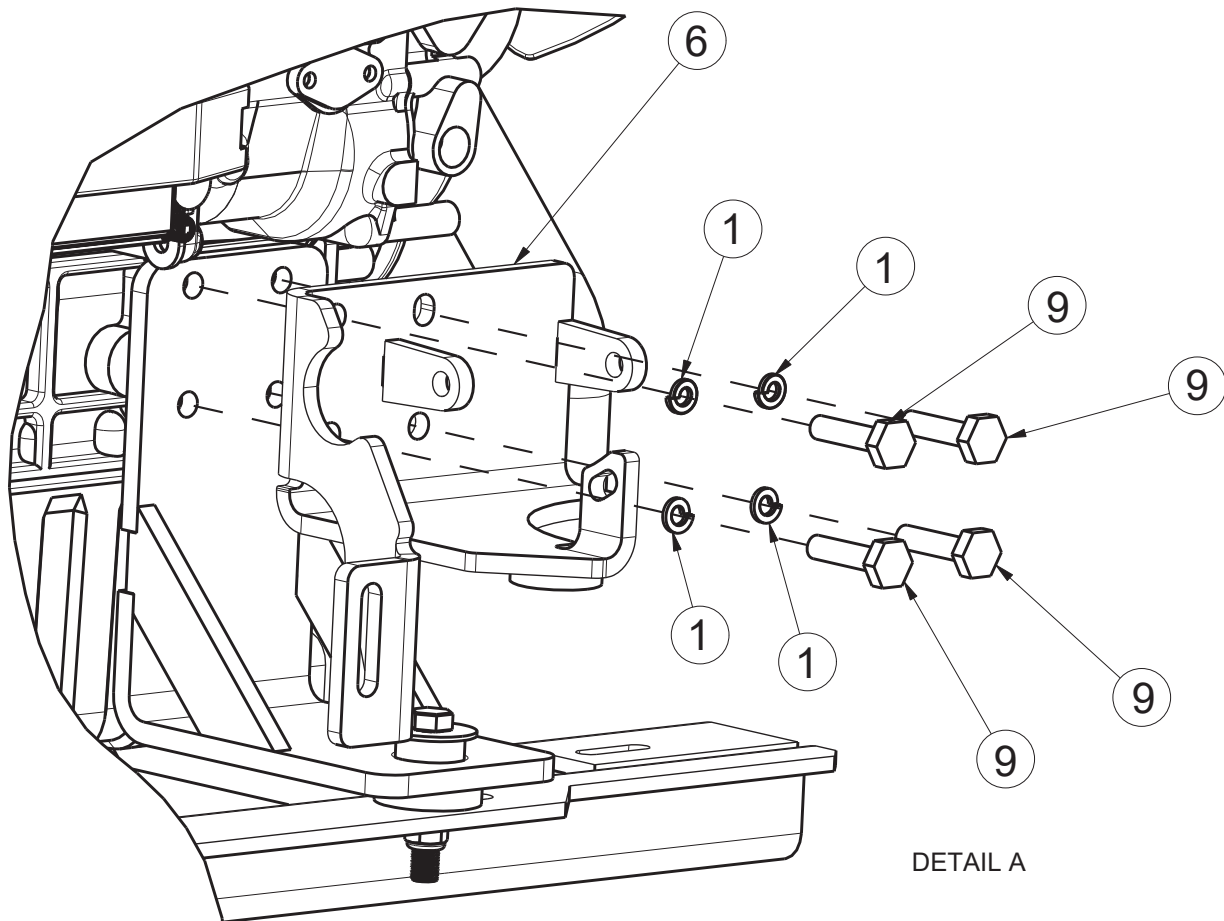
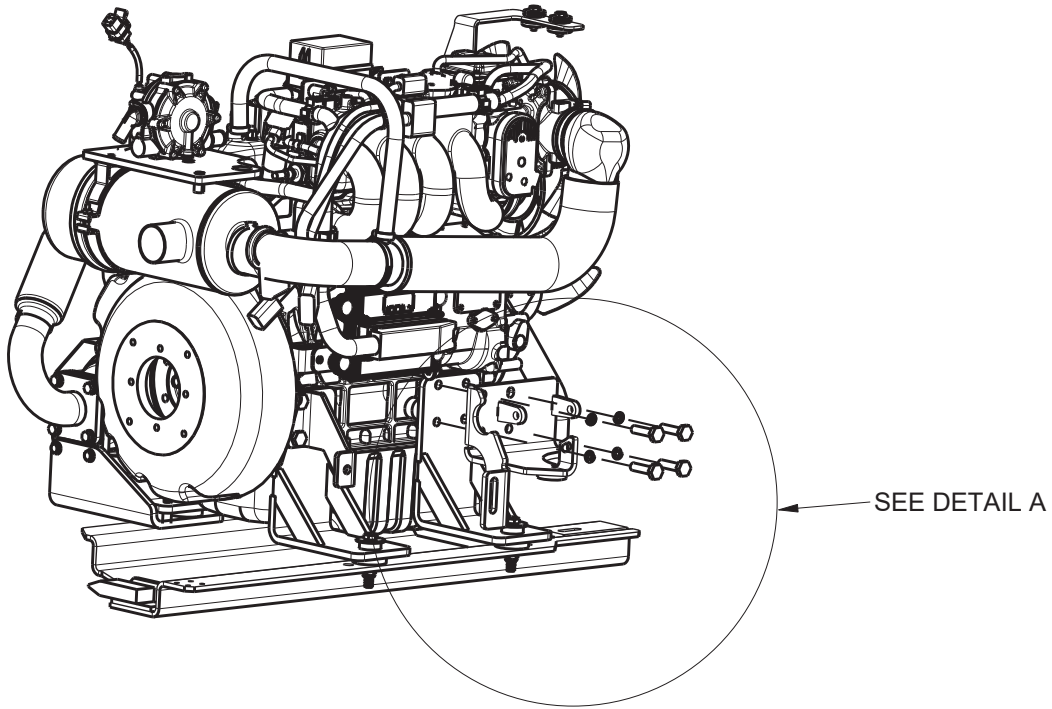


OPT - AIR CONDITIONING UNIT RISER (690317) (CONTINUED)

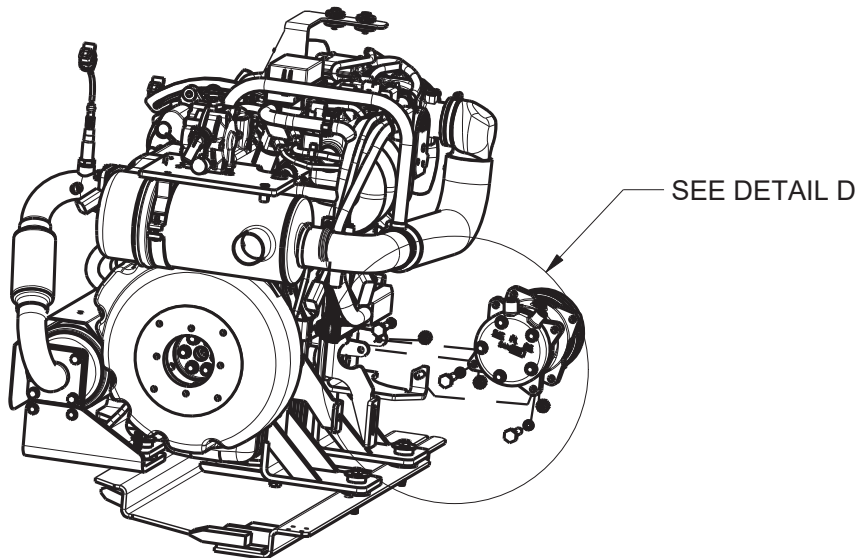
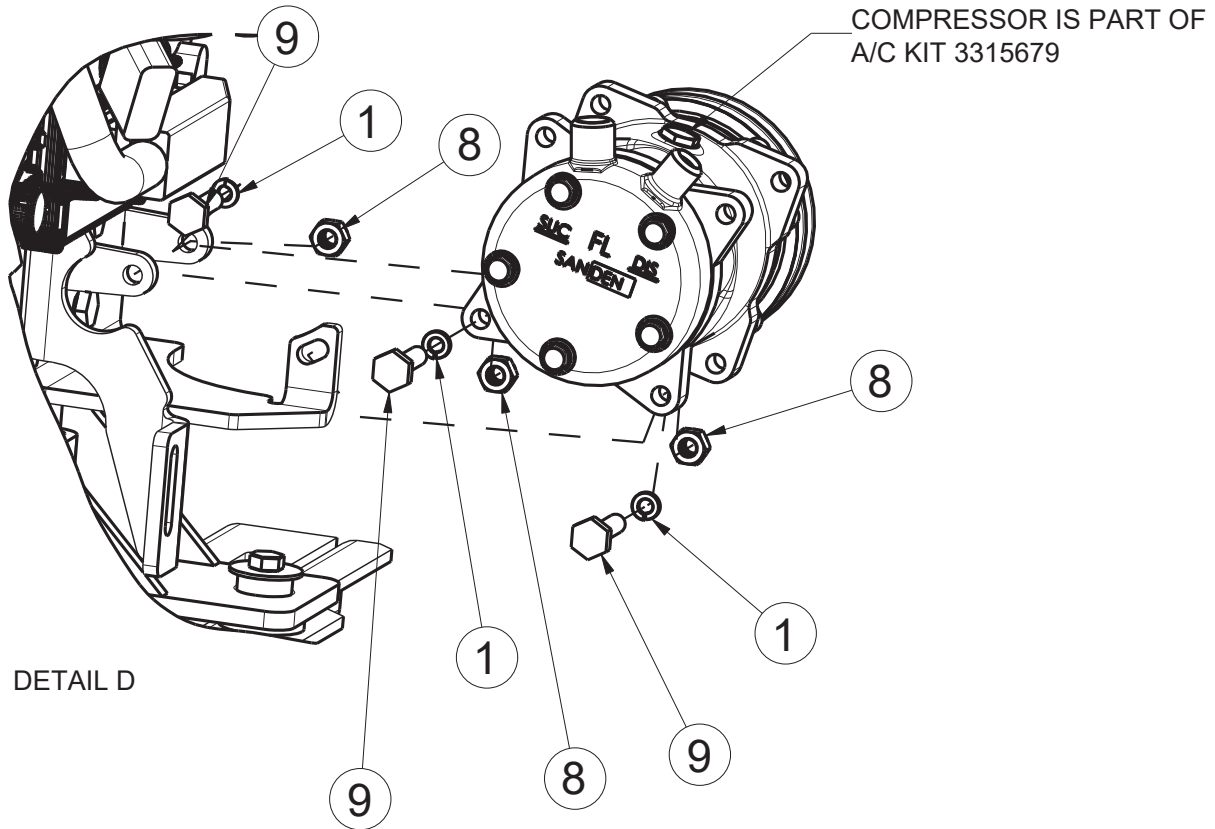


| OPT - AIR CONDITIONING UNIT RISER (690317) | | | |
|--|----------------|-------|--|
| ITEM | PART NO. | REQ'D | DESCRIPTION |
| 1 | 690267 | 1 | RISER. AC UNIT |
| 2 | 690311 | 1 | PLT, TOP, RISER, AC INT |
| 3 | 690312 | 4 | SPACER, LDPE, 3/8 B X 3/4 OD X 1.75 LG |
| 4 | 690314 | 4 | SEAL RISER, AC UNIT, 18" |
| 5 | 690315 | 4 | SEAL, RISER, AC UNIT, 22" |
| 6 | 690316 | 1 | EDGING, CAB CUT OUT, AC UNT, 4T |
| 7 | 710595 | 2 | SCR-HH 3/8-16 X 6.00 ZP GR 5 FULL THREAD |
| 8 | 711250 | 2 | SCR-HEX 3/8-16X125 ZP |
| 9 | 711328 | 4 | NUT-HEX 3/8-16 ST PL |
| 10 | 711380 | 4 | NIIT-NYLOC 3/8-16 NUT |
| 11 | 711546 | 4 | WSR-HELICAL 3/8 |
| 12 | 3400030 | 2 | SCREW-HHM 3/8-16 X 1.0 LG ZP |
| 13 | 3400336 | 14 | WASHER 3/8 ID 1.0 OD X .105 THK SS |
| 14 | 3401454 | 2 | BOLT-HEX, TAP 3/8-16 X 2 ZP |
| 15 | AIR-COND-UNIT | 1 | ROOFTOP AIR COND UNIT (REF) |
| 16 | ANGLE-ISOLATOR | 4 | AC UNT ISOLATOR, ANGLED (REF) |
| 17 | CUP-WASHER | 4 | CIP WASHER (REF) |
| 18 | ISOLATOR | 4 | AC UNIT ISOLATOR IREFI |
| 19 | ROOFPANEL | 1 | CUTAWAY, CAB ROOF (REF) |
| 20 | VENTS | 1 | AC VENTS (REF) |

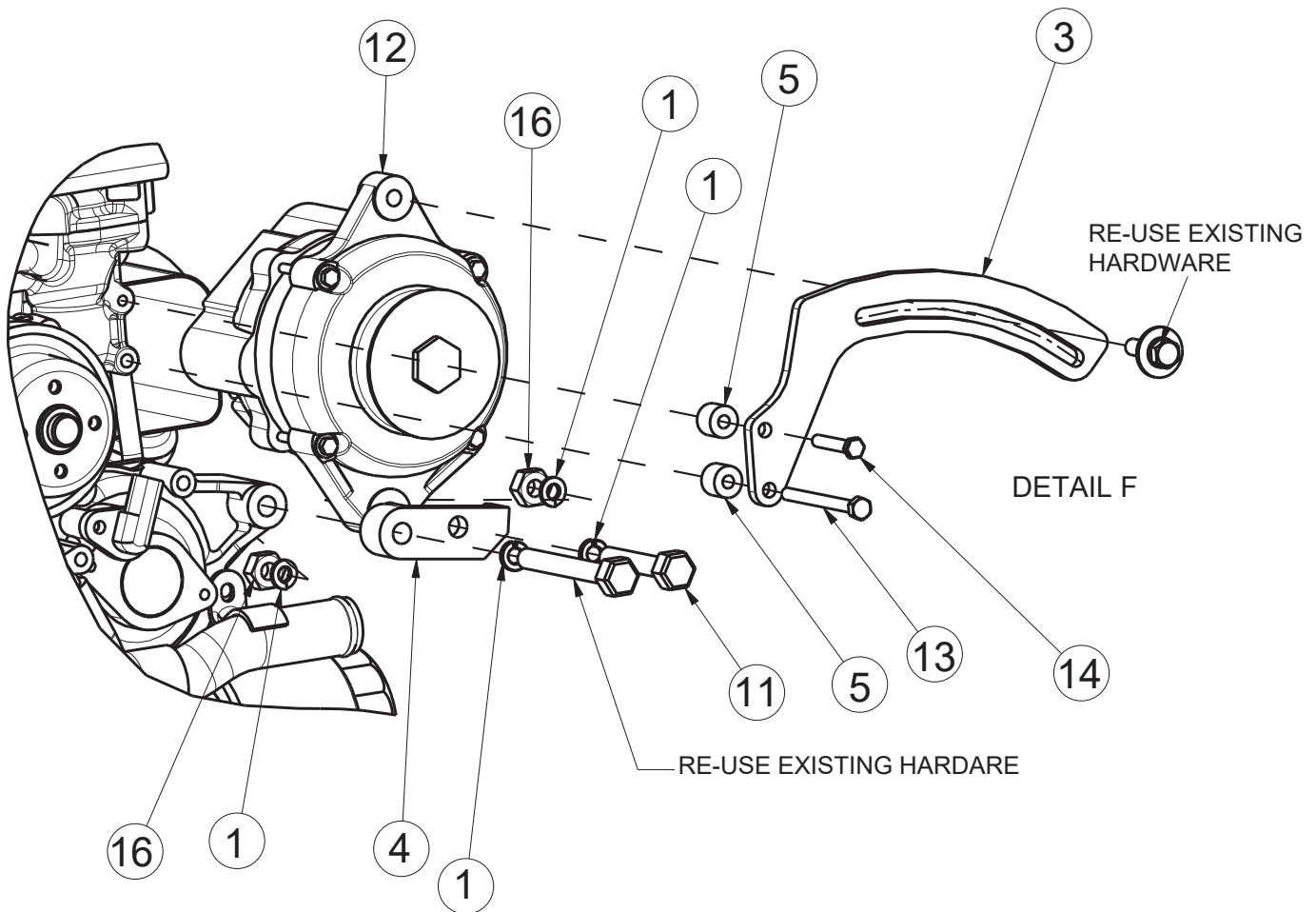
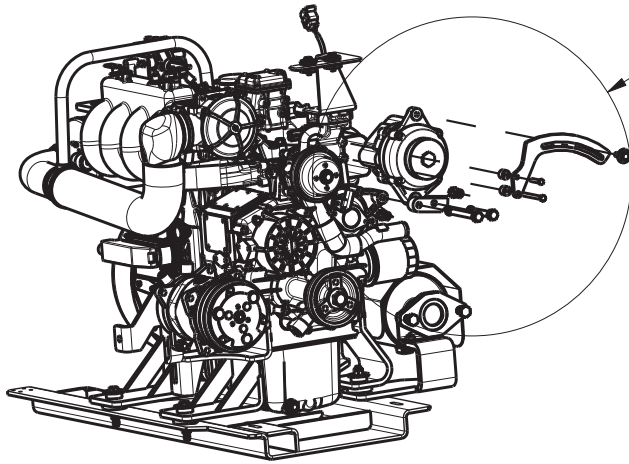
OPT - AIR CONDITIONING, LP/GAS (690378)



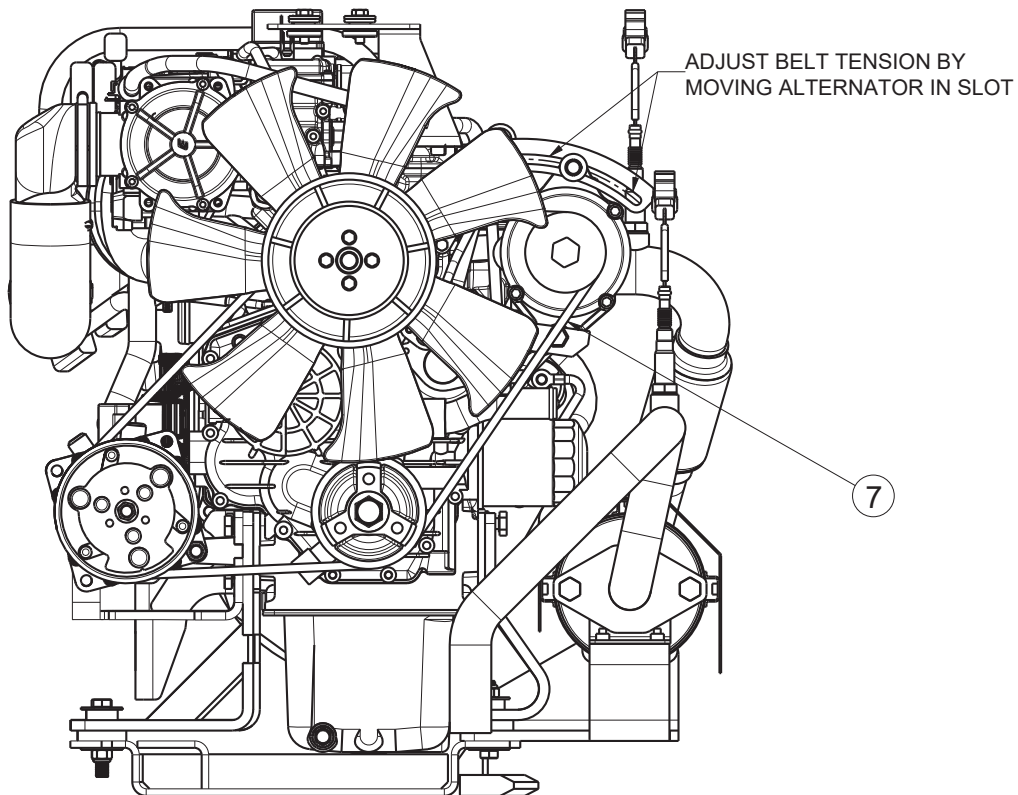
OPT - AIR CONDITIONING, LP/GAS (690378) (CONTINUED)



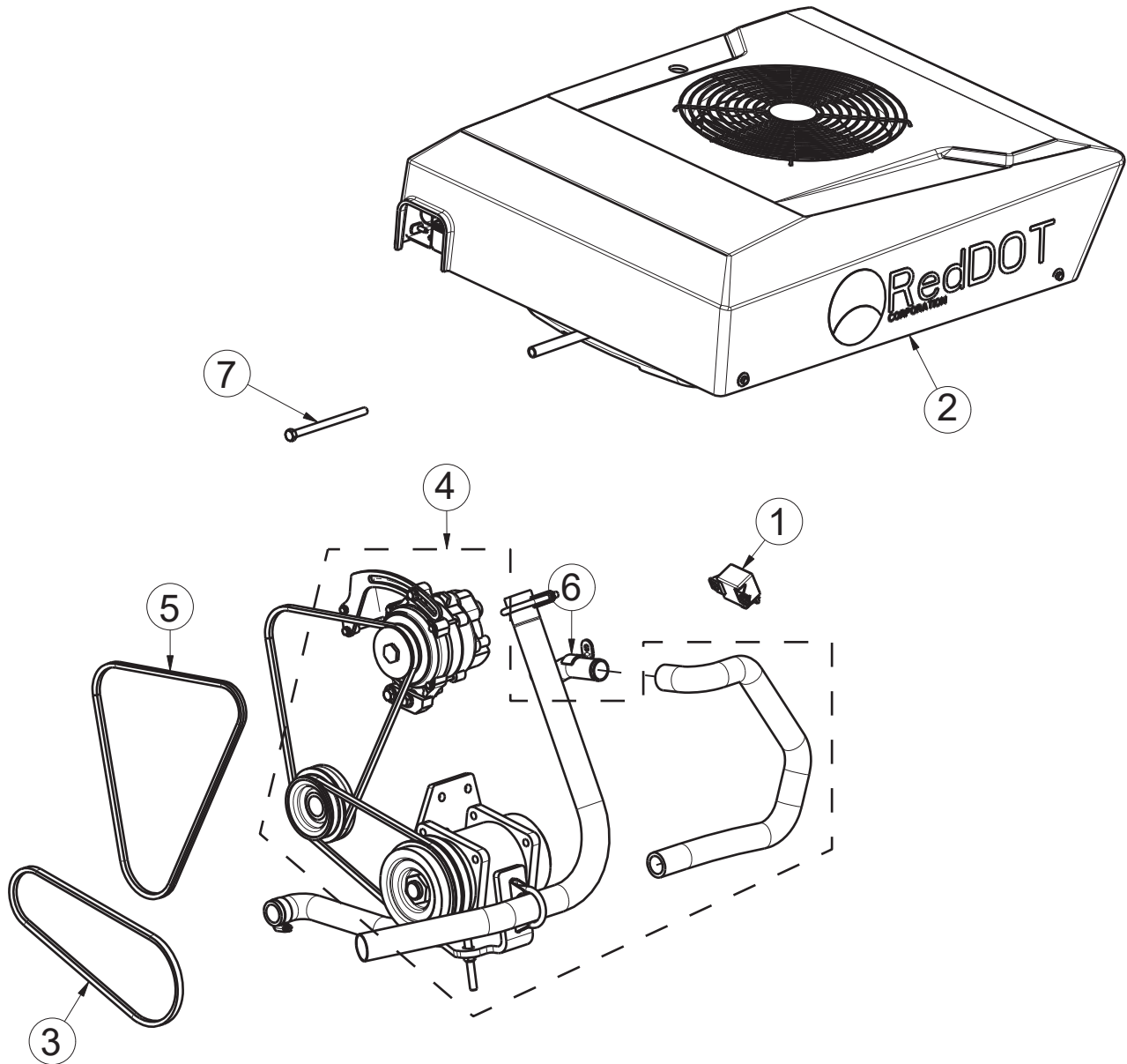
OPT - AIR CONDITIONING, LP/GAS (690378) (CONTINUED)



| OPT - AIR CONDITIONING, LP/GAS (690378) | | | |
|---|----------|-------|---|
| ITEM | PART NO. | REQ'D | DESCRIPTION |
| 1 | 600945 | 11 | LOCK WASHER M10 |
| 2 | 600959 | 1 | LOCK WASHER , SPLIT, M8 , ZINC |
| 3 | 690355 | 1 | BRKT , ALTERNATOR ADJ |
| 4 | 690360 | 1 | BRKT , ALTERNATOR ADAPT |
| 5 | 690361 | 2 | SPACER , .252 ID, .5 OD , .5T, STL |
| 6 | 690376 | 1 | MOUNT , AC COMP PIVOT - 9X LP /GAS |
| 7 | 690377 | 1 | BELT , DRIVE - 9X LPG /GAS WITH AIR COND |
| 8 | 711417 | 3 | NUT - NYLOC M10 x 1.25 ZP |
| 9 | 713052 | 7 | M10 - 1.25 X 40MM HHCS |
| 10 | 713602 | 1 | SCR - HH M10 - 1.5 X 85 ZP CLASS 10.9 |
| 11 | 730481 | 1 | SCR - HH M10 - 1.50 X 60 ZP CLASS 8.8 |
| 12 | 3331482 | 1 | 60 AMP ALTERNATOR |
| 13 | 3401509 | 1 | SCR - HHM M6 X 1.0 X 70MM LG , ZP |
| 14 | 11038130 | 1 | BL T - HH M6 X 1.0 X 35 STL ZD 8.8 DIN 933 |
| 15 | 11038254 | 1 | SCR - HH , M8 X 1.25 X 30mm, ZP |
| 16 | 12022067 | 2 | NUT - HEX M10 X 1.5 STL ZINC DICH CL8 DIN 934 |
| 17 | 12332029 | 1 | WSR - FLT METRIC 8.4 X24 X2 DIN 9021 |



OPT - AIR CONDITIONING, DSL (3316990)



OPT-AIR CONDITIONING, DSL (3316990)

| ITEM | PART NO. | REQ'D | DESCRIPTION |
|------|----------|-------|--------------------------------|
| 1 | 740972 | 1 | RELAY-12V 75A AUTOMOTIVE |
| 2 | 3315679 | 1 | AIR COND UNIT-A/C OPT SW9X KBA |
| 3 | 3321394 | 1 | BELT-V 25/64 X 32-5/8 10X H25 |
| 4 | 3330886 | 1 | KIT-A/C (EPS) SW/9X V1505 KBA |
| 5 | 3332864 | 1 | BLT-ALTERNATOR LONG-SP 3330886 |
| 6 | 3336946 | 1 | PIPE-WATER KUBOTA V1505 |
| 7 | 3402076 | 1 | SCR-HEX 3/8-16 X 5.50 ZP |

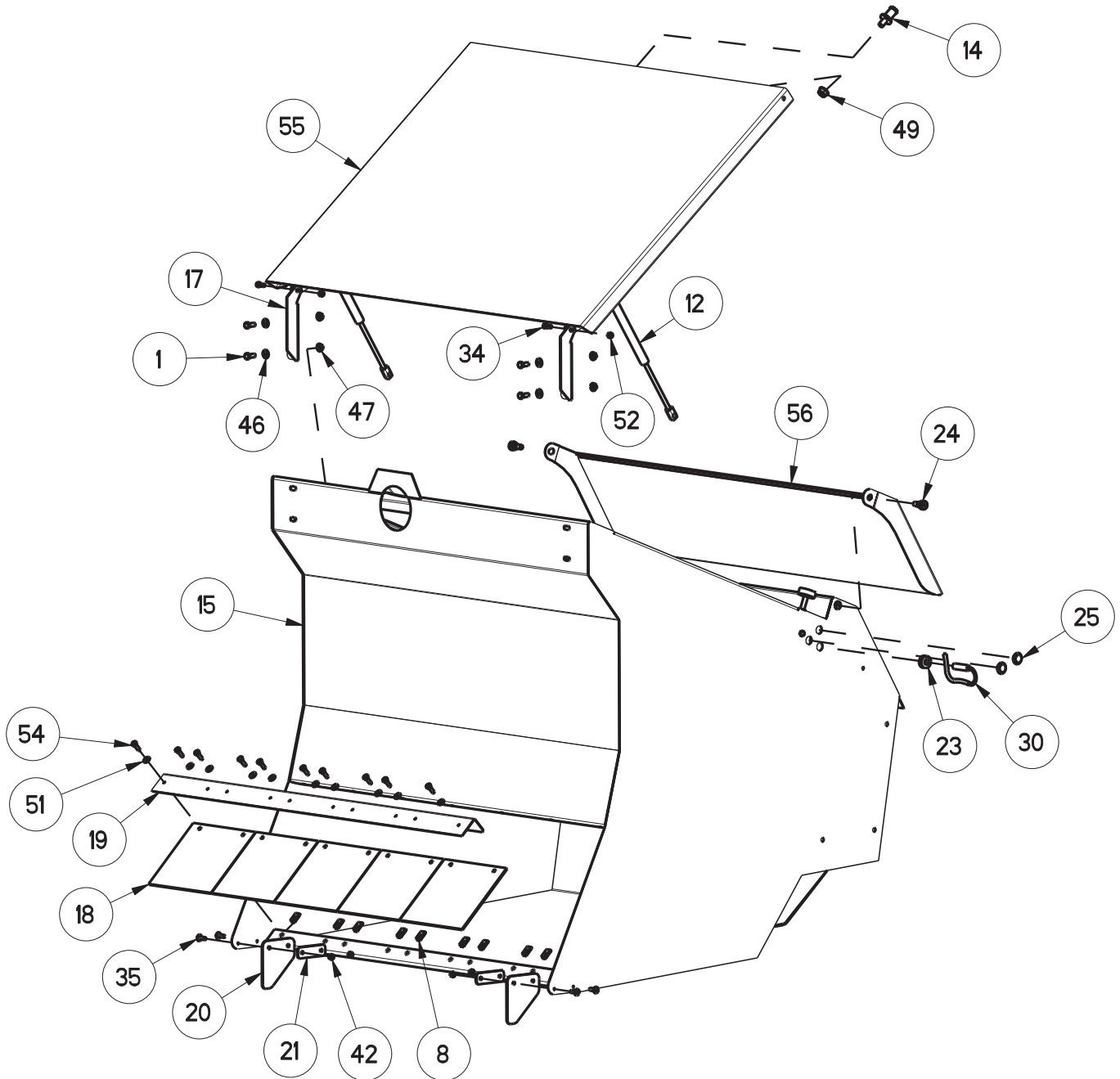
**OPT - AIR CONDITIONING, DSL
FOR CE MODELS (690380)**

| OPT - SEAT BELT FOR STANDARD SEAT WITH LOCK (690230) | | | |
|---|-----------------|--------------|--------------------------------------|
| ITEM | PART NO. | REQ'D | DESCRIPTION |
| 1 | 3316990 | 1 | OPT-A/C 1505 KBA - DSL |
| 2 | 690317 | 1 | OPT-AIR CONDITIONING UNIT RISER - 9X |

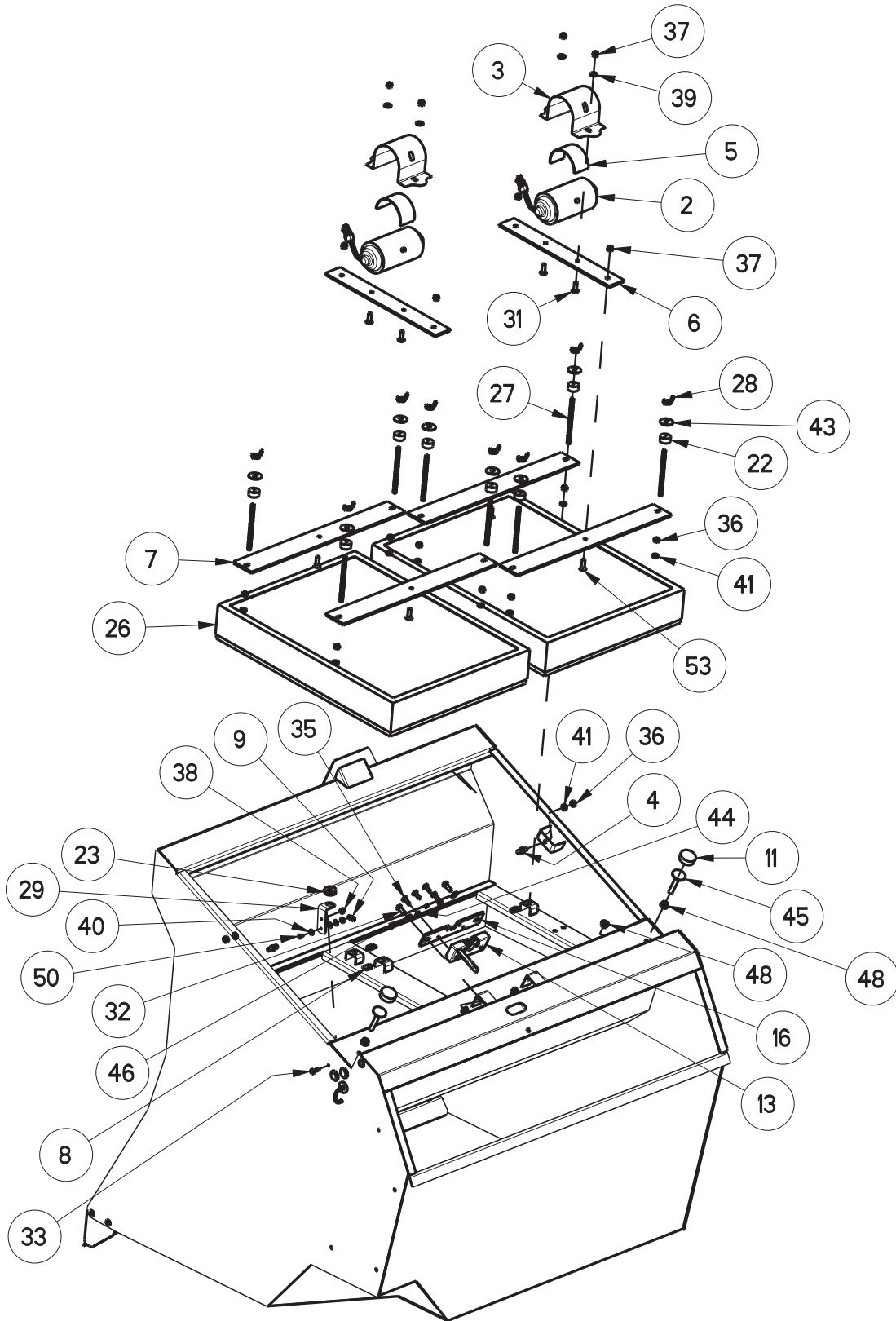
**OPT - AIR CONDITIONING, LP/GAS
FOR CE MODELS (690381)**

| OPT - SEAT BELT FOR SUSPENSION SEAT WITH LOCK (690233) | | | |
|---|-----------------|--------------|--------------------------------------|
| ITEM | PART NO. | REQ'D | DESCRIPTION |
| 1 | 690378 | 1 | OPT-AIR CONDITIONING, 9X LP/GAS |
| 2 | 690317 | 1 | OPT-AIR CONDITIONING UNIT RISER - 9X |

OPT - HOPPER, STAINLESS STEEL (3315078)



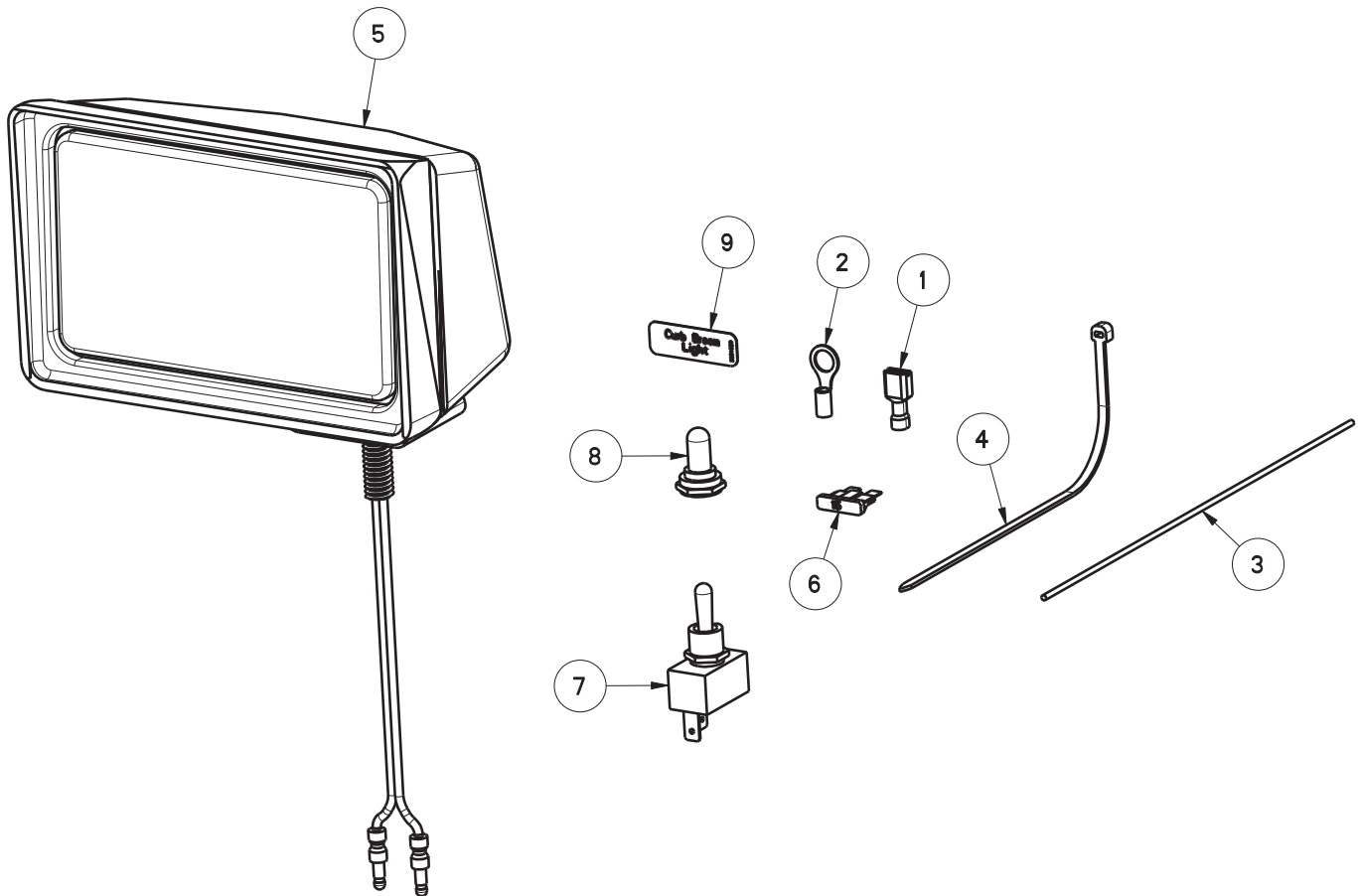
OPT - HOPPER, STAINLESS STEEL (3315078) (CONTINUED)



| OPT - HOPPER, STAINLESS STEEL (3315078) | | | |
|---|------------|-------|---|
| ITEM | PART NO. | REQ'D | DESCRIPTION |
| 1 | 711228 | 4 | SCR-HH 5/16-18 X .75 ZP GR 5 |
| 2 | 748149-1 | 2 | ASSY, SHAKER MOTOR W/CONNECTOR |
| 3 | 750073 | 2 | BRACKET SHAKER MOTOR |
| 4 | 3300376 | 4 | STUD-BALL GAS SPR 5/16-18 THRD .391DIA. |
| 5 | 3300904 | 2 | ISOLATOR-NEOPRENE, SHAKER MOTOR |
| 6 | 3300917 | 2 | MNT-FILTER SHAKER |
| 7 | 3300919 | 4 | BAR-FILTER RETAINER |
| 8 | 3301146 | 18 | CLIPNUT-1/4-20 ZP |
| 9 | 3302472 | 1 | MOUNT-WIRE TIE LOW PROFILE |
| 11 | 3304624 | 2 | CAP-RUBBER BUMPER, (LEVELER) |
| 12 | 3305006 | 2 | SPR -GAS 5" STROKE 14.5" EXTENDED 100 L |
| 13 | 3307247 | 1 | LATCH-LH BROOM DOOR SW/A |
| 14 | 3307248 | 1 | BOLT-STRIKER BROOM DOOR LATCH |
| 15 | 3307440-SS | 1 | HOPPER 9X STAINLESS STEEL |
| 16 | 3307468 | 1 | BAR-FILTER LATCH, ZP, SW/A |
| 17 | 3307469 | 2 | HINGE-FILTER COVER PNTD SW/A |
| 18 | 3307720 | 5 | FLAP-HOPPER FRONT SW/A |
| 19 | 3307721 | 1 | RETAINER-HOPPER FLAP SW/A |
| 20 | 3307842 | 2 | FLAP-HOPPER SIDE SW/A |
| 21 | 3307843 | 2 | RETAINER-FLAP HOPPER SIDE ZP |
| 22 | 3307850 | 8 | ISOLATOR-RUBBER, .25IDx1ODx.50THK, SW/A |
| 23 | 3311564 | 2 | GROMMET-RUBBER, 1/2 ID |
| 24 | 3400170 | 2 | BLT-SHOULDER 1/2 X .3125 LG ZP |
| 25 | 3330356 | 2 | PLUG-PLASTIC HOLE, 3/4, 7 GA |
| 26 | 3334070 | 2 | FILTER-POLYESTER HOP 9XDLX 10X-24x18x3. |
| 27 | 3334676 | 8 | ROD-5/16-18x4.88, FILTER TIE DOWN |
| 28 | 3334678 | 8 | NUT-WING 5/16-18 ZP NYLOC |
| 29 | 3336778 | 1 | BRACKET - UPPER SWITCH MOUNT |

| OPT - HOPPER, STAINLESS STEEL (3315078) (CONTINUED) | | | |
|---|-----------|-------|---------------------------------------|
| ITEM | PART NO. | REQ'D | DESCRIPTION |
| 30 | 3336964P | 1 | HARNESS - HOPPER, ARMA TIER II |
| 31 | 70-516-16 | 4 | BLT-CARR 5/16-18 X 1 ZP |
| 32 | 711228 | 2 | SCR-HH 5/16-18 X .75 ZP GR 5 |
| 33 | 3400043 | 1 | SCR-HH 1/4-20 X .50 ZP GR 5 FULL THRD |
| 34 | 711228 | 2 | SCR-HH 5/16-18 X .75 ZP GR 5 |
| 35 | 3400059 | 8 | SCR-THMS 1/4-20 X .75 SS SLOTTED |
| 36 | 3400070 | 10 | NUT-HEX 5/16-18 ZP GR 5 |
| 37 | 832829 | 8 | NUT-U TYPE 5/16-18 SPRING NUT |
| 38 | 711373 | 1 | NUT-NYLOC 1/4-20 ZP |
| 39 | 3400088 | 4 | WASHER-FLAT 5/16 X.688 X .065 ZP |
| 40 | 3400095 | 4 | WASHER-FLAT #10 ZP |
| 41 | 3400102 | 10 | WASHER-LOCK 5/16 SPLIT ZP |
| 42 | 712665 | 4 | NUT-HEX 1/4-20 SS |
| 43 | 3400278 | 8 | WASHER-FENDER 3/8 X 1.25 ZP |
| 44 | 3400321 | 4 | WASHER-LOCK 1/4 SPLIT SS |
| 45 | 3400355 | 2 | SCR-LEVEL BOLT 3/8-16 x 2.50 ZP |
| 46 | 3400384 | 6 | WASHER-CONICAL SPRING 5/16 |
| 47 | 3400390 | 6 | NUT-FLANGE WIZZ 5/16-18 ZP |
| 48 | 3400392 | 4 | NUT-FLANGE WIZZ 3/8-16 ZP |
| 49 | 3400394 | 1 | NUT-FLANGE WIZZ 7/16-14 |
| 50 | 3400484 | 1 | RIVET-AVDEL 3/16 X .602 |
| 51 | 711504 | 10 | WASHER-FLAT 1/4 SS |
| 52 | 3401021 | 2 | NUT-JAM 1/4-20 ZP NYLOC |
| 53 | 3401070 | 4 | SCR-FHSCS 5/16-18 X 1.0 ZP HEX DRIVE |
| 54 | 712562 | 10 | SCR-HH 1/4-20 X .75, 18-8 SS |
| 55 | 3307460M | 1 | HOOD-HOPPER AM9D , ORANGE |
| 56 | 3316862M | 1 | LID-HOPPER 9X, ORANGE |

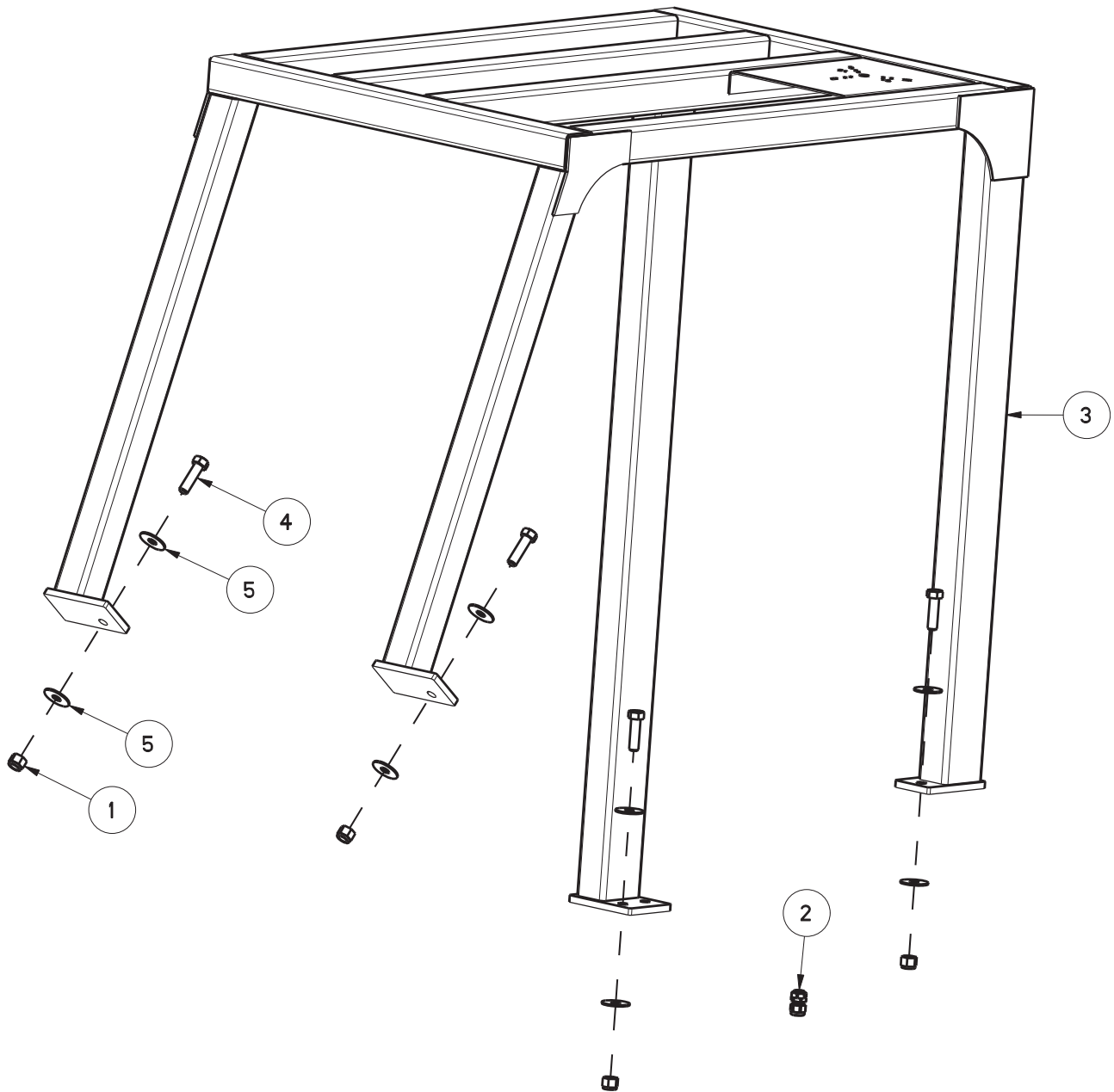
OPT - SPOTLIGHT, CURB BROOM (3316152)



OPT - SPOTLIGHT, CURB BROOM (3316152)

| ITEM | PART NO. | REQ'D | DESCRIPTION |
|------|----------|-------|---------------------------------------|
| 1 | 740014 | 1 | QC-FEMALE 14-16G .250 FULL INSULATED |
| 2 | 740016 | 1 | RING TERM-16-14G 5/16" FULL INSULATED |
| 3 | 740102 | 1 | WIRE-MTW 16GA RED |
| 4 | 828062-B | 1 | CABLE TIE-LARGE (BLACK) |
| 5 | 3301360 | 1 | HEADLIGHT-STUD MOUNT |
| 6 | 3322601 | 1 | FUSE-15 AMP AUTOMOTIVE PUSH IN |
| 7 | 3329812 | 1 | SWITCH-TOGGLE SPDT GEN PURPOSE |
| 8 | 3329813 | 1 | BOOT-SWITCH TOGGLE 15/32-32 |
| 9 | 3334829 | 1 | DECAL-SIDE BROOM SPOT LIGHT |

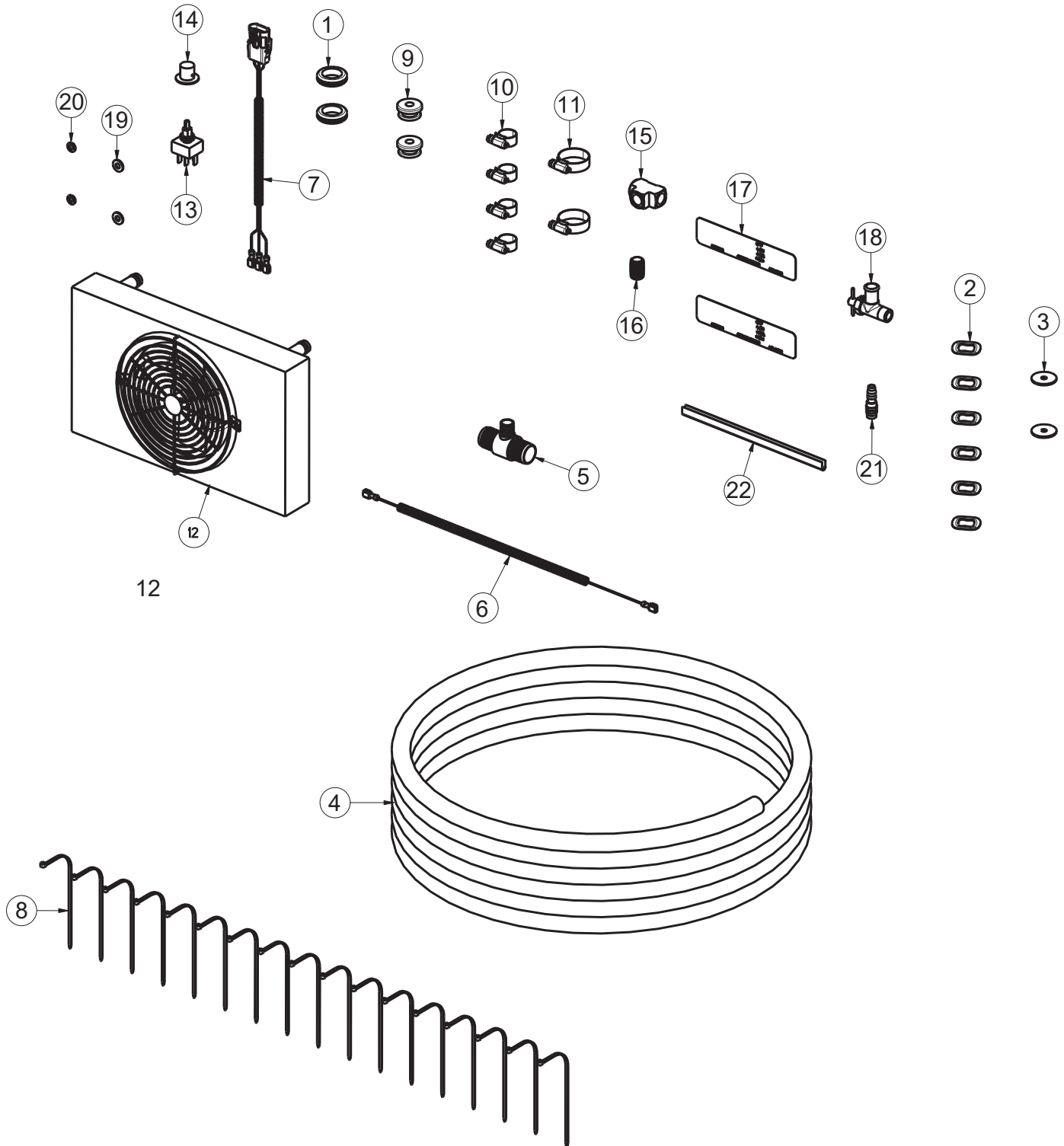
OPT - OVERHEAD GUARD (3317260)



OPT - OVERHEAD GUARD (3317260)

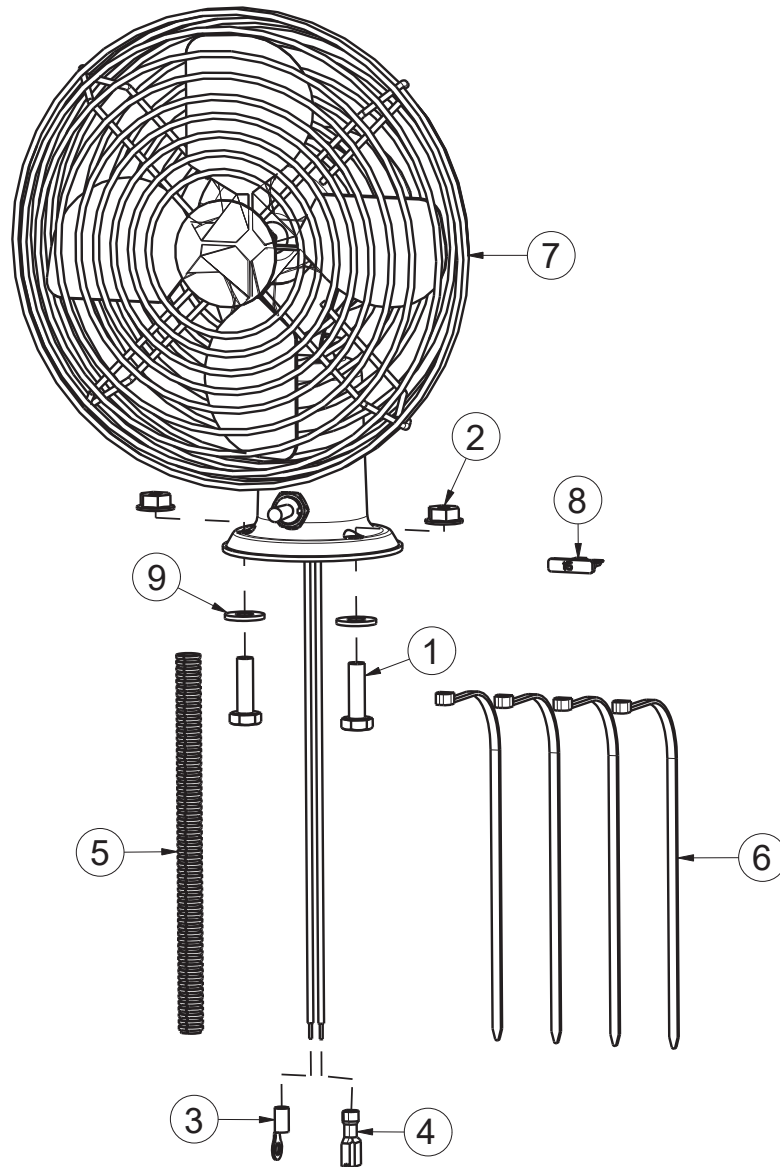
| ITEM | PART NO. | REQ'D | DESCRIPTION |
|------|----------|-------|--|
| 1 | 711376 | 4 | NUT-NYLOC 1/2-13 ZP |
| 2 | 747689 | 1 | STRAIN RELIEF CABLE DIA. .181-.312 #3210 |
| 3 | 3315855 | 1 | OHG- ARMA |
| 4 | 3400021 | 4 | SCR-HH 1/2-13 X 1.75 ZP GR 5 FULL THRD |
| 5 | 3400091 | 8 | WASHER-FENDER 1/2 X 2.00 ZP |

OPT - HEATER (3316472)



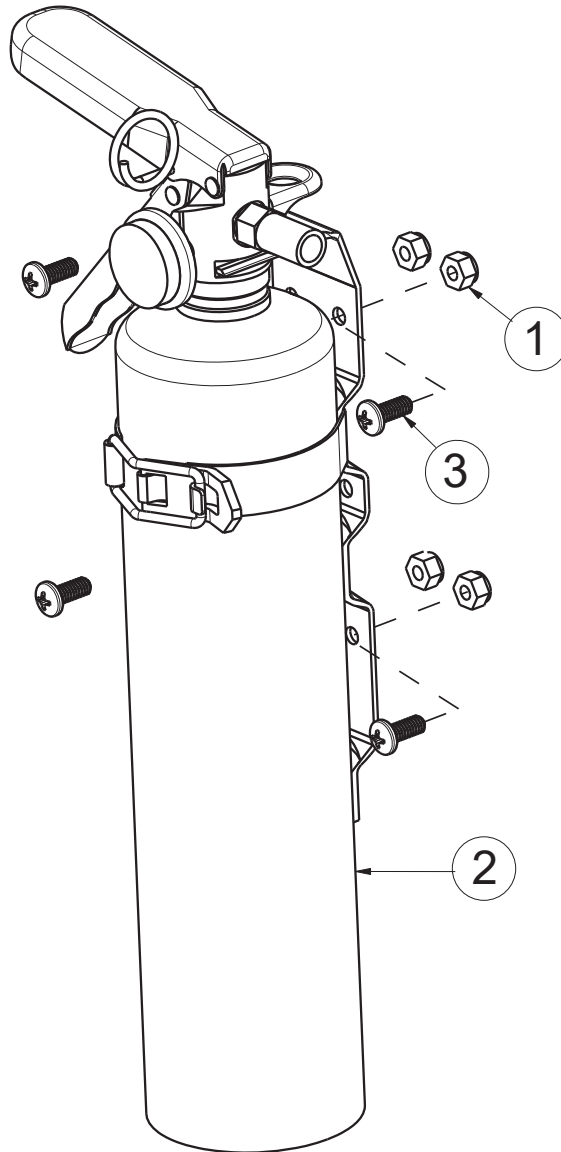
| OPT - HEATER (3316472) | | | |
|------------------------|-----------|-------|--|
| ITEM | PART NO. | REQ'D | DESCRIPTION |
| 1 | 220327 | 2 | GROMMET 1.25 X 1 X .125 |
| 2 | 600942 | 6 | WASHER-WAVE .81 X 1.24 X .03 ZINC |
| 3 | 620045 | 2 | WASHER-FENDER 1/4 X 1.25 ZP |
| 4 | 620653 | 1 | HOSE, COOLANT, 5/8 IN ID, RAW |
| 5 | 690039 | 1 | FTG-TEE 1-1/4 HBX 1-1/4 HB X 3/4 HB BRAS |
| 6 | 748717 | 1 | HARNESS ASSY, HEATER POWER |
| 7 | 748718 | 1 | HARNESS ASSY, HEATER CONTROL |
| 8 | 828062-B | 17 | CABLE TIE-LARGE (BLACK) |
| 9 | 3300465 | 2 | ISOLATOR-RUBBER (.375IDx.81OD) |
| 10 | 3302144 | 4 | CLAMP-HOSE 1/2 NOM |
| 11 | 3302193 | 2 | CLAMP-HOSE 1.25 NOM |
| 12 | 3302495-1 | 1 | HEATER ASSY, CAB OPTION |
| 13 | 3303072 | 1 | SWITCH-3 SPEED |
| 14 | 3303073 | 1 | KNOB-ROTARY SWITCH 3-SPEED |
| 15 | 3303303 | 1 | FTG-TEE 3/8 FPT |
| 16 | 3303304 | 1 | FTG-NIPPLE 3/8 BRASS |
| 17 | 3310096 | 2 | DECAL-CAB SWITCH BOX ARMA |
| 18 | 3334443 | 1 | TRUCK VALVE-.625 HOSEX.375 PIPE THD |
| 19 | 3400089 | 2 | WASHER-FLAT 1/4 ZP |
| 20 | 3400103 | 2 | WASHER-LOCK 1/4 SPLIT ZP |
| 21 | 3400820 | 1 | CONN-WATER LINE 5/8ID X 3/8THD |
| 22 | 3500117 | 1 | EDGING-VINYL TRIM 3/16" X 250' |

OPT - FAN/DEFROSTER (3317266)



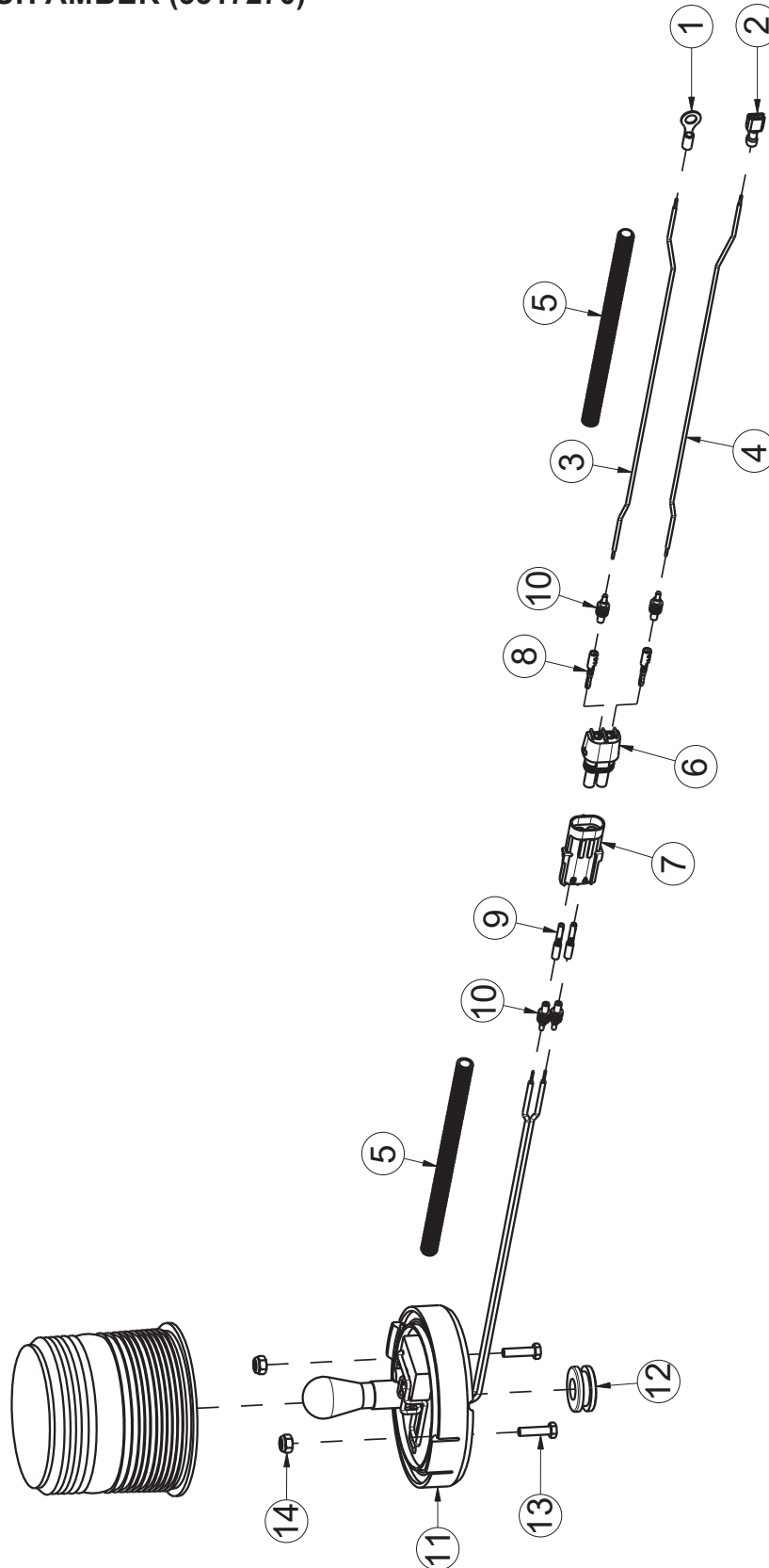
| OPT - FAN/DEFROSTER (3317266) | | | |
|--------------------------------------|-----------------|--------------|---|
| ITEM | PART NO. | REQ'D | DESCRIPTION |
| 1 | 711206 | 2 | SCR-HH 1/4-20 X .87 ZP GR 5 |
| 2 | 711425 | 2 | NUT-FLANGED WIZZ 1/4-20 ZP |
| 3 | 740010 | 1 | RING TERMINAL-14-16G #10 FULL INSULATED |
| 4 | 740014 | 1 | QC-FEMALE 14-16G .250 FULL INSULATED |
| 5 | 741231 | 1 | CONDUIT- SPLIT 1/4 ID |
| 6 | 828062-B | 4 | CABLE TIE-LARGE (BLACK) |
| 7 | 3302496 | 1 | OPT-FAN,CAB |
| 8 | 3322601 | 1 | FUSE-15 AMP AUTOMOTIVE PUSH IN |
| 9 | 3400829 | 2 | WASHER-FLAT 1/4 ZP |

OPT - FIRE EXTINGUISHER (3317268)



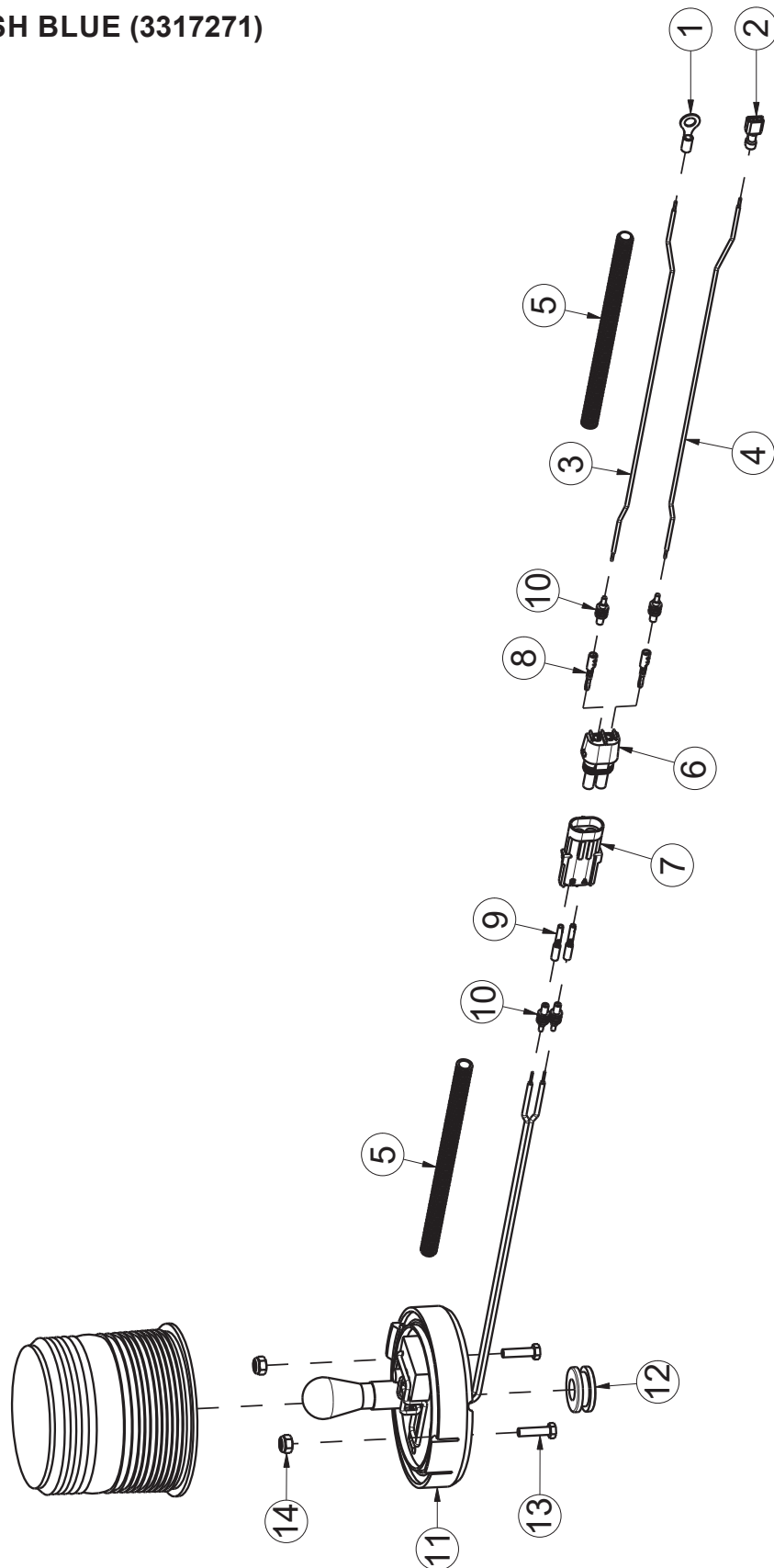
| OPT-FIRE EXTINGUISHER (3317268) | | | |
|---------------------------------|----------|-------|------------------------------|
| ITEM | PART NO. | REQ'D | DESCRIPTION |
| 1 | 711373 | 4 | NUT-NYLOC 1/4-20 ZP |
| 2 | 3302769 | 1 | EXTINGUISHER-FIRE REFILLABLE |
| 3 | 3400232 | 4 | SCR-PHMS 1/4-20 X 0.62 ZP |

OPT - LIGHT, FLASH AMBER (3317270)



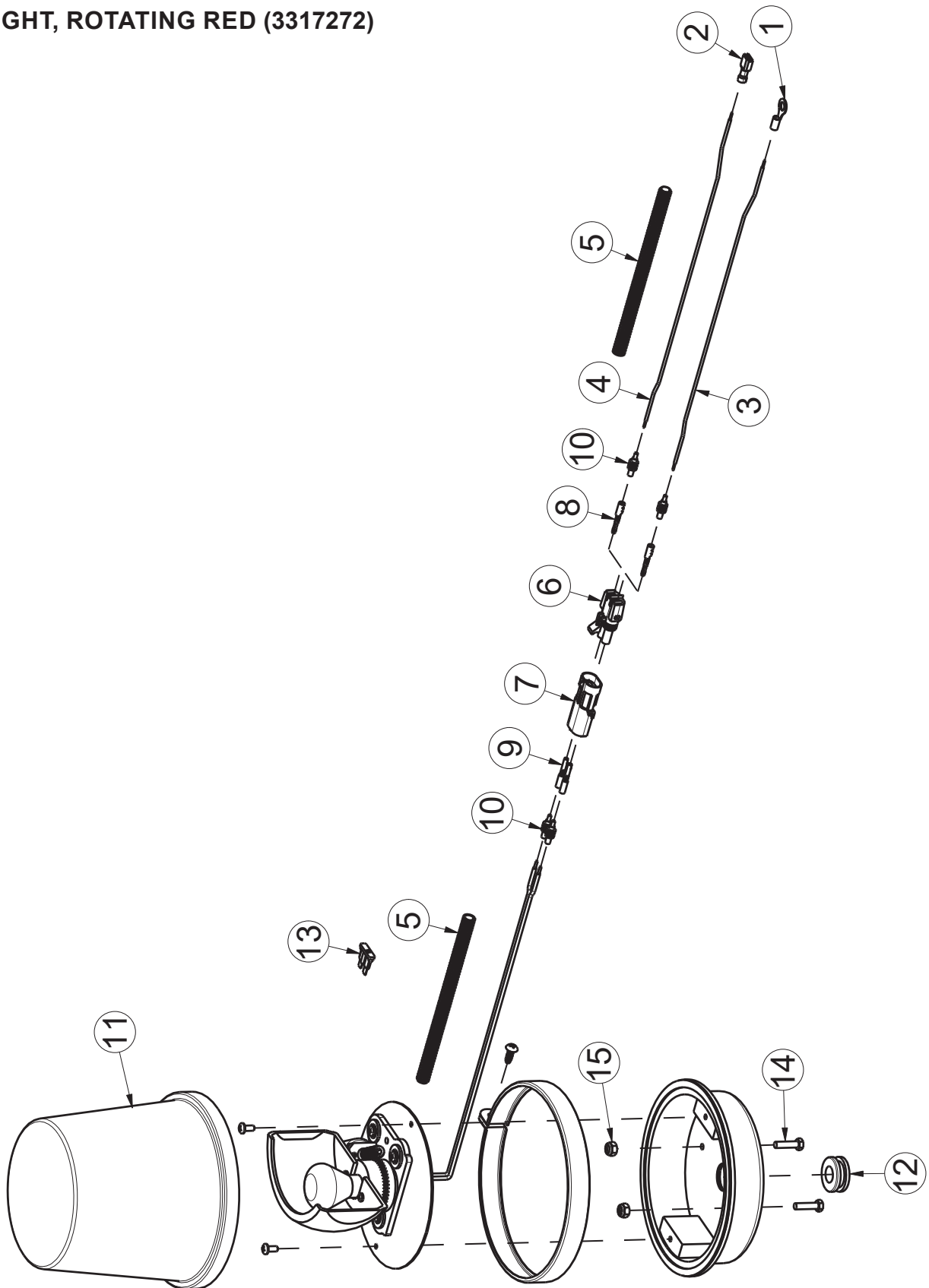
| OPT - LIGHT, FLASH AMBER (3317270) | | | |
|---|-----------------|--------------|--|
| ITEM | PART NO. | REQ'D | DESCRIPTION |
| 1 | 740012 | 1 | RING TERMINAL-14-16G 1/4" FULL INSULATED |
| 2 | 740014 | 1 | QC-FEMALE 14-16G .250 FULL INSULATED |
| 3 | 740101 | 1 | WIRE-MTW 16GA BLACK |
| 4 | 740102 | 1 | WIRE-MTW 16GA RED |
| 5 | 741231 | 2 | CONDUIT- SPLIT 1/4 ID |
| 6 | 748020 | 1 | CONNECTOR-PACKARD 2 PIN MALE |
| 7 | 748021 | 1 | CONNECTOR-PACKARD 2 PIN FEMALE |
| 8 | 748023 | 2 | CONNECTOR-PACKARD MALE 14-16G PIN |
| 9 | 748024 | 2 | CONNECTOR-PACKARD 14-16G FEMALE PIN |
| 10 | 748710 | 4 | PLUG, PACKARD 1W CAVITY PLUG |
| 11 | 3302627 | 1 | LIGHT-SAFETY AMBER FLASH 12V |
| 12 | 3311564 | 1 | GROMMET-RUBBER, 1/2 ID |
| 13 | 3400044 | 2 | SCR-HH 10-32 X .75 ZP SERR FLANGE |
| 14 | 3400172 | 2 | NUT-JAM 10-32 ZP NYLOC |

OPT - LIGHT, FLASH BLUE (3317271)



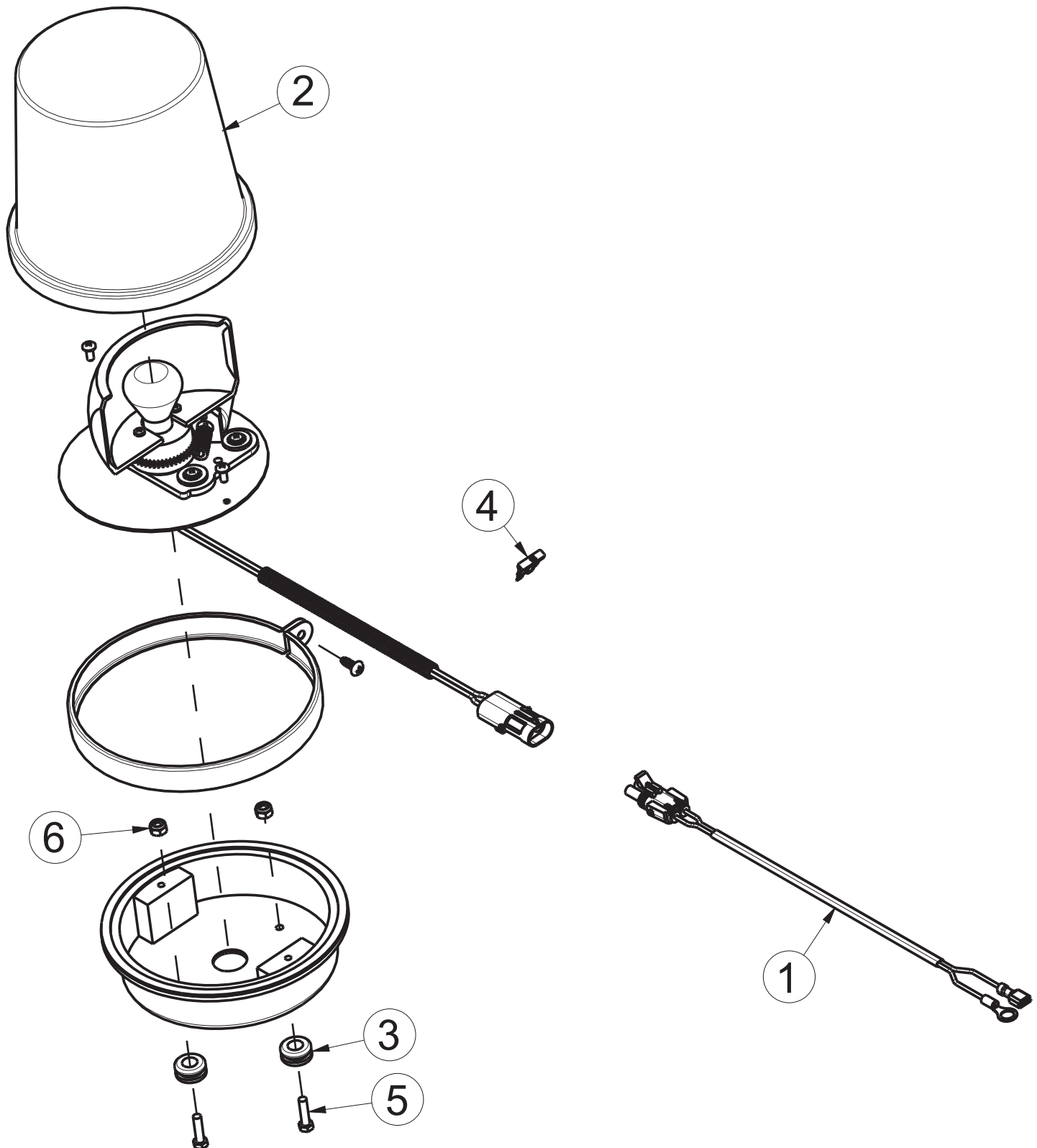
| OPT - LIGHT, FLASH BLUE (3317271) | | | |
|--|-----------------|--------------|--|
| ITEM | PART NO. | REQ'D | DESCRIPTION |
| 1 | 740012 | 1 | RING TERMINAL-14-16G 1/4" FULL INSULATED |
| 2 | 740014 | 1 | QC-FEMALE 14-16G .250 FULL INSULATED |
| 3 | 740101 | 1 | WIRE-MTW 16GA BLACK |
| 4 | 740102 | 1 | WIRE-MTW 16GA RED |
| 5 | 741231 | 2 | CONDUIT- SPLIT 1/4 ID |
| 6 | 748020 | 1 | CONNECTOR-PACKARD 2 PIN MALE |
| 7 | 748021 | 1 | CONNECTOR-PACKARD 2 PIN FEMALE |
| 8 | 748023 | 2 | CONNECTOR-PACKARD MALE 14-16G PIN |
| 9 | 748024 | 2 | CONNECTOR-PACKARD 14-16G FEMALE PIN |
| 10 | 748710 | 4 | PLUG, PACKARD 1W CAVITY PLUG |
| 11 | 3302628 | 1 | LIGHT-SAFETY BLUE FLASH 12V |
| 12 | 3311564 | 1 | GROMMET-RUBBER, 1/2 ID |
| 13 | 3400044 | 2 | SCR-HH 10-32 X .75 ZP SERR FLANGE |
| 14 | 3400172 | 2 | NUT-JAM 10-32 ZP NYLOC |

OPT - LIGHT, ROTATING RED (3317272)



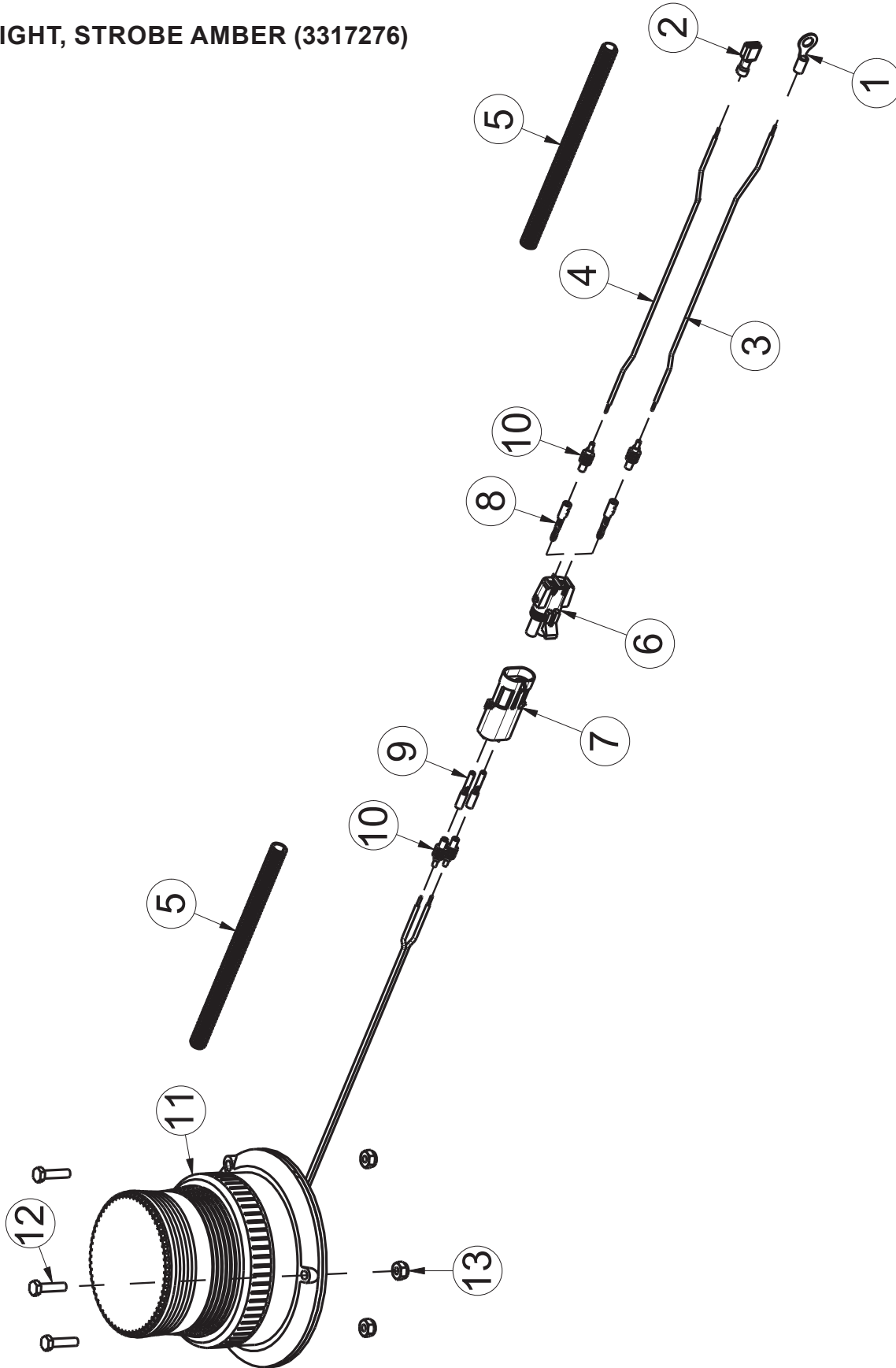
| OPT - LIGHT, ROTATING RED (3317272) | | | |
|--|-----------------|--------------|--|
| ITEM | PART NO. | REQ'D | DESCRIPTION |
| 1 | 740012 | 1 | RING TERMINAL-14-16G 1/4" FULL INSULATED |
| 2 | 740014 | 1 | QC-FEMALE 14-16G .250 FULL INSULATED |
| 3 | 740101 | 1 | WIRE-MTW 16GA BLACK |
| 4 | 740102 | 1 | WIRE-MTW 16GA RED |
| 5 | 741231 | 2 | CONDUIT- SPLIT 1/4 ID |
| 6 | 748020 | 1 | CONNECTOR-PACKARD 2 PIN MALE |
| 7 | 748021 | 1 | CONNECTOR-PACKARD 2 PIN FEMALE |
| 8 | 748023 | 2 | CONNECTOR-PACKARD MALE 14-16G PIN |
| 9 | 748024 | 2 | CONNECTOR-PACKARD 14-16G FEMALE PIN |
| 10 | 748710 | 4 | PLUG, PACKARD 1W CAVITY PLUG |
| 11 | 3301347 | 1 | LIGHT-EMERGENCY ROT RED 12V |
| 12 | 3311564 | 1 | GROMMET-RUBBER, 1/2 ID |
| 13 | 3322601 | 1 | FUSE-15 AMP AUTOMOTIVE PUSH IN |
| 14 | 3400044 | 2 | SCR-HH 10-32 X .75 ZP SERR FLANGE |
| 15 | 3400172 | 2 | NUT-JAM 10-32 ZP NYLOC |

OPT - LIGHT, ROTATING AMBER (3317273)



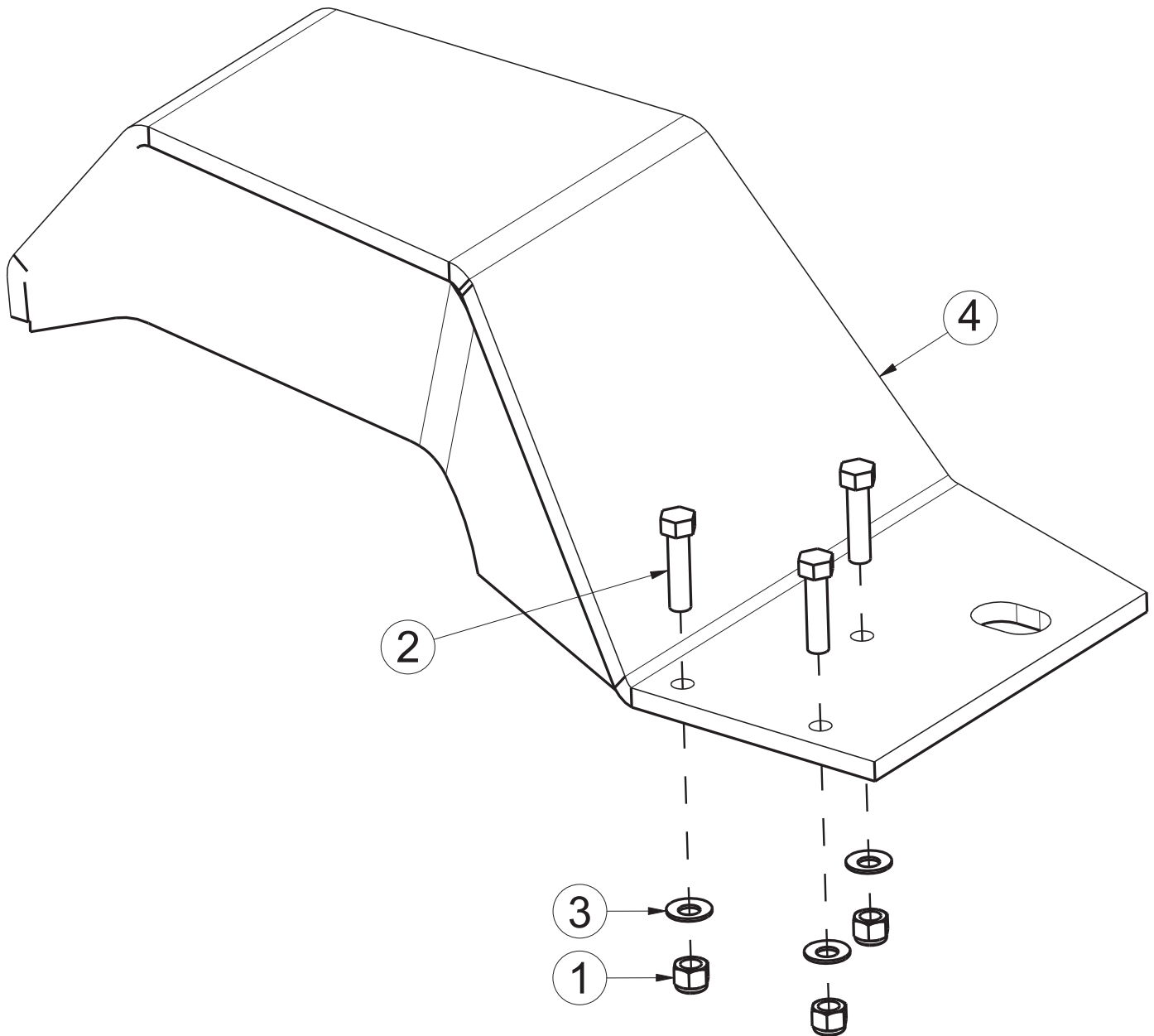
| OPT - LIGHT, ROTATING AMBER (3317273) | | | |
|--|-----------------|--------------|---|
| ITEM | PART NO. | REQ'D | DESCRIPTION |
| 1 | 748478 | 1 | HARNESS ASSY, SAFETY LIGHT |
| 2 | 748919 | 1 | ASSY, AMBER ROTATING LIGHT |
| 3 | 3301665 | 2 | GROMMET-RUBBER, 1/8" PANEL THK, 3/8" ID |
| 4 | 3322601 | 1 | FUSE-15 AMP AUTOMOTIVE PUSH IN |
| 5 | 3400044 | 2 | SCR-HH 10-32 X .75 ZP SERR FLANGE |
| 6 | 3400172 | 2 | NUT-JAM 10-32 ZP NYLOC |

OPT - LIGHT, STROBE AMBER (3317276)



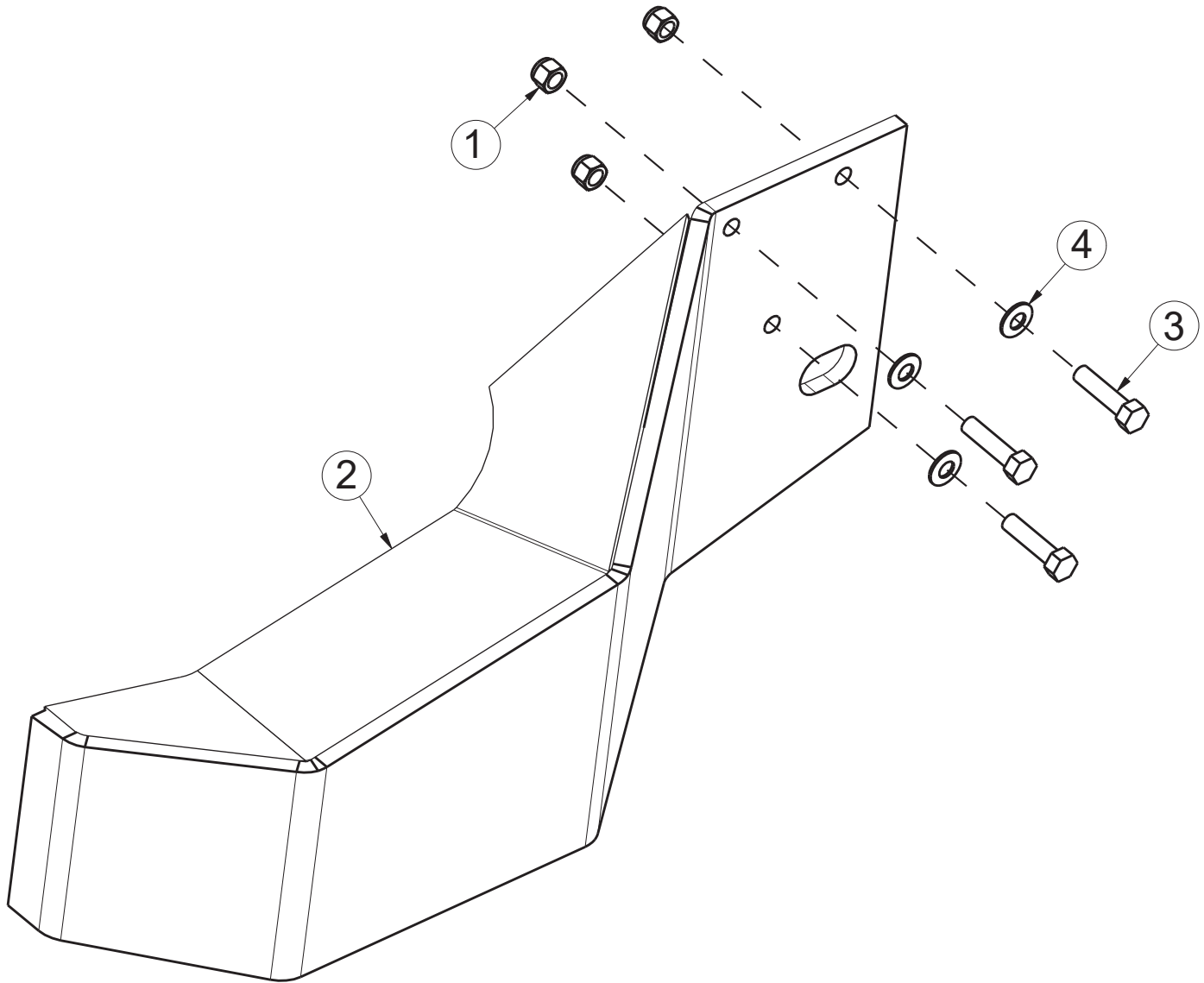
| OPT - LIGHT, STROBE AMBER (3317276) | | | |
|-------------------------------------|----------|-------|--|
| ITEM | PART NO. | REQ'D | DESCRIPTION |
| 1 | 740012 | 1 | RING TERMINAL-14-16G 1/4" FULL INSULATED |
| 2 | 740014 | 1 | QC-FEMALE 14-16G .250 FULL INSULATED |
| 3 | 740101 | 1 | WIRE-MTW 16GA BLACK |
| 4 | 740102 | 1 | WIRE-MTW 16GA RED |
| 5 | 741231 | 2 | CONDUIT- SPLIT 1/4 ID |
| 6 | 748020 | 1 | CONNECTOR-PACKARD 2 PIN MALE |
| 7 | 748021 | 1 | CONNECTOR-PACKARD 2 PIN FEMALE |
| 8 | 748023 | 2 | CONNECTOR-PACKARD MALE 14-16G PIN |
| 9 | 748024 | 2 | CONNECTOR-PACKARD 14-16G FEMALE PIN |
| 10 | 748710 | 4 | PLUG, PACKARD 1W CAVITY PLUG |
| 11 | 3301817 | 1 | SCR-HH 10-32 X .75 ZP SERR FLANGE |
| 12 | 3400044 | 3 | SCR-HH 10-32 X .75 ZP SERR FLANGE |
| 13 | 3400172 | 3 | NUT-JAM 10-32 ZP NYLOC |

OPT - HD CURB BROOM, RIGHT (3317302)



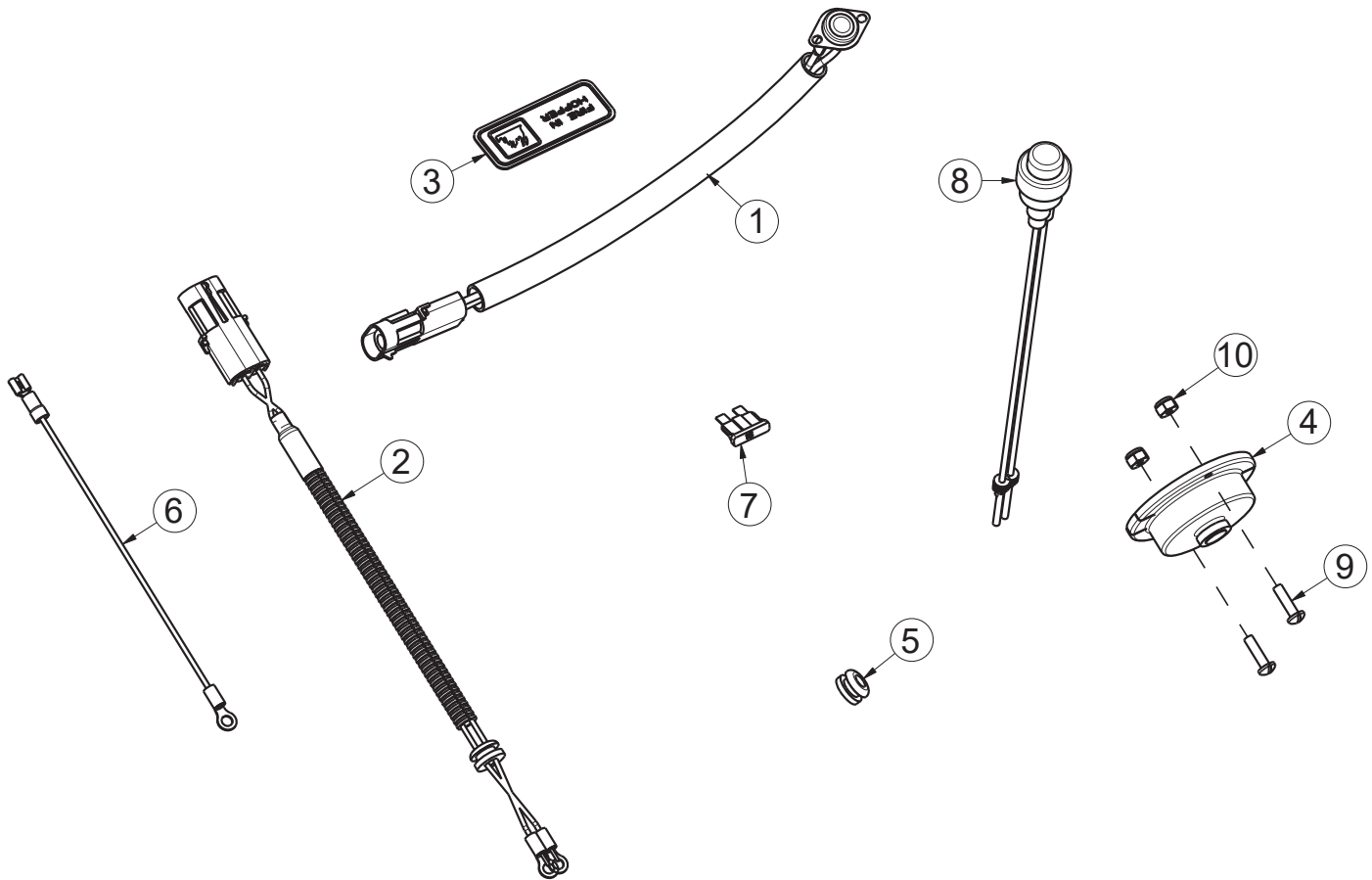
| OPT - HD CURB BROOM, RIGHT (3317302) | | | |
|---|-----------------|--------------|-----------------------------------|
| ITEM | PART NO. | REQ'D | DESCRIPTION |
| 1 | 711380 | 3 | NUT-NYLOC 3/8-16 ZP |
| 2 | 3400028 | 3 | SCR-HH 3/8-16 X 1.50 ZP GR 5 |
| 3 | 3400385 | 3 | WASHER-CONICAL SPRING 3/8 |
| 4 | 3307726M | 1 | WELD-HD RH CURB BROOM GUARD, AM9D |

OPT - HD CURB BROOM, LEFT (3330752)



| OPT - HD CURB BROOM, LEFT (3330752) | | | |
|-------------------------------------|----------|-------|-----------------------------------|
| ITEM | PART NO. | REQ'D | DESCRIPTION |
| 1 | 711380 | 3 | NUT-NYLOC 3/8-16 ZP |
| 2 | 3400028 | 3 | SCR-HH 3/8-16 X 1.50 ZP GR 5 |
| 3 | 3400385 | 3 | WASHER-CONICAL SPRING 3/8 |
| 4 | 3307726M | 1 | WELD-HD RH CURB BROOM GUARD, AM9D |

OPT - SAFETY, FIRE IN HOPPER INDICATOR (3317307)

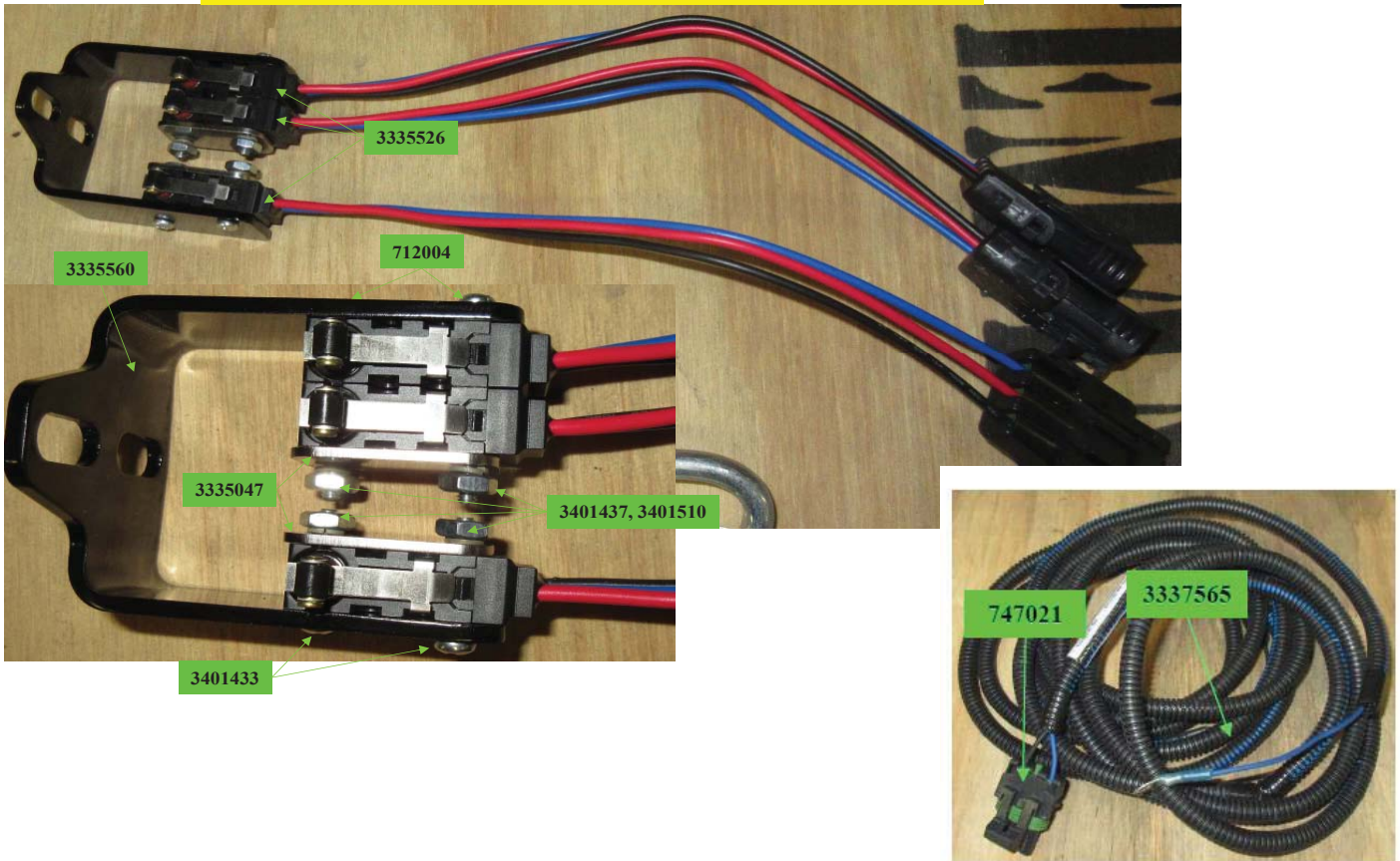


OPT - SAFETY, FIRE IN HOPPER INDICATOR (3317307)

| ITEM | PART NO. | REQ'D | DESCRIPTION |
|------|----------|-------|---|
| 1 | 748504-1 | 1 | THERMOSTAT ASSEMBLY |
| 2 | 748711 | 1 | WIRE HARNESS - FIRE IN THE HOPPER |
| 3 | 3302521 | 1 | DECAL-FIRE IN HOPPER (LEXAN) |
| 4 | 3303003 | 1 | DETECTOR-HEAT 135F TRIP 57C (INCLUDED WITH ITEM #1) |
| 5 | 3303729 | 1 | GROMMET-.25ID X .56OD X .12GRV |
| 6 | 3310099 | 1 | HARNESS-FIRE IN HOPPER INDICATOR |
| 7 | 3322601 | 1 | FUSE-15 AMP AUTOMOTIVE PUSH IN |
| 8 | 3342905 | 1 | ASSY- INDICATOR LIGHT RED W/PACKARDTERMS |
| 9 | 3400045 | 2 | SCR-PHMS 8-32X0.62 ZP SLOT HEAD |
| 10 | 3400082 | 2 | NUT-NYLOC 8-32 ZP |

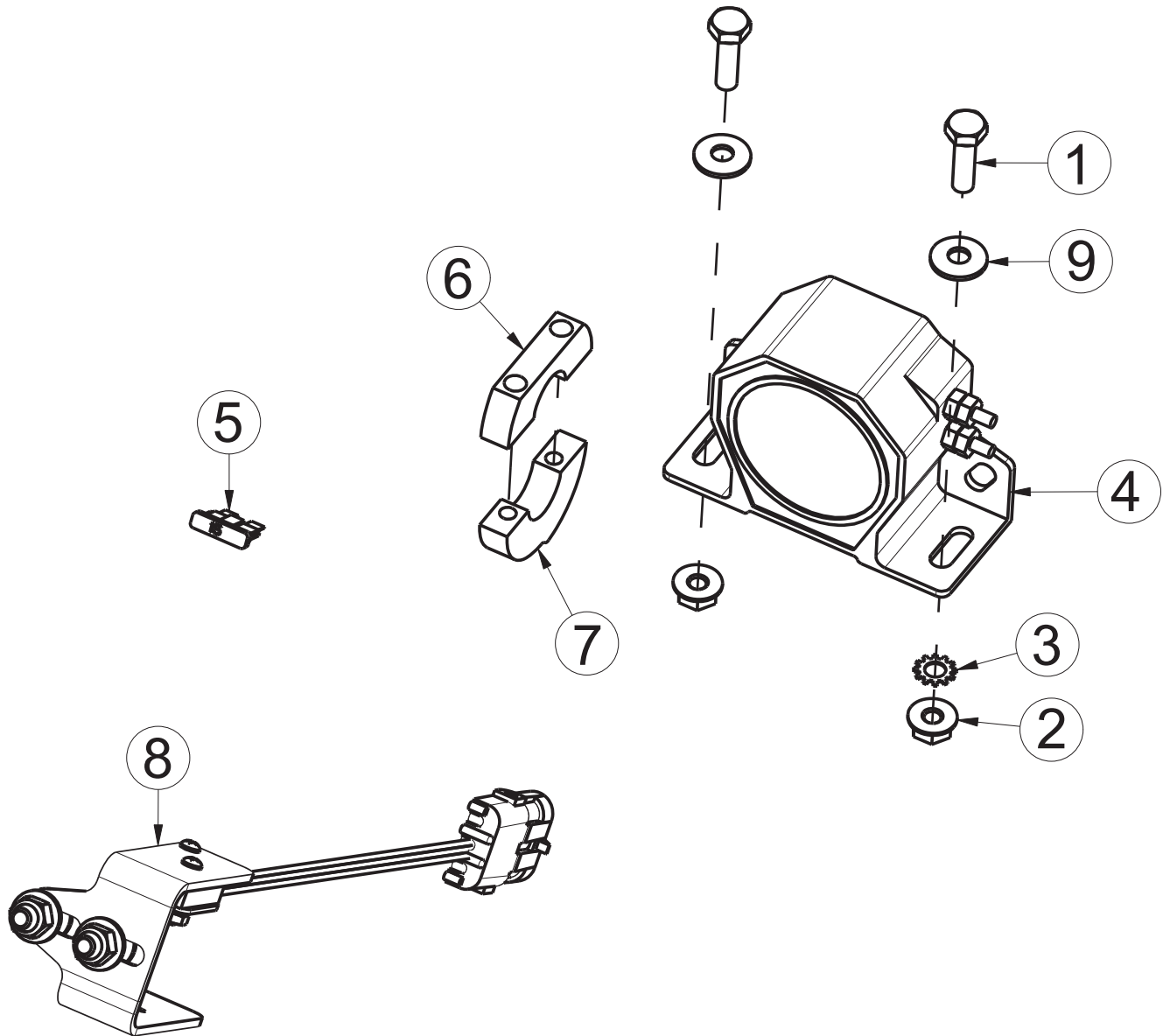
OPT - CE BACKUP ALARM & NEUTRAL SAFETY SWITCH (3317306P)

ASSEMBLE SWITCHES AND BRACKET AS SHOWN BELOW



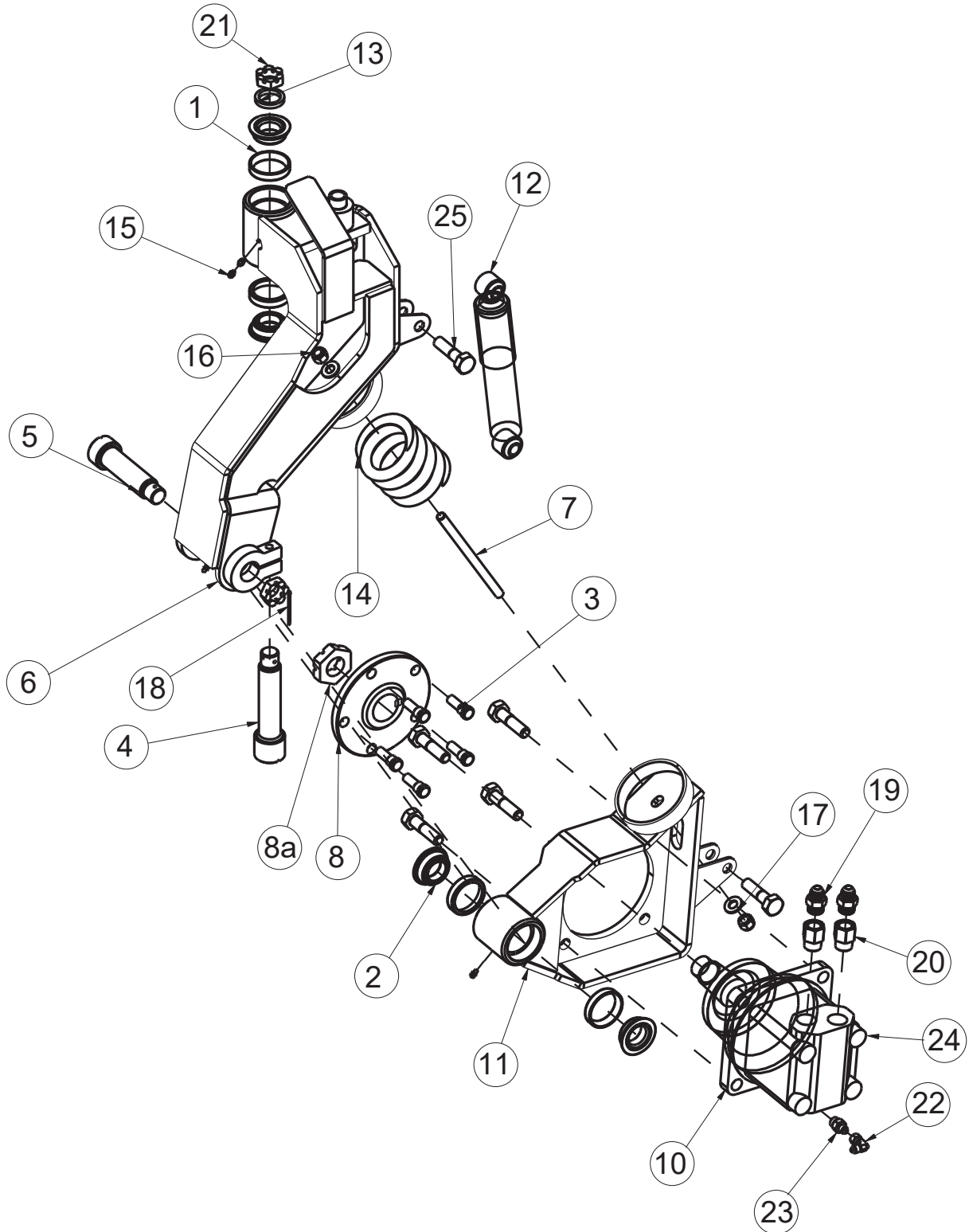
| OPT - CE BACKUP ALARM & NEUTRAL SAFETY SWITCH (3317306P) | | |
|--|-------|--|
| PART NO. | REQ'D | DESCRIPTION |
| 3303002 | 1 | HORN-BACK UP, 97 db(A), 12VDC (NOT SHOWN) |
| 3322601 | 1 | FUSE-15 AMP AUTOMOTIVE PUSH IN (NOT SHOWN) |
| 3335222 | 3 | CAM-SWITCH, LOWER THRTL POS (NOT SHOWN) |
| 3335223 | 3 | CAM-SWITCH, UPPER, BACKUP (NOT SHOWN) |
| 749014 | 1 | HARNESS ASSY, NEUTRAL SAFE (NOT SHOWN) |
| 3335047 | 2 | CLAMP-SWITCH |
| 3335526 | 2 | ASSY- SWITCH LIMIT, MALE |
| 3401437 | 2 | NUT-HEX #5-40 ZP |
| 3401510 | 2 | WASHER-MED SPLIT LOCK, #5, ZP |
| 712004 | 2 | SCREW-MACH SLOT ROUND HD 5-40x1-1/4 ZINC |
| 3401433 | 2 | SCR-PHMS 5-40 X 0.75 ZP |
| 3335560 | 1 | MNT-SWITCH POS, FWD/REV, 1900 |
| 3337565 | 1 | HARNESS - OPT, BACKUP ALARM, ARMA |
| 747021 | 1 | CONNECTOR-PACKARD 3 PIN MALE |

OPT - BACKUP ALARM & NEUTRAL SAFETY SWITCH (3317306)



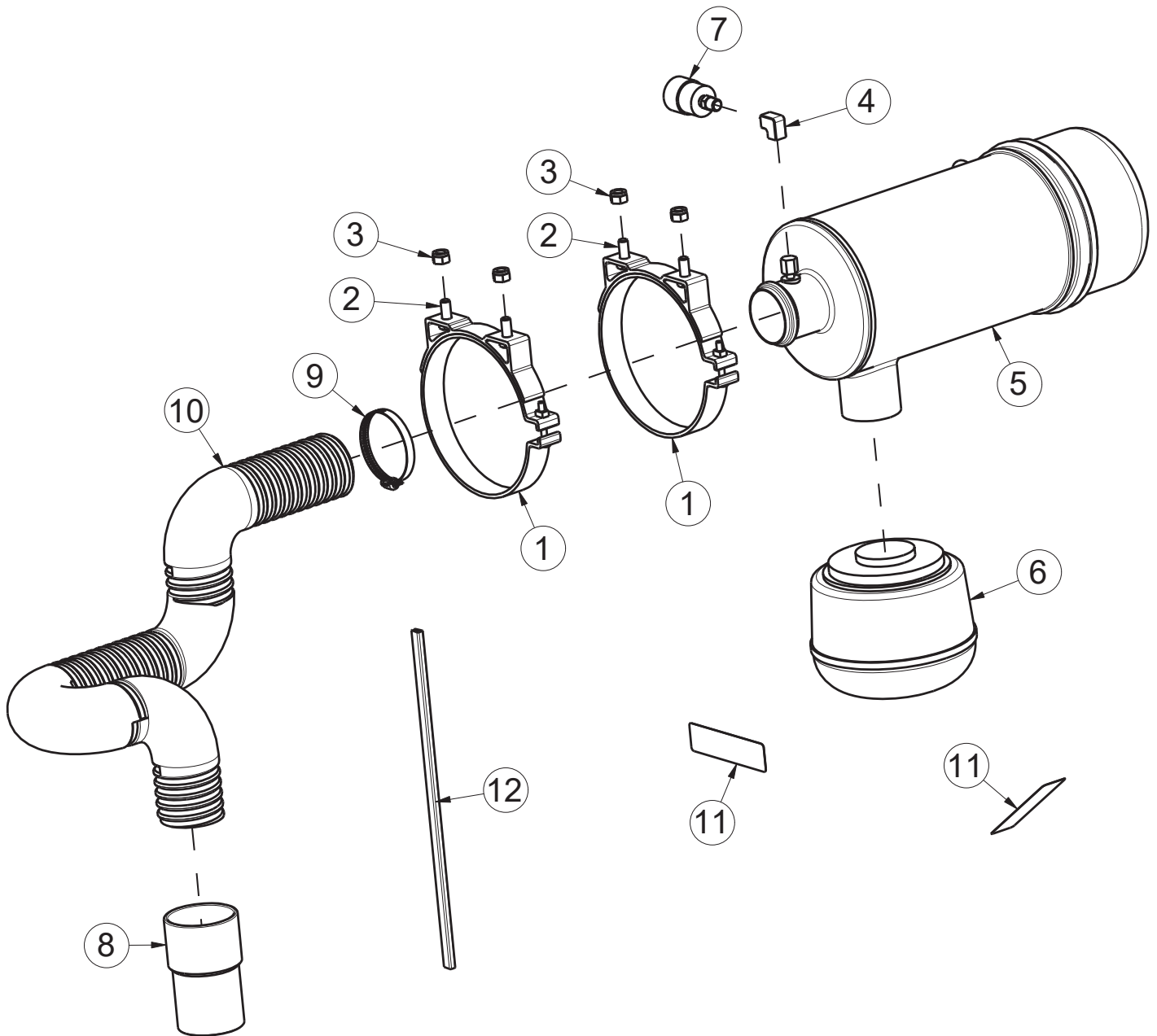
| OPT - BACKUP ALARM & NEUTRAL SAFETY SWITCH (3317306) | | | |
|---|-----------------|--------------|---------------------------------------|
| ITEM | PART NO. | REQ'D | DESCRIPTION |
| 1 | 711206 | 2 | SCR-HH 1/4-20 X .87 ZP GR 5 |
| 2 | 711425 | 2 | NUT-FLANGED WIZZ 1/4-20 ZP |
| 3 | 711564 | 1 | WASHER-EXT LOCK 1/4 ZP |
| 4 | 3303002 | 1 | HORN-BACK UP, 97 db(A), 12VDC |
| 5 | 3322601 | 1 | FUSE-15 AMP AUTOMOTIVE PUSH IN |
| 6 | 3335222 | 1 | CAM-SWITCH, LOWER THRTL POS |
| 7 | 3335223 | 1 | CAM-SWITCH, UPPER, BACKUP |
| 8 | 3337850 | 1 | ASSY - BACKUP ALARM SWITCH, ARMADILLO |
| 9 | 3400383 | 2 | WASHER-CONICAL SPRING 1/4 |
| 10 | 3337565P | 1 | HARNESS - OPT, BACKUP ALARM, ARMA |

OPT - POWERFLEX (3322125)



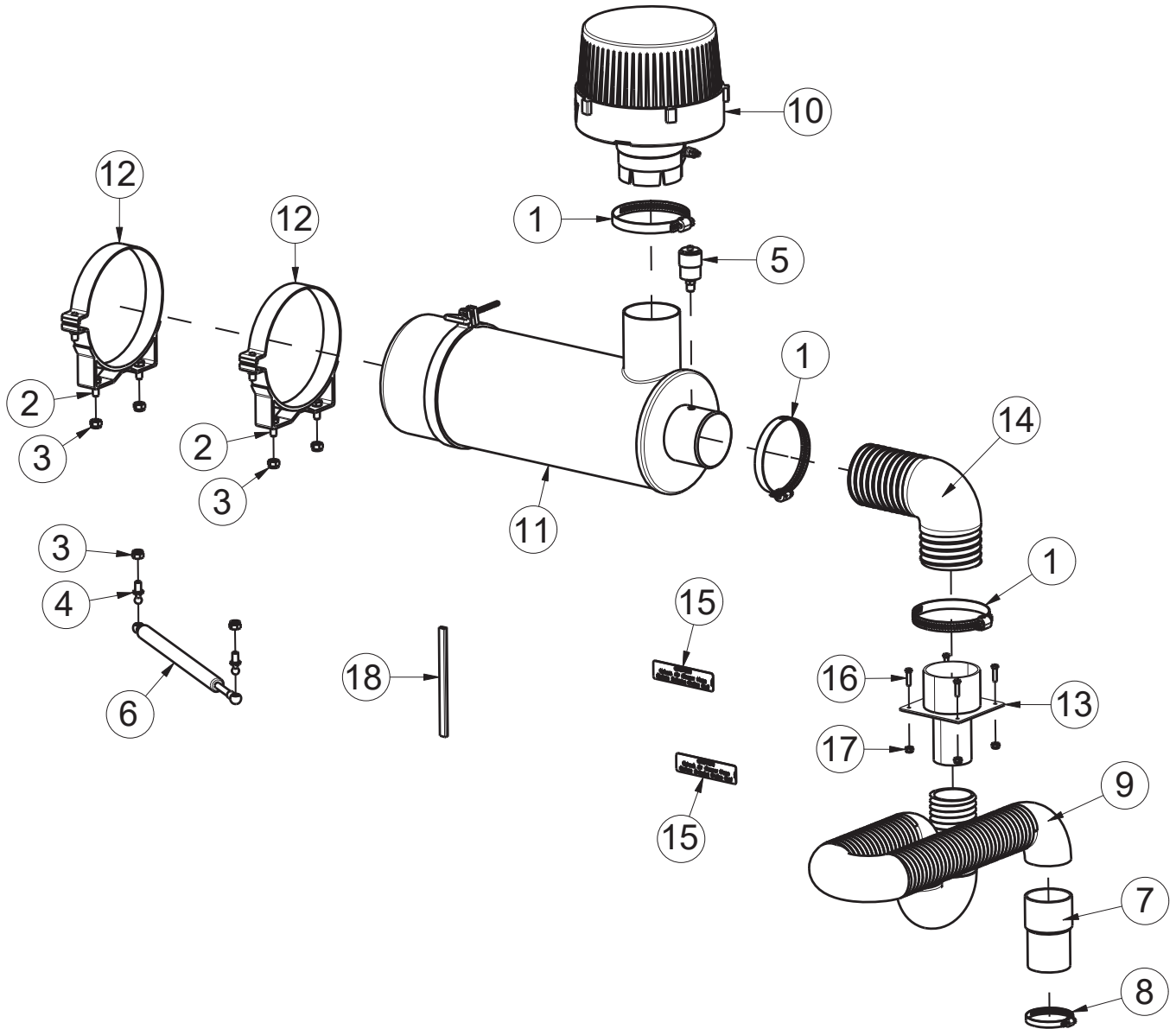
| OPT - POWERFLEX (3322125) | | | |
|---------------------------|----------|-------|--|
| ITEM | PART NO. | REQ'D | DESCRIPTION |
| 1 | 3300470 | 4 | BEARING- TAPERED ROL CUP |
| 2 | 3300471 | 4 | BEARING- TAPERED ROLCONE W/SEAL |
| 3 | 3307348 | 5 | STUD - WHEEL, 1/2- 20X 1. 63 CREAR SW/A) |
| 4 | 3307349 | 1 | PIN - REAR FORK SW/A |
| 5 | 3309790 | 1 | PIN-KNEE POWERHEX FABRCATED |
| 6 | 3316888 | 1 | WELDMENT - STEERING FORK |
| 7 | 3319410 | 1 | ROD-TENSION POWER FLEX |
| 8 | 3321150 | 1 | HUB-RE AR ARMA OMTW SERIES |
| 8a | | 1 | NUT-MOTOR-DRIVE ARMA OMTW SERIES |
| 10 | 3321151 | 1 | MOTOR -DR IVE ARMA OMTW SERIES |
| 11 | 3321170 | 1 | MNT-MOTOR P-FLEX SW9X/10X |
| 12 | 3321176 | 1 | SHOCK ABSORBER-POWER HEX |
| 13 | 3337860 | 1 | SPACER. STEER ING.FORK |
| 14 | 3350209 | 1 | SPRING-POWER FLEX ARMA |
| 15 | 3400012 | 4 | FTG-GREASE 3/16 DR IVE |
| 16 | 3400078 | 2 | NUT-HEX 1/2- 13 ES ZP |
| 17 | 3400086 | 2 | WASHER-FLAT 112 STANDARD ZP |
| 18 | 3400122 | 1 | COTTER P IN 1/8 X 2 |
| 19 | 3400151 | 2 | FTG-7/6- 14 STOR TO 3/4-16 JIC 37 DEG |
| 20 | 3400168 | 2 | FTG-ADAPTER 1 1/6- 12 EXT TO |
| 21 | 3400223 | 2 | NUT-SLOTTED, 1 - 20 UNEF |
| 22 | 3400245 | 1 | FTG-90 SWIVEL 4 JIC |
| 23 | 3400264 | 1 | FTG-STR 4 MJIC X 6 MORB |
| 24 | 3400485 | 4 | SCR - HHM 5/8 - 11 X 2.5 ZP |
| 25 | 713601 | 2 | SCR-HH 5/8-11 X 2.75 ZP YEL GR 8 |

OPT - AIR CLEANER, EXTERNAL AUX (3330896)



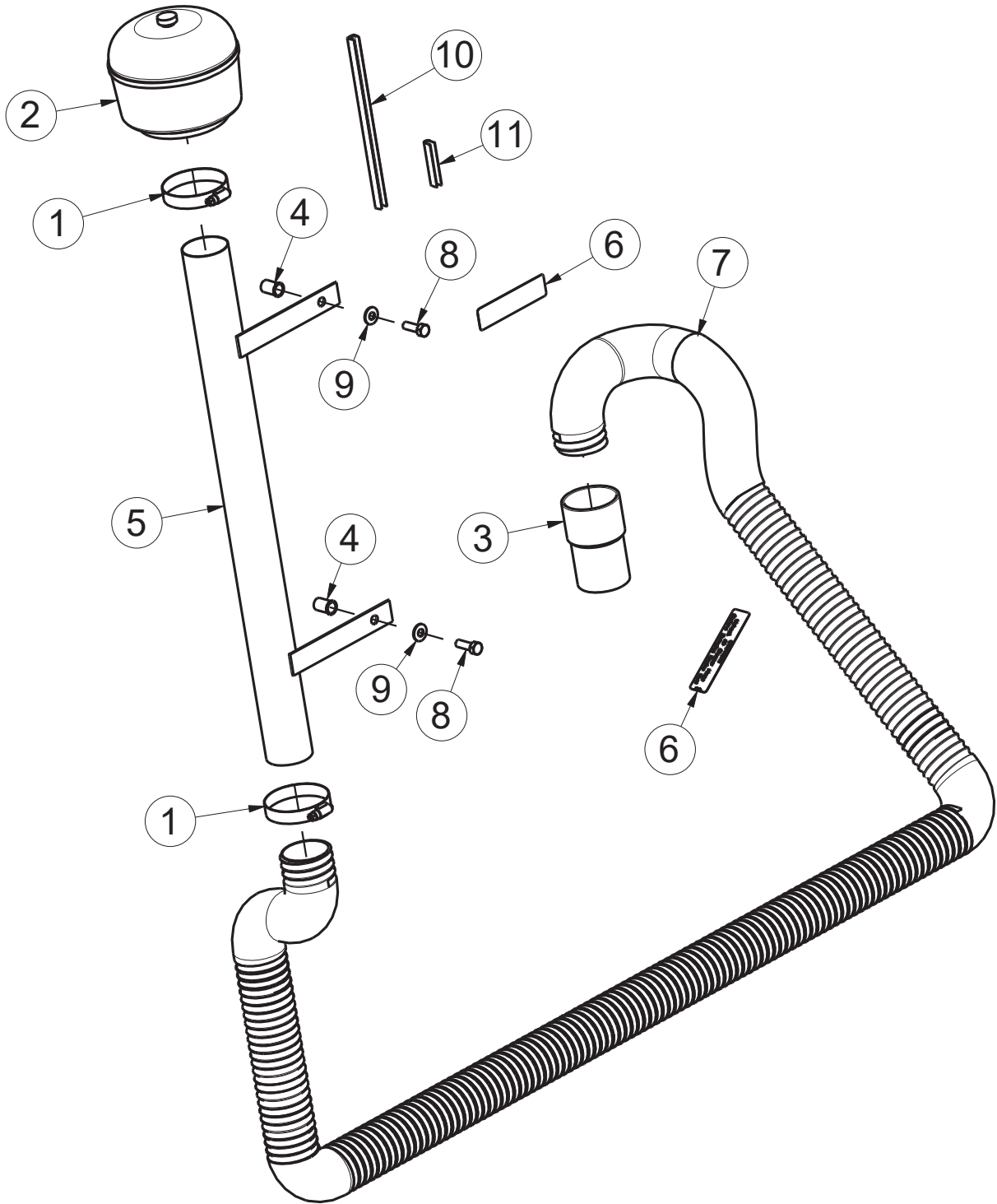
| OPT - AIR CLEANER, EXTERNAL AUX (3330896) | | | |
|---|----------|-------|--|
| ITEM | PART NO. | REQ'D | DESCRIPTION |
| 1 | 690008 | 2 | CLAMP, W-FOOT, AIR CLEANER, AM9D |
| 2 | 711228 | 4 | SCR-HH 5/16-18 X .75 ZP GR 5 |
| 3 | 711374 | 4 | NUT-NYLOC 5/16-18 ZP |
| 4 | 3301720 | 1 | FTG-90 ELL 1/8 FPT |
| 5 | 3303031 | 1 | AIR CLNR- HEAVY DUTY |
| 6 | 3303887 | 1 | PRE-CLEANER-DONALDSON AIR CLNR |
| 7 | 3303991 | 1 | INDICATOR-AIR CLEANER RESTRICTION |
| 8 | 3311797 | 1 | CUFF-HOSE 2" X 2" |
| 9 | 3312189 | 1 | CLAMP-HOSE 2" NOMINAL SS WORM |
| 10 | 3323900 | 1 | HOSE-VACUUM TC/1 |
| 11 | 3333769 | 2 | DECAL-UNHOOK AIR CLEANER HOSE B4 ENG SWV |
| 12 | 3500118 | 1 | EDGING-VINYL TRIM 1/8" X 250' |

OPT - AIR CLEANER, HEAVY DUTY (3331034)



| OPT - AIR CLEANER, HEAVY DUTY (3331034) | | | |
|---|----------|-------|--|
| ITEM | PART NO. | REQ'D | DESCRIPTION |
| 1 | 620176 | 3 | CLAMP, HOSE, WORM TYPE, 4" |
| 2 | 711228 | 4 | SCR-HH 5/16-18 X .75 ZP GR 5 |
| 3 | 711374 | 6 | NUT-NYLOC 5/16-18 ZP |
| 4 | 3300376 | 2 | STUD-BALL GAS SPR 5/16-18 THRD .391DIA. |
| 5 | 3303991 | 1 | INDICATOR-AIR CLEANER RESTRICTION |
| 6 | 3308767 | 1 | SPRING-GAS 8" STROKE, 19.7" EXT (100LBF) |
| 7 | 3311797 | 1 | CUFF-HOSE 2" X 2" |
| 8 | 3312189 | 1 | CLAMP-HOSE 2" NOMINAL SS WORM |
| 9 | 3317909 | 1 | HOSE-2" DIAx36" LONG |
| 10 | 3331035 | 1 | AIR CLEANER-TURBO 3 MODEL HEAVY DUTY |
| 11 | 3331036 | 1 | AIR CLEANER-HEAVY DUTY(METAL) |
| 12 | 3331037 | 2 | CLAMP-HD AIR CLEANER |
| 13 | 3332508 | 1 | AIR HOSE CONNECTOR 2" DIA |
| 14 | 3332509 | 1 | HOSE-3" IDx18" LG, HD AIR CLEANER |
| 15 | 3333769 | 2 | DECAL-UNHOOK AIR CLEANER HOSE B4 ENG SWV |
| 16 | 3400044 | 4 | SCR-HH 10-32 X .75 ZP SERR FLANGE |
| 17 | 3400172 | 4 | NUT-JAM 10-32 ZP NYLOC |
| 18 | 3500118 | 1 | EDGING-VINYL TRIM 1/8" X 250' |

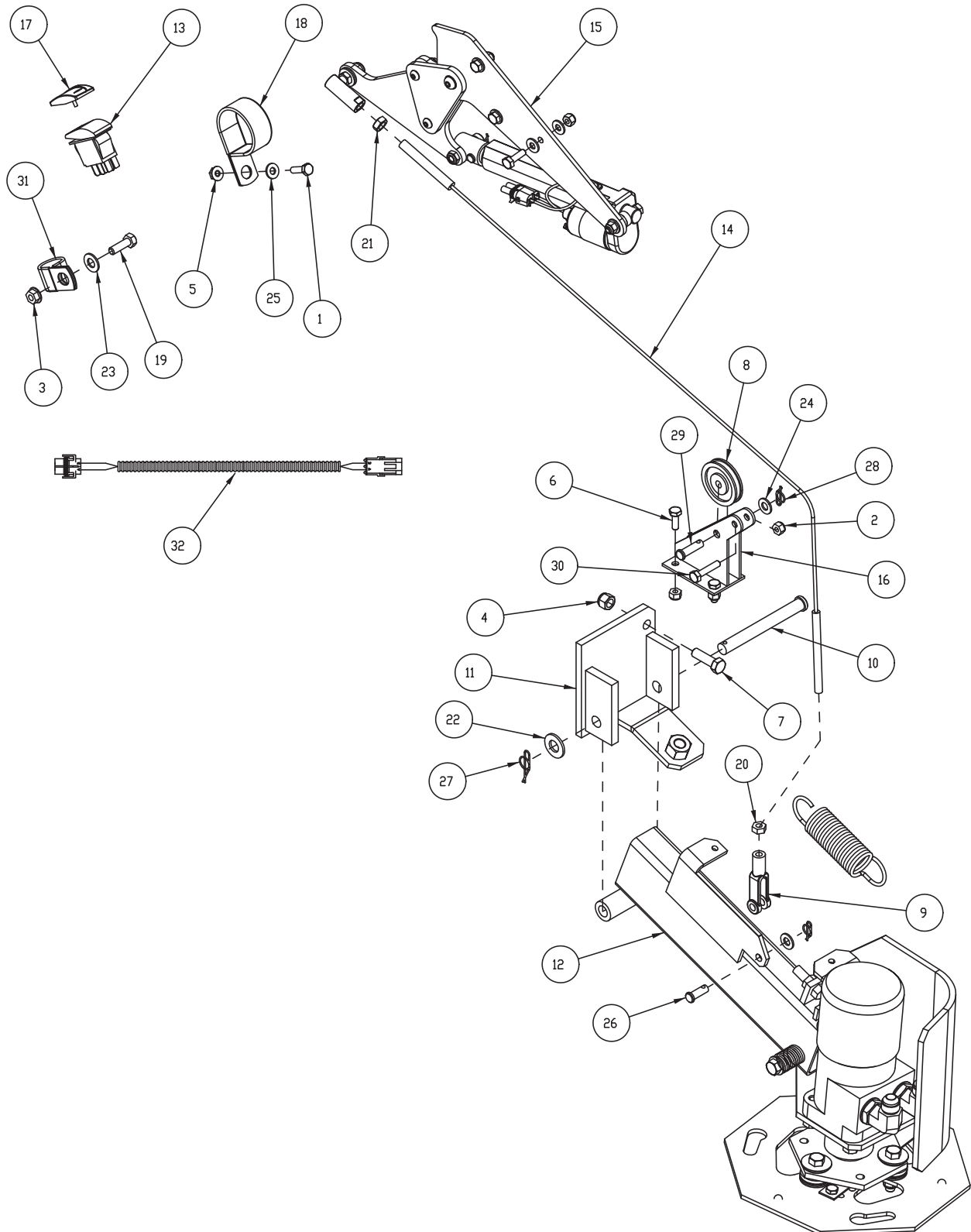
OPT - AIR CLEANER, EXTERNAL AUX OVERHEAD GUARD (3331338)



| OPT - AIR CLEANER, EXTERNAL AUX OVERHEAD GUARD (3331338) | | | |
|---|-----------------|--------------|--|
| ITEM | PART NO. | REQ'D | DESCRIPTION |
| 1 | 3300336 | 2 | CLAMP-HOSE 3" MAX SS |
| 2 | 3303887 | 1 | PRE-CLEANER-DONALDSON AIR CLNR |
| 3 | 3311797 | 1 | CUFF-HOSE 2" X 2" |
| 4 | 3322187 | 2 | INSERT-5/16-18 UNC, GRIP RANGE .150-.312 |
| 5 | 3331337 | 1 | MNT EXTRNL AUX SW/A OHG |
| 6 | 3333769 | 2 | DECAL-UNHOOK AIR CLEANER HOSE B4 ENG SWV |
| 7 | 3342991 | 1 | HOSE-INTK EXT AUX SW/A OHG/90" LGTH |
| 8 | 3400035 | 2 | SCR-HH 5/16-18 X 1.00 ZP GR 5 |
| 9 | 3400384 | 2 | WASHER-CONICAL SPRING 5/16 |
| 10 | 3500116 | 1 | EDGING-VINYL 5/16 |
| 11 | 3500117 | 1 | EDGING-VINYL TRIM 3/16" X 250' |

OPT - LH CURB BROOM KIT ASSEMBLY (3338666)

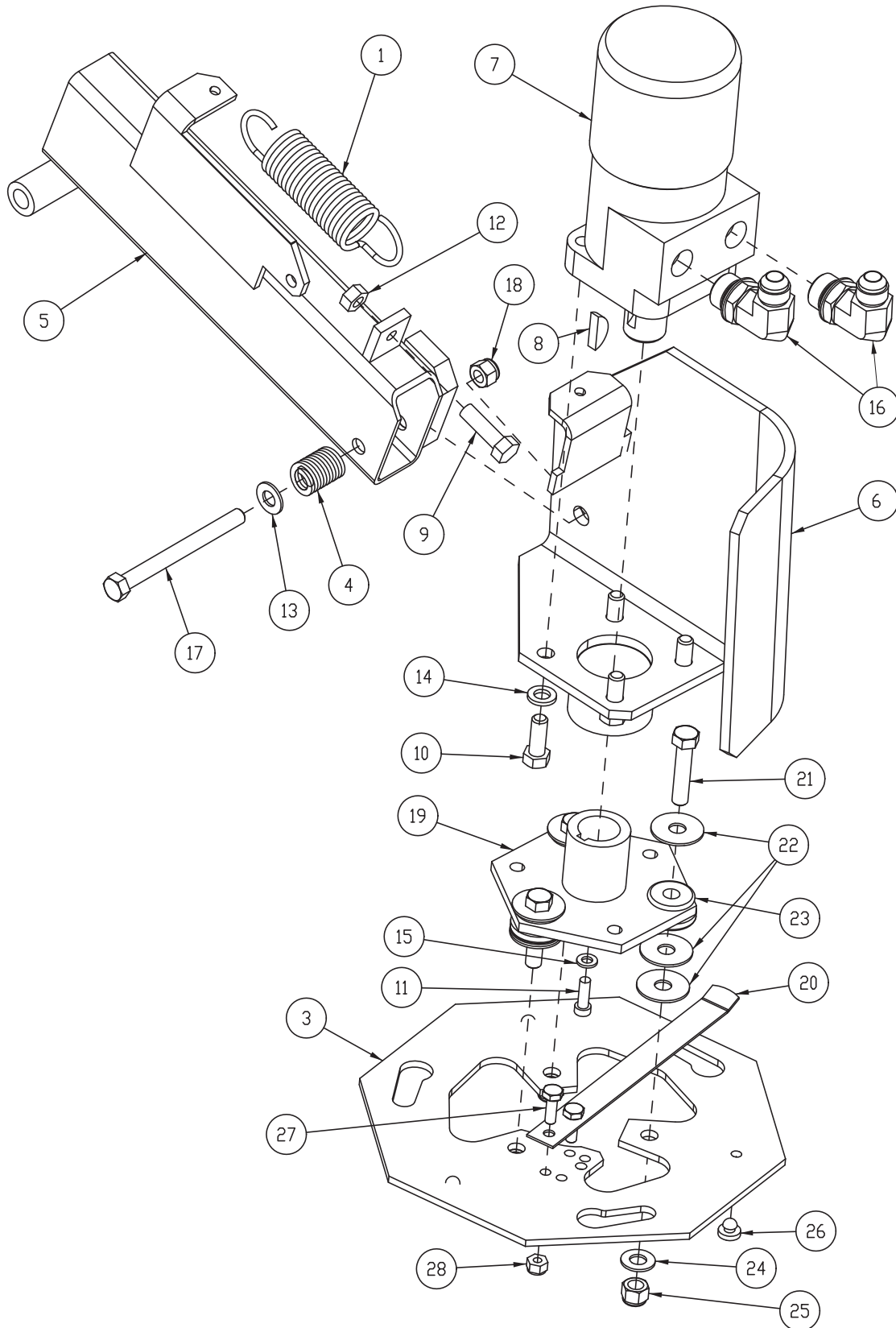
OPT - DUAL CURB BROOM KIT ASSEMBLY WITH HOPPER (3333918)



OPT - LH CURB BROOM KIT ASSEMBLY (3338666)
DUAL CURB BROOM KIT ASSEMBLY WITH HOPPER (3333918)

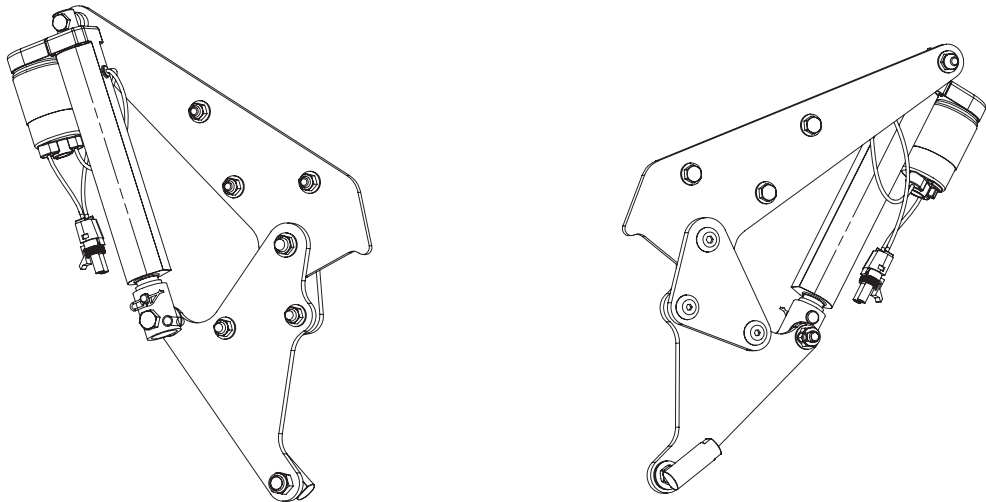
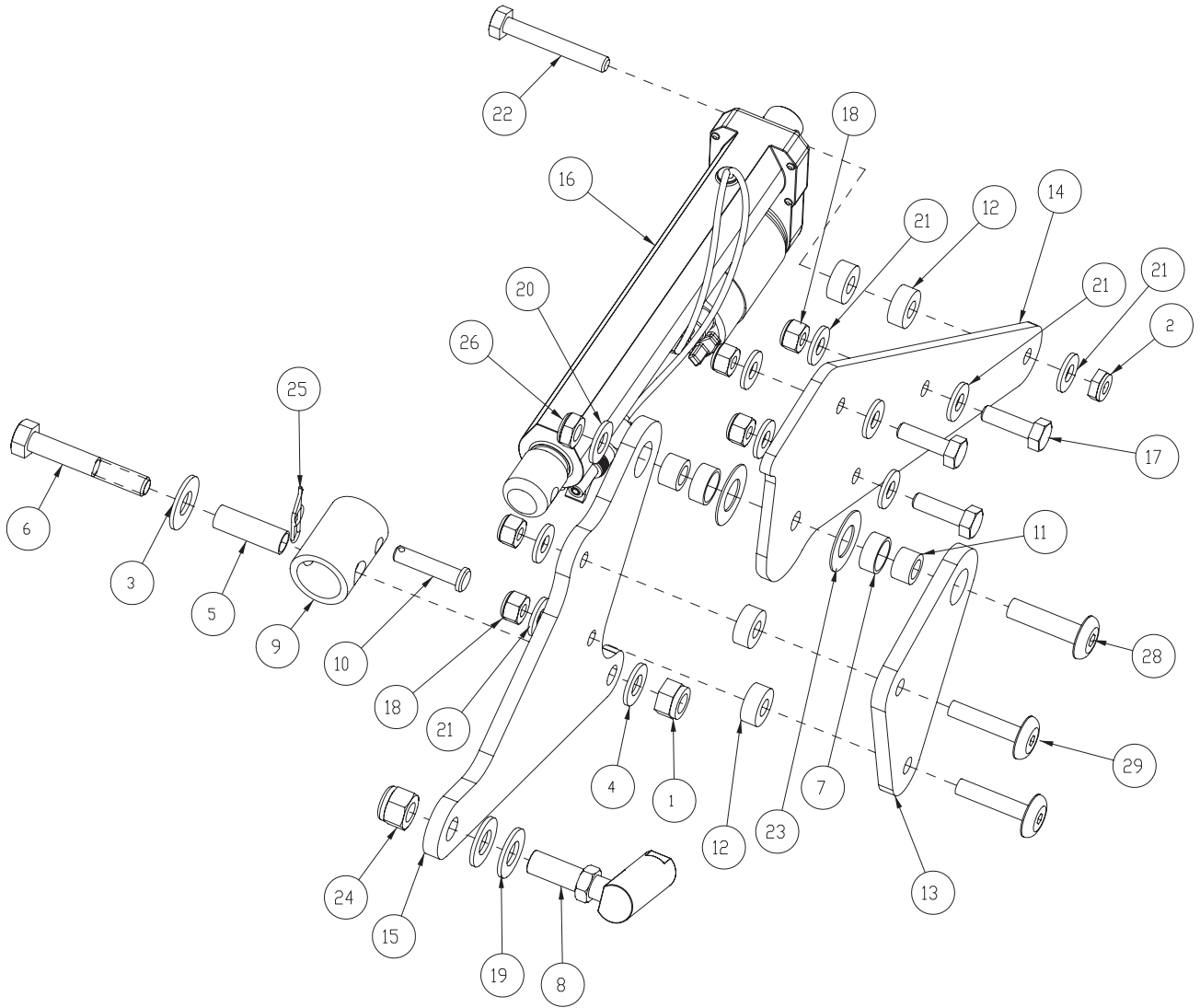
| ITEM | PART NO. | REQ'D | DESCRIPTION |
|------|----------|-------|--|
| 1 | 711206 | 1 | BLT-HH 1/4-20 X .87 STL ZINC |
| 2 | 711373 | 3 | NUT-NYLOC 1/4-20 |
| 3 | 711379 | 1 | NUT-FLANGED WIZZ 5/16-18 |
| 4 | 711380 | 2 | NUT-NYLOC 3/8-16 |
| 5 | 711425 | 1 | NUT-FLANGED WIZZ 1/4-20 STL ZP |
| 6 | 713002 | 2 | BLT-HH 1/4-20 X .75 #5 ZINC |
| 7 | 713043 | 2 | BLT-HH 3/8-16 X 1.25 #5 |
| 8 | 3300368 | 1 | PULLEY-PLASTIC 2" x .25" GROOVE |
| 9 | 3307642 | 1 | CLEVIS-5/16 PLTD SW/A |
| 10 | 3307794 | 1 | PIN-CLEVIS 1/2 X 4-1/2 ZP |
| 11 | 3317214 | 1 | MNT-DUAL CURB BROOM PNTD |
| 12 | 3319421 | 1 | ASSY-DUAL CURB BROOM (SEE DETAIL ON FOLLOWING PAGES) |
| 13 | 3332713 | 1 | SWITCH-DOUBLE SCRUB BROOM |
| 14 | 3334946 | 1 | CABLE-SIDE BROOM, 33" LG, 1/8"D |
| 15 | 3335420 | 1 | ASSY- SIDE BROOM LIFT LH |
| 16 | 3335422 | 1 | WELD-PULLEY LH SIDE BROOM |
| 17 | 3342273 | 1 | COVER-SWITCH, CARLING, BLACK W/LENS |
| 18 | 3343539 | 1 | CLAMP-P TYPE, 2 DIA |
| 19 | 3400035 | 1 | SCR-HEX,5/16-18X1.00 ZP |
| 20 | 3400069 | 1 | NUT-HEX 5/16-24 ZP |
| 21 | 3400075 | 1 | NUT-HEX JAM 3/8-24 ZP |
| 22 | 3400086 | 1 | WASHER-FLAT 1/2 STANDARD ZP |
| 23 | 3400087 | 1 | WASHER-FLAT 3/8 STANDARD ZP |
| 24 | 3400088 | 2 | WASHER-FLAT 5/16 IDx.688 ODx.065 THK |
| 25 | 3400089 | 1 | WASHER-FLAT 1/4 STANDARD ZP |
| 26 | 3400118 | 1 | PIN-CLEVIS 5/16x7/8 ZP |
| 27 | 3400124 | 1 | PIN-COTTER 5/8 RUE-RING |
| 28 | 3400125 | 2 | RING-RUE 3/8 COTTER PIN |
| 29 | 3400184 | 1 | PIN-CLEVIS 5/16 X 1-1/8 ZP |
| 30 | 3400227 | 1 | SCR-HEX,1/4-20X1.25 ZP |
| 31 | 3400999 | 1 | CLAMP-HOSE 1-1/8" DIA STEEL VINYL COATE |
| 32 | 3317219P | 1 | HARNES-DUAL CURB BRM, 9X |
| - | 3317231M | 1 | HOPPER, 9X, DUAL C-BRM & FILTER, ORANGE (OPTION 3333918 ONLY) |
| - | 675427 | 1 | HOSE-LH CB MTR IN TO RT CB OUT 170" (NOT SHOWN) |
| - | 675428 | 1 | HOSE-LH CB MTR OUT TO IMP TEE 100" (NOT SHOWN) |
| - | 690262 | 1 | DECAL, LEFT SIDE CURB BROOM - 9X (NOT SHOWN) |
| - | | | |

DUAL CURB BROOM SUB-ASSEMBLY (3319421)
INCLUDED IN OPTIONS 3332177, 3338666 AND 3333918



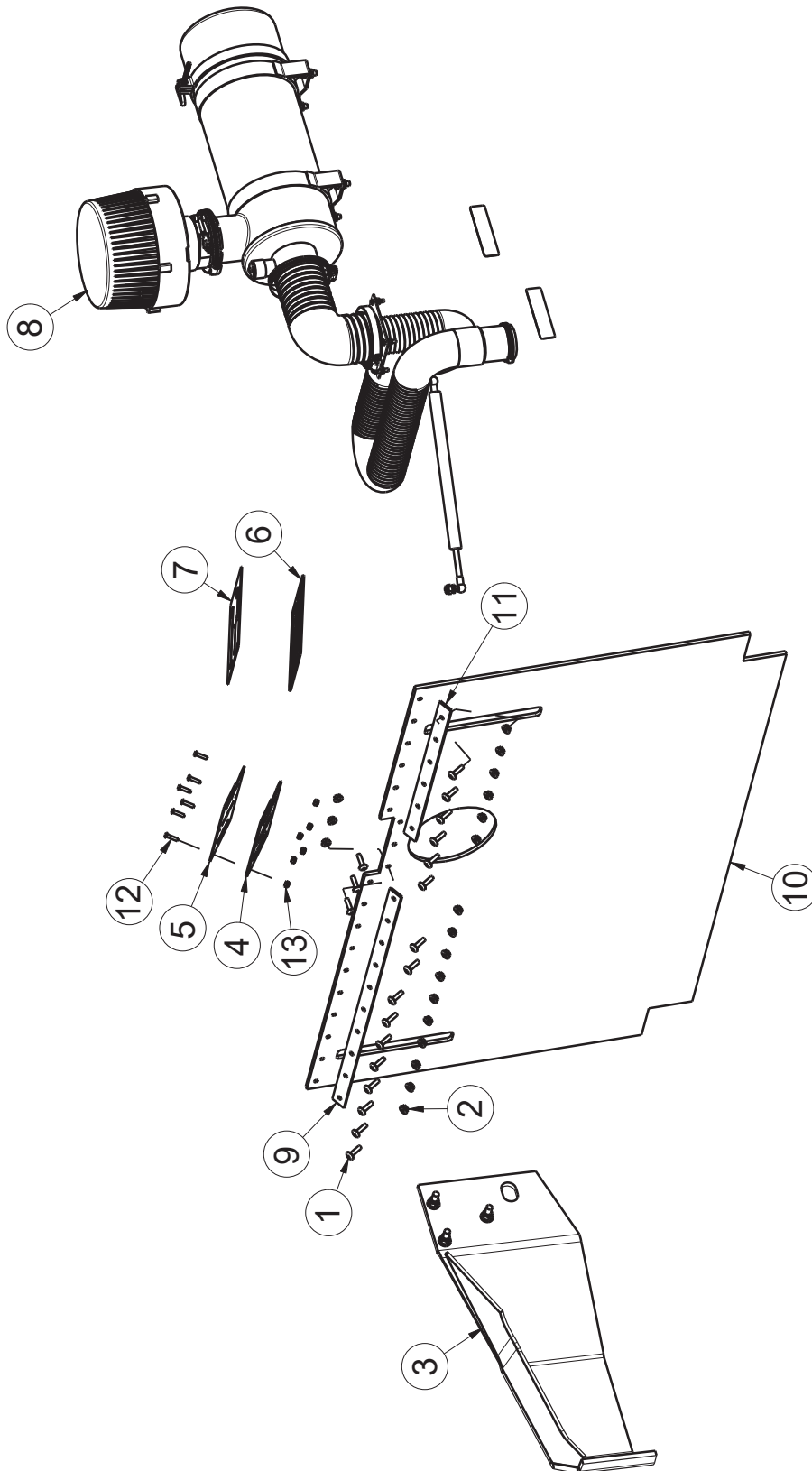
| DUAL CURB BROOM SUB-ASSEMBLY (3319421) | | | |
|---|-----------------|--------------|--|
| ITEM | PART NO. | REQ'D | DESCRIPTION |
| 1 | 3302599 | 1 | SPRING-EXT LOOPS-IN-LINE ZP |
| 3 | 3301262 | 1 | PLATE-GIMBAL SC HD |
| 4 | 3306179 | 1 | SPRING-COMPRESSION, CURB BROOM |
| 5 | 3309778 | 1 | LH CURB BROOM ARM PNTD |
| 6 | 3309782 | 1 | LH SIDE BROOM MOUNT PNTD |
| 7 | 3316897 | 1 | MOTOR-HYD CURB BRM |
| 8 | 3330338 | 1 | KEY-SHAFT D-FOSS CB/MB/SC MTRS (REPLACEMENT) |
| 9 | 711250 | 1 | SCR-HH 3/8-16 X 1.25 ZP GR 5 |
| 10 | 3400030 | 4 | SCR-HEX,3/8-16X1.00, GRADE 5, ZP |
| 11 | 3400049 | 1 | SCR-SOCKET HEAD,1/4-20X0.75 ZP NYLOCK |
| 12 | 3400068 | 1 | NUT-HEX 3/8-16 ZP |
| 13 | 3400087 | 1 | WASHER-FLAT 3/8 STANDARD ZP |
| 14 | 3400101 | 4 | WASHER-LOCK 3/8 SPLIT ZP |
| 15 | 3400103 | 1 | WASHER-LOCK 1/4 SPLIT ZP |
| 16 | 675528 | 2 | FTG-STR THD ELBOW -8 ORFS TO -10 SAE |
| 17 | 3400258 | 1 | SCR-HEX,3/8-24X4.00 ZP |
| 18 | 3400342 | 1 | NUT-HEX 3/8-24 ES ZP |
| 19 | 3300875 | 1 | DRIVE HUB SC BR |
| 20 | 3302058 | 1 | BAR-CURB BROOM RETAINER |
| 21 | 3400027 | 3 | SCR-HEX,3/8-16X1.75 ZP |
| 22 | 3400278 | 9 | WASHER-FENDER 3/8 |
| 23 | 3300465 | 3 | ISOLATOR-RUBBER (.375IDx.81OD) |
| 24 | 3400087 | 3 | WASHER-FLAT 3/8 STANDARD ZP |
| 25 | 711380 | 3 | NUT-NYLOC 3/8-16 |
| 26 | 3300526 | 3 | BUMPER-RUBBER 1/4IDx1/8 THK |
| 27 | 713002 | 2 | BLT-HH 1/4-20 X .75 #5 ZINC |
| 28 | 711373 | 2 | NUT-NYLOC 1/4-20 |

SIDE BROOM LIFT LH (3335420)
INCLUDED IN OPTION 3338666



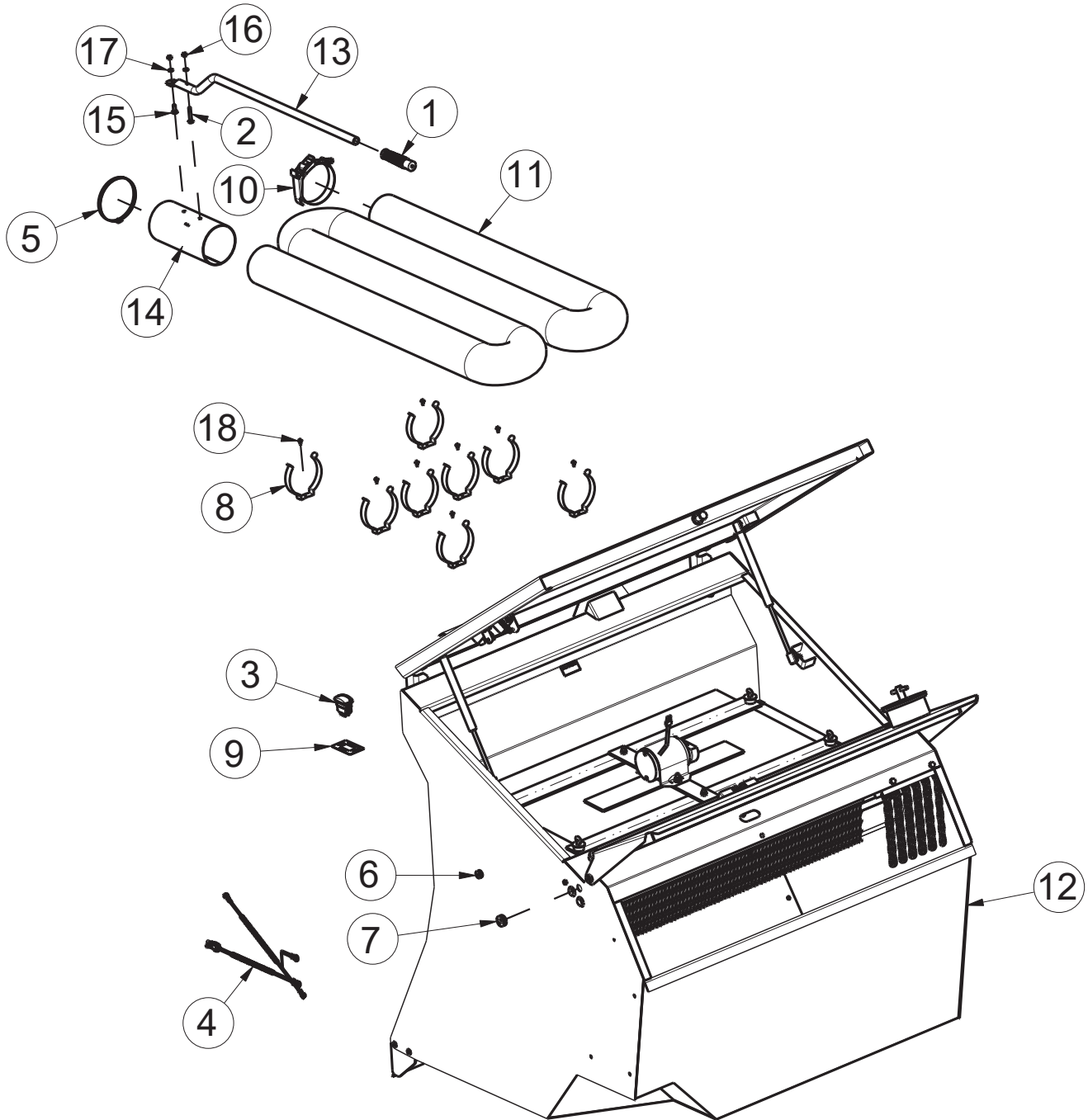
| SIDE BROOM LIFT LH (3335420) | | | |
|------------------------------|----------|-------|--|
| ITEM | PART NO. | REQ'D | DESCRIPTION |
| 1 | 711374 | 1 | NUT -NYLOC 5 /16-18 |
| 2 | 711387 | 1 | NUT -NYLOC 1/4-20 112 NUT |
| 3 | 711569 | 1 | WASHER-FLAT .390 X .880 X .062 NYL |
| 4 | 712333 | 1 | WASHER-FLAT 5/16 SS |
| 5 | 713104 | 1 | BUSHING, SLEEVE, 3/8 |
| 6 | 713107 | 1 | GRD 9 ZP |
| 7 | 3300431 | 2 | BUSHING-.499 ID X . 594 DD C X. 250 |
| 8 | 3300461 | 1 | BALL JOINT |
| 9 | 3318884 | 1 | ADAPTER -CURB BRM ACTUATOR |
| 10 | 3318887 | 1 | PIN-CLEVIS 1/4 X 1-1/ 8 |
| 11 | 3335273 | 2 | SPACER -.32 ID X .499 DD x .31 LG |
| 12 | 3335274 | 4 | SPACER -.28 ID X . 625 DD x . 26 LG |
| 13 | 3335275 | 1 | PLATE-SUPPORT SB LIFT |
| 14 | 3335372 | 1 | MOUNT - PIVOT SIDE BROOM |
| 15 | 3335373 | 1 | PLATE - PIVOT SIDE BROOM |
| 16 | 3336595 | 1 | ACTUATOR-DUAL BROOM- 12VDC WEATHERPACK |
| 17 | 3400041 | 3 | SCREW -HHM 1/4-20 X . 875 LG ZP |
| 18 | 3400081 | 5 | NUT -HE X 1/4-20 ES ZP |
| 19 | 3400087 | 2 | WASHER-FLAT 3/8 ZP |
| 20 | 3400088 | 1 | WASHER-FLAT 5/16 X.688 X .065 ZP |
| 21 | 3400089 | 9 | WASHER-FLAT 1/4 ZP |
| 22 | 3400173 | 1 | SCREW -HHM 1/4-20 X 1.75 LG ZP |
| 23 | 3400178 | 2 | BEARING-THRUST .531 ID X 1.00 DD |
| 24 | 3400342 | 1 | NUT -HEX 3/8-24 ES ZP |
| 25 | 3400742 | 1 | RUE RING-1/4 HEAVY ZP |
| 26 | 3401098 | 1 | NUT -HEX JAM 5/16-18 ES ZP |
| 28 | 3401440 | 1 | 5/16-18 X 1.25 LG ZP |
| 29 | 3401983 | 2 | SCREW BH 1/4-20 X 1.25 LG |

OPT - EXTREME ENVIRONMENT DUST COVER (3334437)



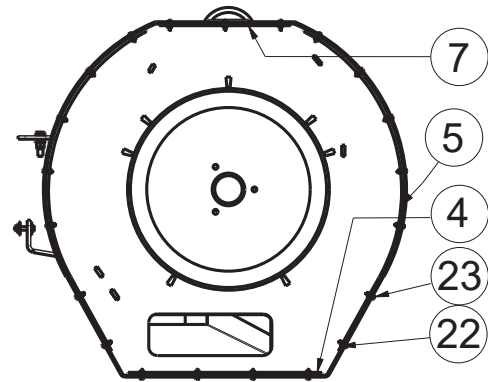
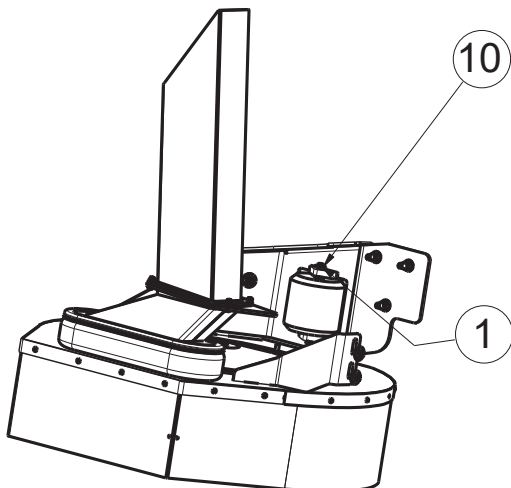
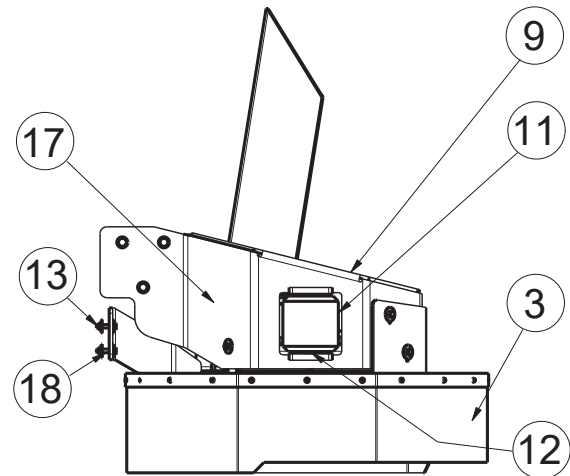
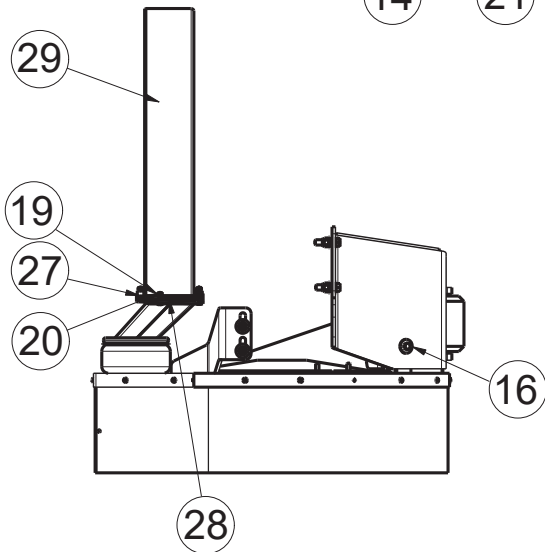
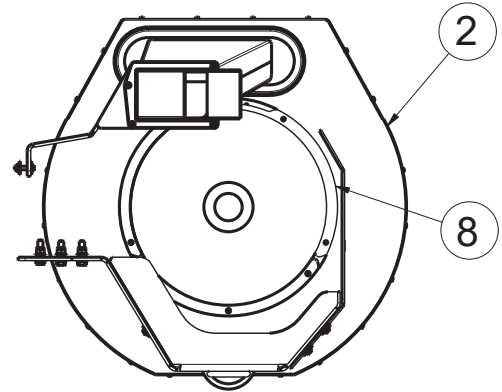
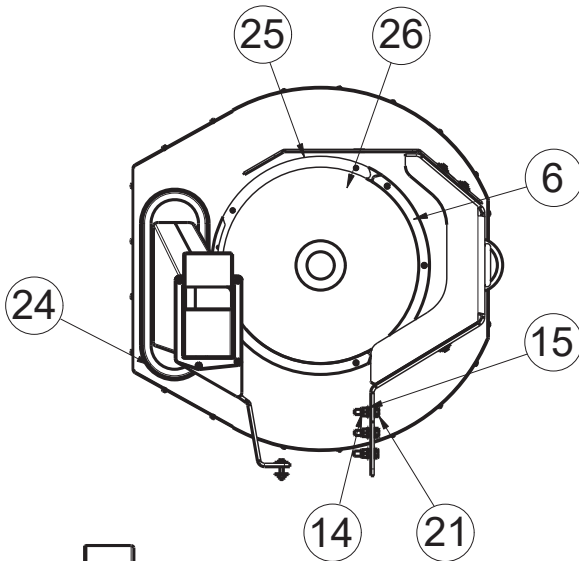
| OPT - EXTREME ENVIRONMENT DUST COVER (3334437) | | | |
|---|-----------------|--------------|-----------------------------------|
| ITEM | PART NO. | REQ'D | DESCRIPTION |
| 1 | 710182 | 19 | SCR-THMS 1/4-20 X 1.00 ZP |
| 2 | 711425 | 19 | NUT-FLANGED WIZZ 1/4-20 ZP |
| 3 | 3317302 | 1 | OPT-HD CURB BROOM,RIGHT |
| 4 | 3322615 | 1 | PLT-SOUND SEAL RET CONT VALVE |
| 5 | 3322616 | 1 | SOUND SEAL-ARMA CONTROL VALVE |
| 6 | 3322682 | 1 | PLATE-SND SEAL RET BRM LIFT LVRS |
| 7 | 3322683 | 1 | SEAL-SOUND ARMA BRM LIFT LEVER |
| 8 | 3331034 | 1 | OPT-AIR CLEANER,HEAVY DUTY |
| 9 | 3334432 | 1 | BAR-SUPPORT LONG LINTEL COVER 9X |
| 10 | 3334434 | 1 | EXTREME ENVIRONMENT DUST COVER 9X |
| 11 | 3337843 | 1 | BAR-MID SUPPORT LINTEL COVER 9X |
| 12 | 3400044 | 6 | SCR-HH 10-32 X .75 ZP SERR FLANGE |
| 13 | 3400172 | 6 | NUT-JAM 10-32 ZP NYLOC |

OPT - VACUUM WAND, 4" ORANGE (3334787)



| OPT - VACUUM WAND, 4" ORANGE (3334787) | | | |
|--|----------|-------|---|
| ITEM | PART NO. | REQ'D | DESCRIPTION |
| 1 | 78-71-A | 1 | GRIP-HANDLE BLACK |
| 2 | 712571 | 1 | BLT-CARR 1/4-20 X 1.50 SS |
| 3 | 748157 | 1 | SWITCH, CONTURA ROCKER, DPDT, MOMENTARY |
| 4 | 748736 | 1 | HARNESS ASSY, DOOR TO ACTUATOR VAC WAND |
| 5 | 3300351 | 1 | CLAMP-HOSE, 4.5" DIA, SS |
| 6 | 3301665 | 1 | GROMMET-RUBBER, 1/8" PANEL THK, 3/8" ID |
| 7 | 3311564 | 1 | GROMMET-RUBBER, 1/2 ID |
| 8 | 3334486 | 8 | CLIP-VAC HOSE SW/A, 3-1/2"- 4" RANGE |
| 9 | 3334501 | 1 | DECAL-VACUUM DOOR SW/A |
| 10 | 3334513 | 1 | CLAMP-HOSE 4.25" OVER-CENTER |
| 11 | 3334592 | 1 | HOSE-VAC WAND NEW 4.0" ID |
| 12 | 3334810 | 1 | ASSY- HOPPER SW/9 4" VACUUM |
| 13 | 3339586 | 1 | HANDLE-VAC WAND |
| 14 | 3339684 | 1 | TUBE-VAC WAND LITTERBOSS 4-1/8 OD |
| 15 | 3400010 | 1 | SCR-CAR, 1/4-20 x 0.75 GR 5 ZP |
| 16 | 3400071 | 2 | NUT-HEX 1/4-20 ZP GR 5 |
| 17 | 3400103 | 2 | WASHER-LOCK 1/4 SPLIT ZP |
| 18 | 3400825 | 8 | SCR-SLT HX WSH HD #10 X 1/2 ZP |

OPT - VACUUMIZED SIDE BROOM (3338470)

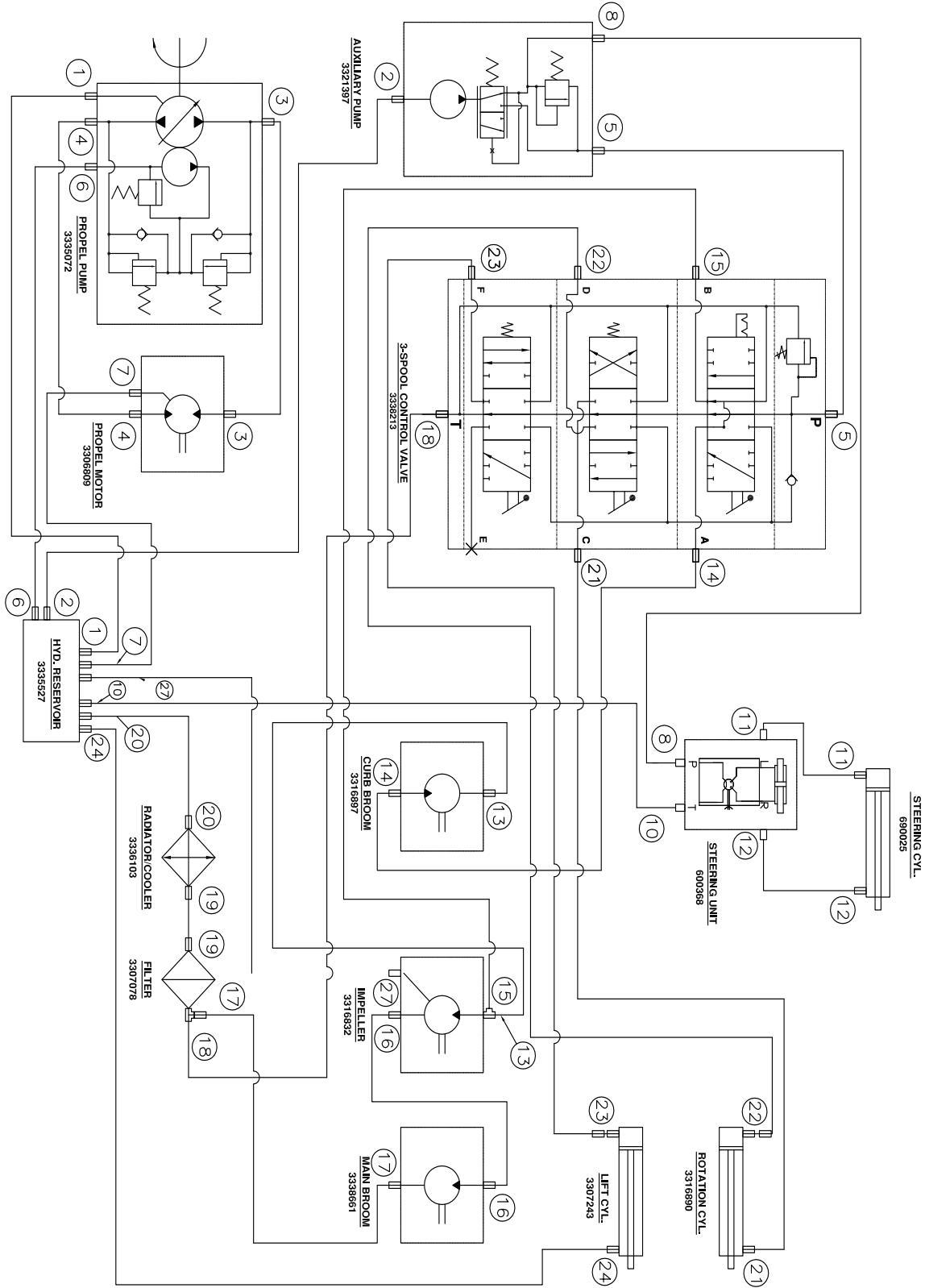


| OPT - VACUUMIZED SIDE BROOM (3338470) | | | |
|---------------------------------------|----------|-------|--|
| ITEM | PART NO. | REQ'D | DESCRIPTION |
| 1 | 711713 | 2 | RET RING-E EXT .50 |
| 2 | 3338461 | 1 | WDT - VACUUM CB BASE 26" |
| 3 | 3338464 | 1 | RUBBER SKIRT 26" |
| 4 | 3338465 | 1 | END BRACKET |
| 5 | 3338466 | 2 | SIDE BRACKET |
| 6 | 3338474 | 1 | METAL MOUNTING BRACKET RUBBER DISC |
| 7 | 3338486 | 1 | INNER MNTING BRACKET-OUTER 26" |
| 8 | 3338633 | 2 | METAL MNTING BRCKT RBBR DISC (INBRD SIDE |
| 9 | 3338663 | 1 | WDT - HD CB GUARD W/ MNT ROLLER |
| 10 | 3341052 | 1 | PIN-BUMPER GUARD |
| 11 | 3341053 | 1 | ROLL-BUMPER GUARD |
| 12 | 3341054 | 2 | SPACER-BUMPER GUARD |
| 13 | 711425 | 5 | NUT-FLANGED WIZZ 1/4-20 ZP |
| 14 | 711380 | 3 | NUT-NYLOC 3/8-16 ZP |
| 15 | 3400087 | 6 | WASHER-FLAT 3/8 ZP |
| 16 | 3400090 | 10 | WASHER-FENDER 1/4 X 1.00 ZP |
| 17 | 3400095 | 4 | WASHER-FLAT #10 ZP |
| 18 | 3400227 | 5 | SCR-HH 1/4-20 X 1.25 ZP GR 5 |
| 19 | 3400399 | 4 | NUT-NYLOC 10-24 SS |
| 20 | 3400448 | 4 | SCR-HEX,#10-24XO.75 18-8 SS |
| 21 | 3400455 | 3 | SCR-HH 3/8-16 X 1.50 SS |
| 22 | 3401674 | 21 | NUT, CLIP-ON, 8-32, BLACK PHOSPHATE |
| 23 | 3401676 | 21 | SCREW, PPH THRD FORM 8-32 X 5/8 ZP |
| 24 | 25583220 | 1 | EDGE PROTECTION (ORDER IN METERS) |
| 25 | 90542952 | 1 | RUBBER DISC UPPER |
| 26 | 90545757 | 1 | RUBBER DISC LOWER |
| 27 | 90546136 | 1 | THREADED FLANGE |
| 28 | 90546144 | 1 | GASKET |
| 29 | 96119607 | 1 | SUCTION PIPE |

MISCELLANEOUS OPTIONS

| | |
|---------|--|
| 690135 | OPT-9X/10X DUST SUPPRESSION, SINGLE |
| 690136 | OPT-9X DUST SUPPRESSION, DUAL |
| 690231 | OPT-HOPPER PRESSURE BYPASS - 9X |
| 690365 | OPT-REAR MNT AIR COND - 9X |
| 3302496 | OPT-FAN,CAB |
| 3302649 | TANK-LP 33 LBS. |
| 3316405 | OPT-MIRROR,SS UNIV MNT |
| 3317262 | OPT-TIRE,3 NONMARKING (3336655) |
| 3317278 | OPT-LIGHT,TURN 4-WAY FLASH |
| 3317283 | OPT-ENGINE SHUT DOWN DSL |
| 3317285 | OPT-LIGHT, TURN, 4-WAY FLASH, BACK-UP LT |
| 3317303 | OPT-LIGHT,BRAKE LIGHT |
| 3317304 | OPT-FILTER SHAKER, TIMED |
| 3317305 | OPT-INDICATOR ,CLOG FILTER |
| 3317335 | OPT-TIRE,3 SOFT SHOE |
| 3318223 | OPT-BLOWER ATTACHMENT |
| 3319645 | OPT-TIRE,2 SOFT SHOE,1 PNUEMATC |
| 3330269 | OPT-CAB, PRESSURIZER ERGO |
| 3330844 | OPT-CAB, ERGO |
| 3332177 | OPT-CURB BROOM,DUAL |
| 3334119 | OPT-LIGHT MNT 9X ARMA |
| 3334252 | OPT-CAB,SOFT (<i>REPLACEMENT ADHESIVE SNAPS - 3400412</i>) |
| 3334606 | OPT-RHINO LINING- HOPPER AND LID ORANGE |
| 3336608 | OPT- RHINO LINING-MAIN BROOM DOORS |
| 3340003 | OPT-REMOTE OIL FILTER (9X) |

HYDRAULIC SCHEMATIC 9X

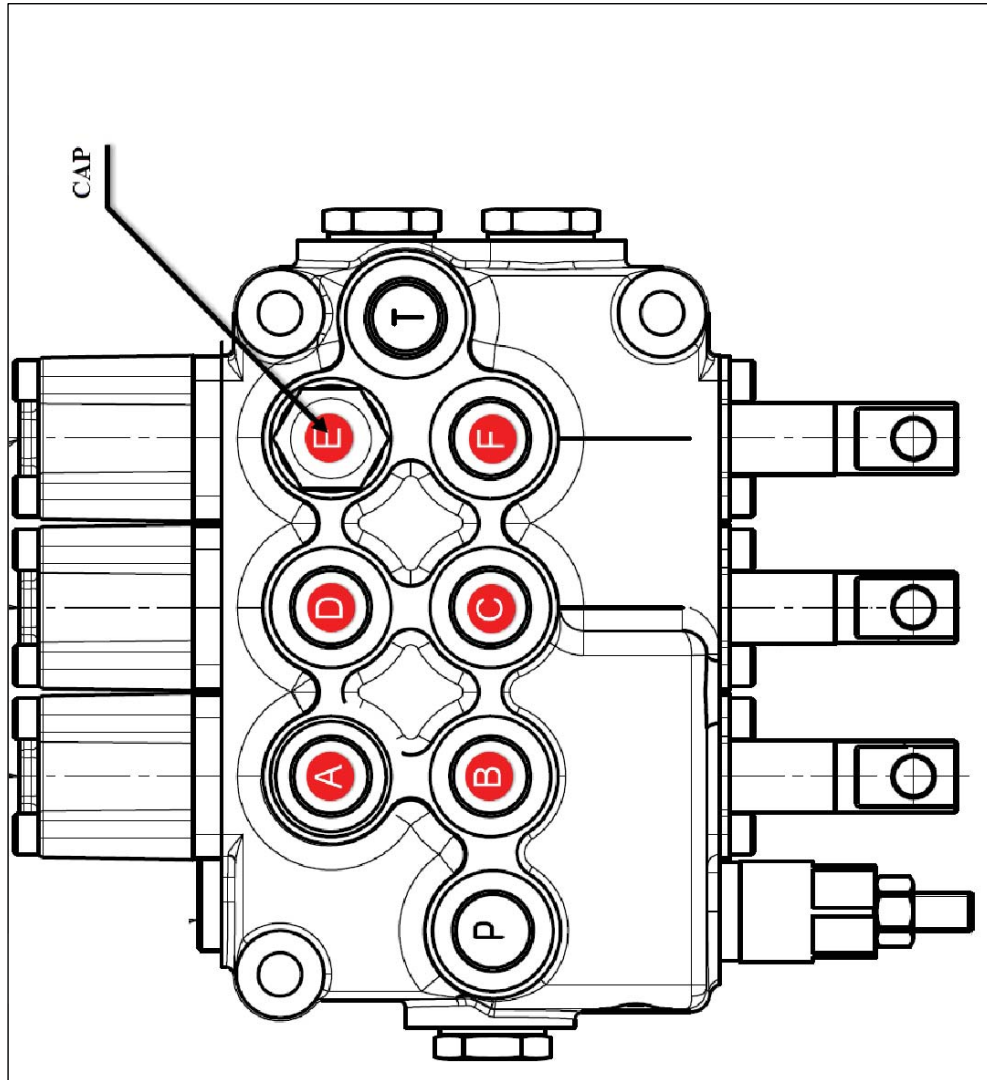


3334846, Sheet 1 of 3, Rev B, 05/2016

| Adapter Assignment | | | | | | | | | | | | | | | | | |
|--------------------|-----------------|-------------|-----------------|------|----------|----------|--------|----------|------------|---------|---------|--------|---------|--------|-----------|--------------|--|
| No. | Adapter 1 | hose assy # | Adapter 2 | RESV | HYD PUMP | AUX PUMP | RW MTR | CONV MTR | CONT VALVE | PS UNIT | ROT ACT | CB MTR | IMP MTR | MB MTR | FILTERRAD | ROT LIFT CYL | Comments: |
| 1 | 675524 | 675400 | 675527 | 1 | 2 | | | | | | | | | | | | Reservoir to Propel pump inlet. |
| 2 | 675506 | 675401 | 675505 | 1 | | 2 | | | | | | | | | | | Reservoir to Aux pump inlet. |
| 3 | 675500 | 675402 | 675501 | | 1 | | 2 | | | | | | | | | | Propel pump drivers side to Propel motor port A. |
| 4 | 675501 | 675403 | 675502 | | 2 | | 1 | | | | | | | | | | Propel motor port B to Propel pump passenger side. |
| 5 | 675528 | 675404 | 675524 | | 1 | | 2 | | | | | | | | | | Aux pump to 3-spool control valve port IN. |
| 6 | 675520 | 675405 | 675521 | 2 | 1 | | | | | | | | | | | | Propel pump to reservoir. |
| 7 | 675508 | 675406 | 675510 | 2 | | 1 | | | | | | | | | | | Propel motor to reservoir, case drain. |
| 8 | 675512 | 675407 | 675511 | | 1 | | | 2 | | | | | | | | | Aux pump to Steering unit port P. |
| 9 | | | | | | | | | | | | | | | | | |
| 10 | 675552 | 675409 | 675519 | | | | | 1 | | | | | | | | | Steering unit to reservoir. |
| 11 | 675552 | 675410 | 675518 | | | | | 1 | 2 | | | | | | | | Steering unit L port to port P1 on steering cylinder. |
| 12 | 675515 | 675411 | 675518 | | | | | 1 | 2 | | | | | | | | Steering unit R port to port P2 on steering cylinder. |
| 13 | | 675412 | 675528 | | | | | | | 1 | 2 | | | | | | Inlet tee to curb broom out. |
| 14 | 675524 | 675413 | 675528 | | | | | 2 | | | 1 | | | | | | Valve port A to curb motor inlet port A. |
| 15 | 675524 | 675414 | 675525 | | | | | 1 | | | | 2 | | | | | Control valve outlet to Impeller inlet tee. See hose 13 for details. |
| 16 | 675523 | 675415 | 675523 | | | | | | | | | 1 | 2 | | | | From impeller out port to Main broom in port A. |
| 17 | 675523 | 675416 | 675529 / 675526 | | | | | | | | | | 1 | 2 | | | From main broom outlet Port B to filler inlet. |
| 18 | 675524 | 675417 | | | | | | 1 | | | | | | 2 | | | From T port on control valve to filter inlet tee. See hose 17. |
| 19 | 675537 | 675418 | 675530 | | | | | | | | | | | 1 | 2 | | From filter outlet to Cooler inlet (top of cooler pack). |
| 20 | 675503 | 675419 | 675503 | | 2 | | | | | | | | | | 1 | | From cooler outlet (bottom of cooler) to reservoir. |
| 21 | 675513 | 675420 | 675507 | | | | | 1 | | | | | | | | 2 | From control valve port C to rod end of rotate cylinder. |
| 22 | 675507 / 675547 | 675421 | 675513 | | | | | 2 | | | | | | | | 1 | From piston end of rotate cylinder to control valve port D. |
| 23 | 675518 / 675550 | 675422 | 675513 | | | | | 2 | | | | | | | | | From piston end of lift cylinder to control valve port F. |
| 24 | 675518 | 675423 | 675510 | | 2 | | | | | | | | | | | | From rod end of lift cylinder to reservoir. |
| 27 | 675508 | 675426 | 675510 | | | | | | | | | | 1 | | | | From impeller case drain to reservoir. |

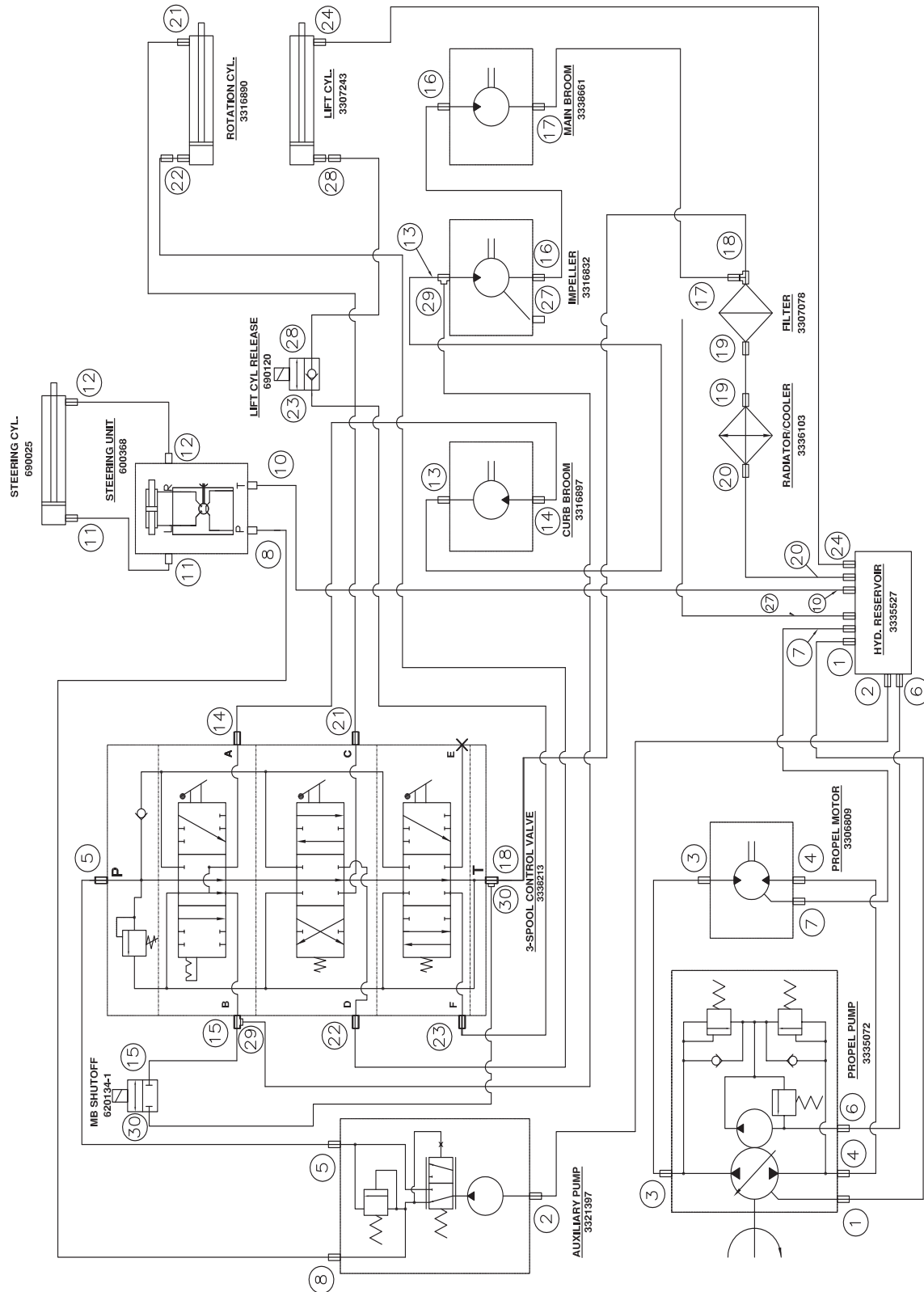
3334846, Sheet 2 of 3, Rev B, 05/2016

PORT LOCATIONS ON VALVE
BODY 3338213 ARE AS SHOWN



3334846, Sheet 3 of 3, Rev B, 05/2016

HYDRAULIC SCHEMATIC 9X CE

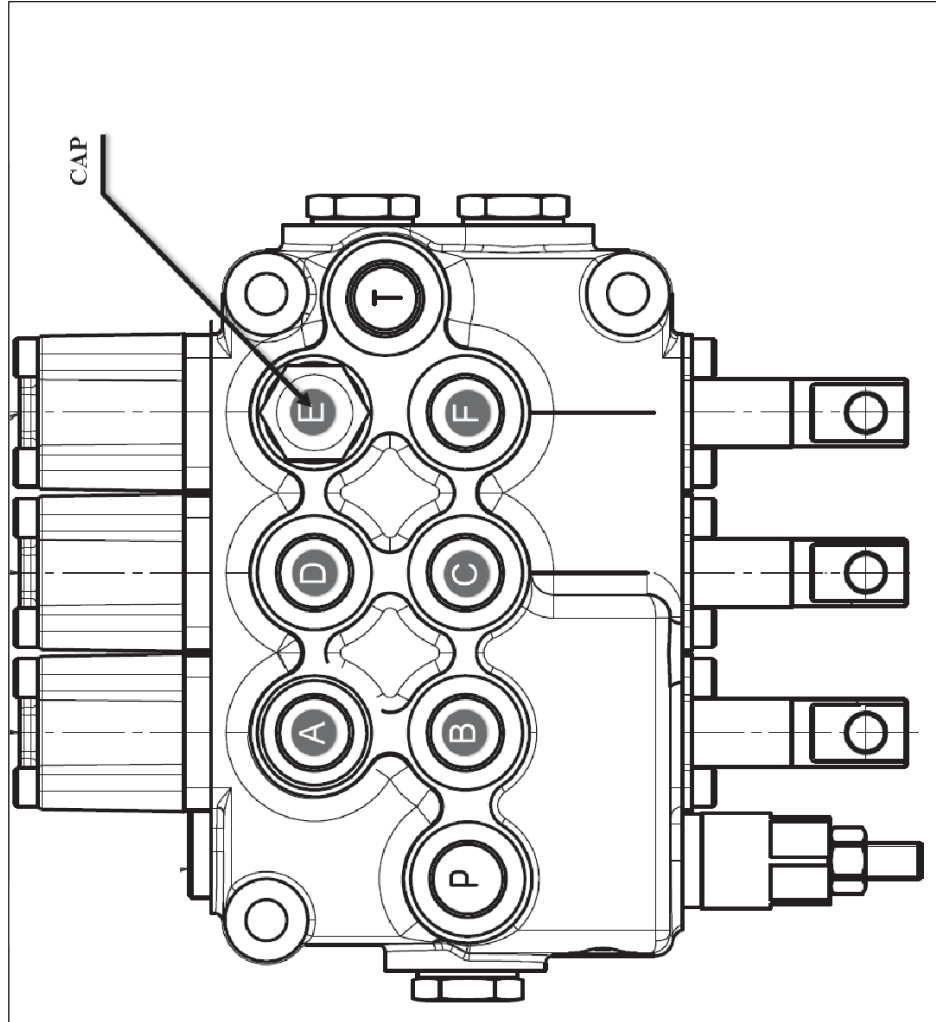


3334846-CE, Rev A, 05/2016, Sheet 1 of 3

| No. | Adapter 1 | hose assy # | Adapter 2 | Adapter Assignment | | | | | | | | | | | | Comments: | | |
|-----|-----------------|-------------|---------------|--------------------|----------|----------|---------|----------|----------|---------|--------|---------|--------|--------|-----|-----------|---------|--|
| | | | | RESV | HYD PUMP | AUX PUMP | RW PUMP | CONT MTR | PS VALVE | PS UNIT | CB MTR | IMP MTR | MB MTR | FILTER | RAD | | ROT CYL | LIFT CYL |
| 1 | 675524 | 675400 | 675527 | 1 | 2 | | | | | | | | | | | | | Reservoir to Propel pump inlet. |
| 2 | 675506 | 675401 | 675505 | 1 | | 2 | | | | | | | | | | | | Reservoir to Aux pump inlet. |
| 3 | 675500 | 675402 | 675501 | | 1 | | 2 | | | | | | | | | | | Propel pump drivers side to Propel motor port A. |
| 4 | 675501 | 675403 | 675502 | | 2 | | 1 | | | | | | | | | | | Propel motor port B to Propel pump passenger side. |
| 5 | 675528 | 675404 | 675524 | | 1 | | 2 | | | | | | | | | | | Aux pump to 3-spool control vavle port IN. |
| 6 | 675520 | 675405 | 675521 | 2 | 1 | | | | | | | | | | | | | Propel pump to reservoir. |
| 7 | 675508 | 675406 | 675510 | 2 | | 1 | | | | | | | | | | | | Propel motor to reservoir, case drain. |
| 8 | 675512 | 675407 | 675511 | | | 1 | | 2 | | | | | | | | | | Aux pump to Steering unit port P. |
| 9 | | | | | | | | | | | | | | | | | | |
| 10 | 675552 | 675409 | 675519 | 2 | | | | 1 | | | | | | | | | | Steering unit to reservoir. |
| 11 | 675552 | 675410 | 675518 | | | | | 1 | 2 | | | | | | | | | Steering unit L port to port P1 on steering cylinder. |
| 12 | 675515 | 675411 | 675518 | | | | | 1 | 2 | | | | | | | | | Steering unit R port to port P2 on steering cylinder. |
| 13 | 675524 | 675412 | 675528 | | | | | 1 | 2 | | | | | | | | | Inlet tee to curb broom out. |
| 14 | 675524 | 675413 | 675528 | | | | | 1 | 2 | | | | | | | | | Valve port A to curb motor inlet port A. |
| 15 | 675525 | 675414 | 675524 | | | | | 1 | | | | | | | | | | From control valve port B to MB shutoff valve port 2. |
| 16 | 675523 | 675415 | 675523 | | | | | 1 | 2 | | | | | | | | | From impeller out port to Main broom in port A. |
| 17 | 675523 | 675416 | 675529 | | | | | | | 1 | 2 | | | | | | | From main broom outlet Port B to filter inlet. |
| 18 | 675525 | 675417 | 675526 | | | | | | | 1 | 2 | | | | | | | From T port on control valve to filter inlet tee. See hose 17. |
| 19 | 675537 | 675418 | 675530 | | | | | | | | 1 | 2 | | | | | | From filter outlet to Cooler inlet (top of cooler pack). |
| 20 | 675503 | 675419 | 675503 | 2 | | | | | | | | 1 | 2 | | | | | From cooler outlet (bottom of cooler) to reservoir. |
| 21 | 675513 | 675420 | 675507 | | | | | 1 | | | | | 2 | | | | | From control valve port C to rod end of rotate cylinder. |
| 22 | 675507 / 675547 | 675421 | 675513 | | | | | 2 | | | | | 1 | | | | | From piston end of rotate cylinder to control valve port D. |
| 23 | 675513 | 675422 | 675517 | | | | | 1 | | | | | | | | | | From control valve port F to 690120 lift cyl release port 1. |
| 24 | 675518 | 675423 | 675510 | 2 | | | | | | | | | | 1 | | | | From rod end of lift cylinder to reservoir. |
| 27 | 675508 | 675426 | 675510 | 2 | | | | | | 1 | | | | | | | | From impeller case drain to reservoir. |
| 28 | 675508 | 675422 | 675518/675550 | 2 | | | | | | | | | | | | | | From port 2 of 690120 lift cyl release valve to lift cyl rod end port. |
| 29 | 675525 | 675414 | 675525 | | | | | 1 | | | | | | | | | | From control valve port B to impeller motor inlet tee. |
| 30 | 675524 | 675414 | 675525 | | | | | 2 | | | | | | | | | | From port 1 of MB shutoff to control valve port T. |

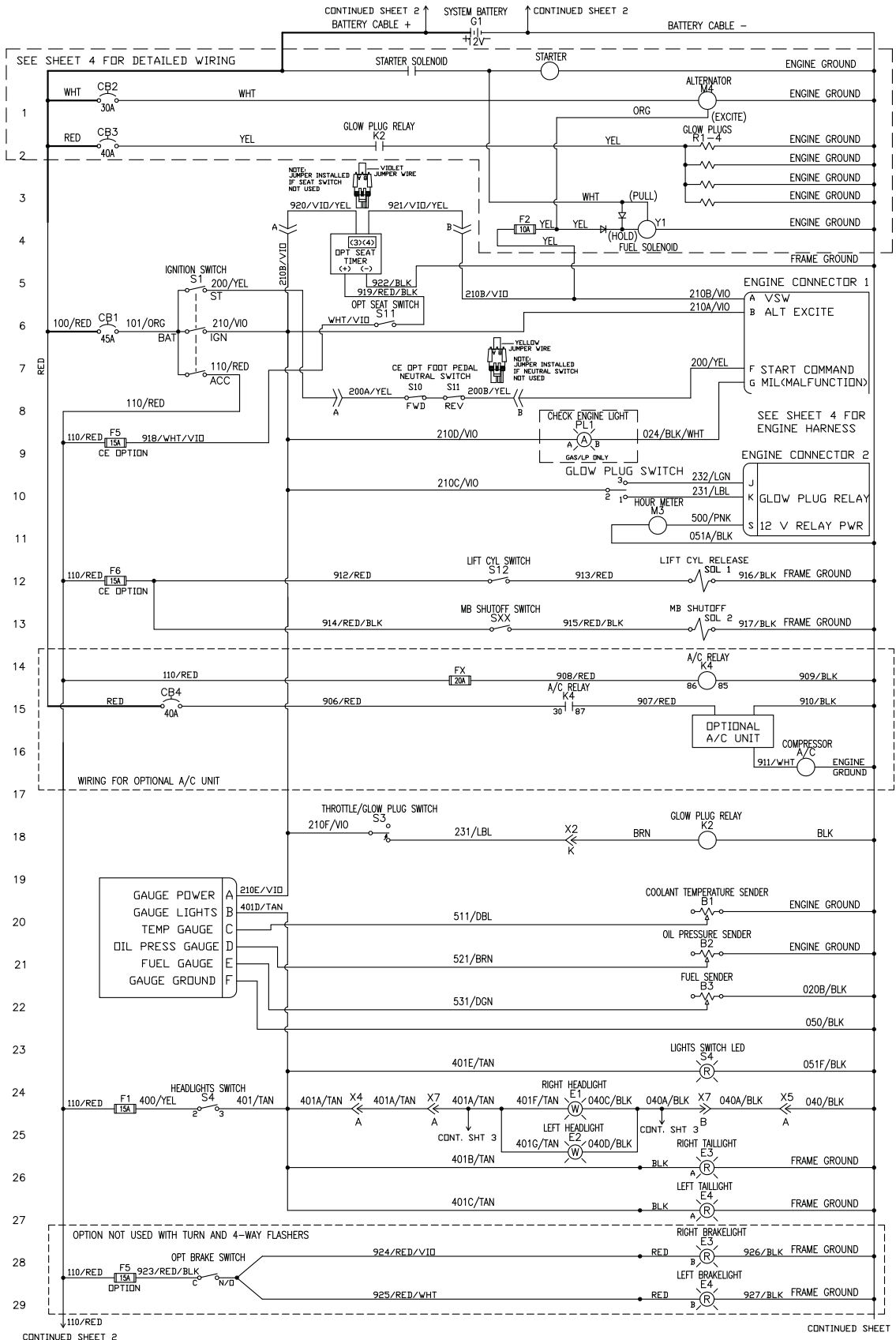
3334846-CE, Rev A, 05/2016, Sheet 2 of 3

PORT LOCATIONS ON VALVE
BODY 3338213 ARE AS SHOWN

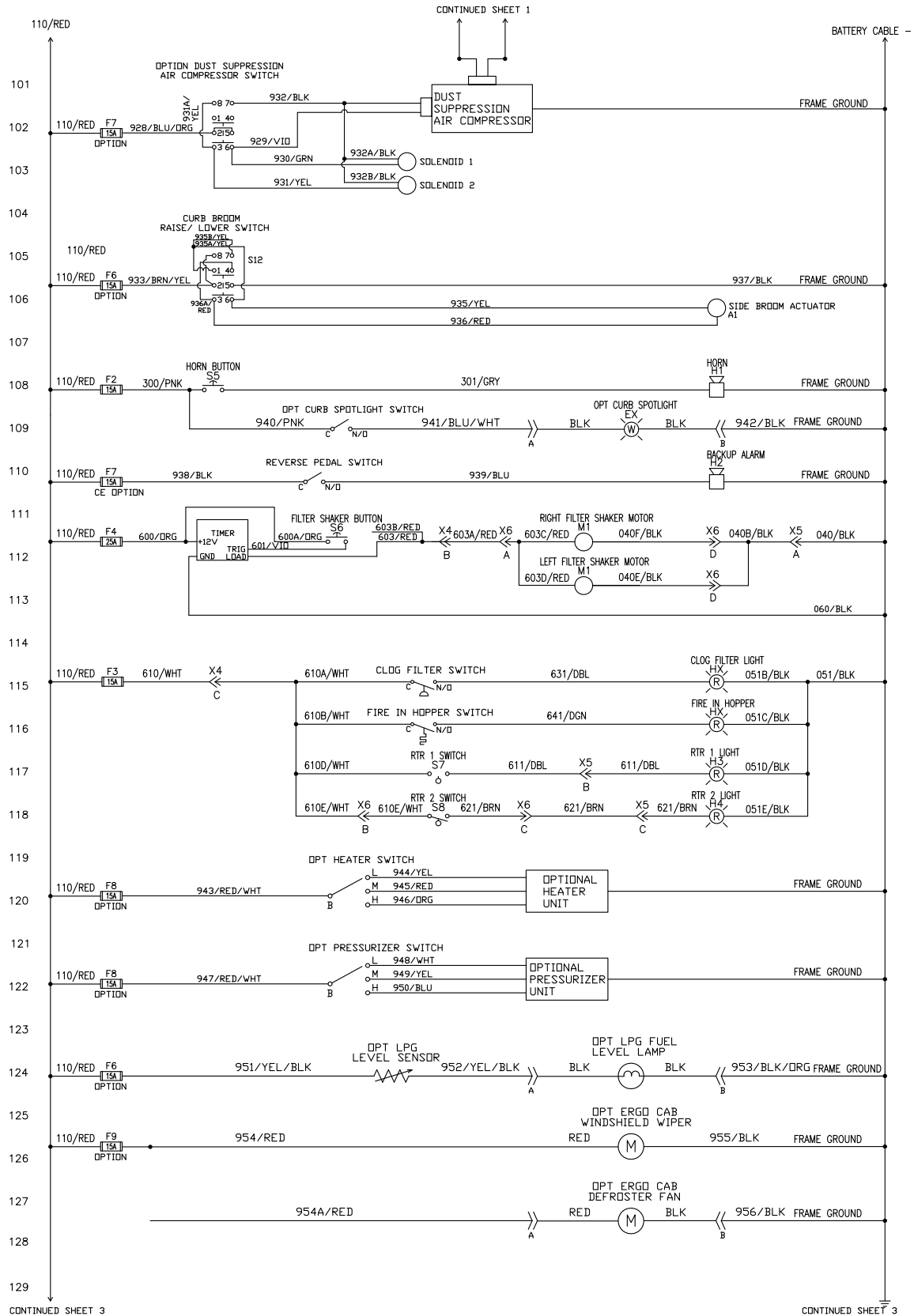


3334846-CE, Rev A, 05/2016, Sheet 1 of 3

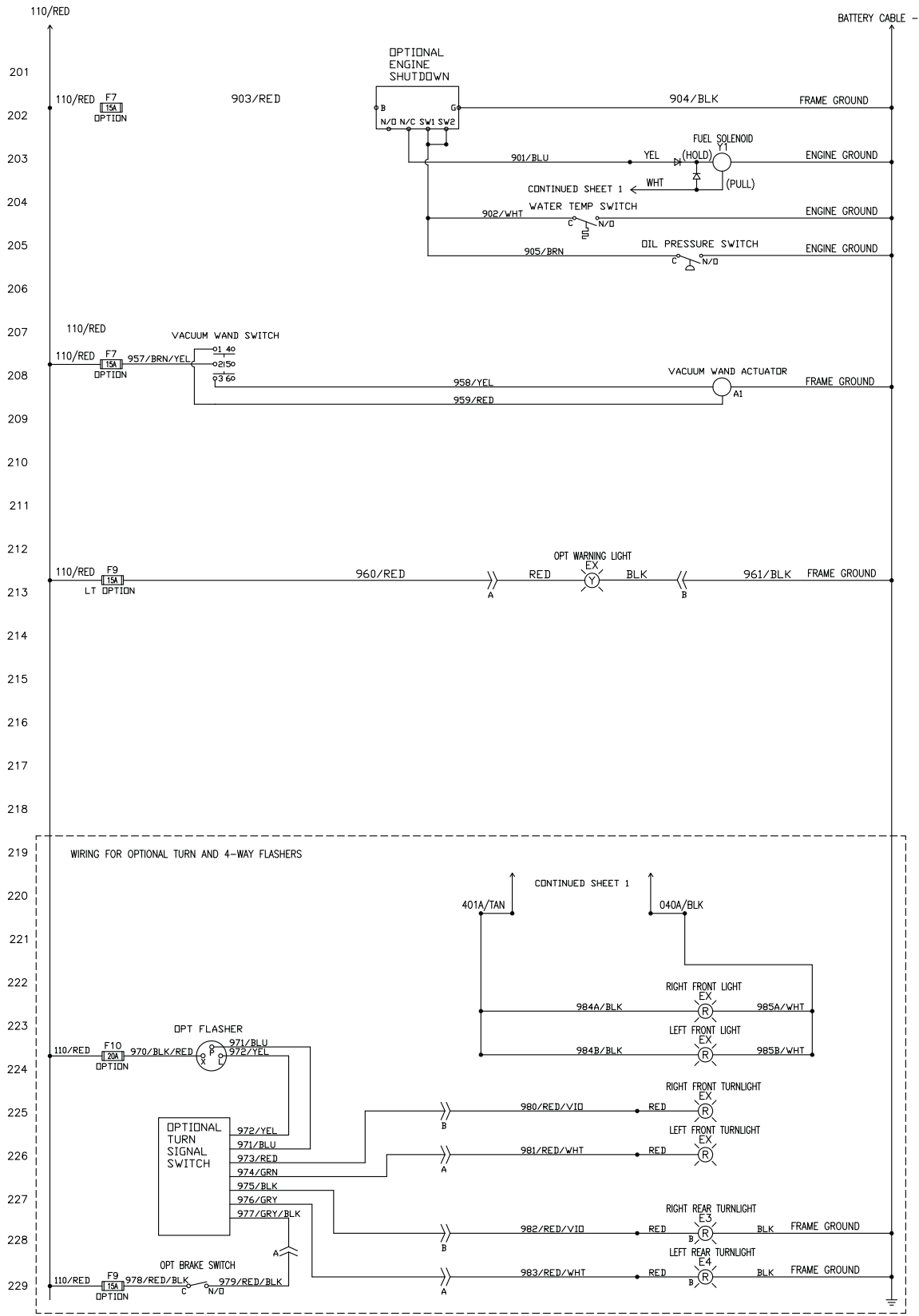
ELECTRICAL SCHEMATIC WITH KUBOTA V1505 - DIESEL



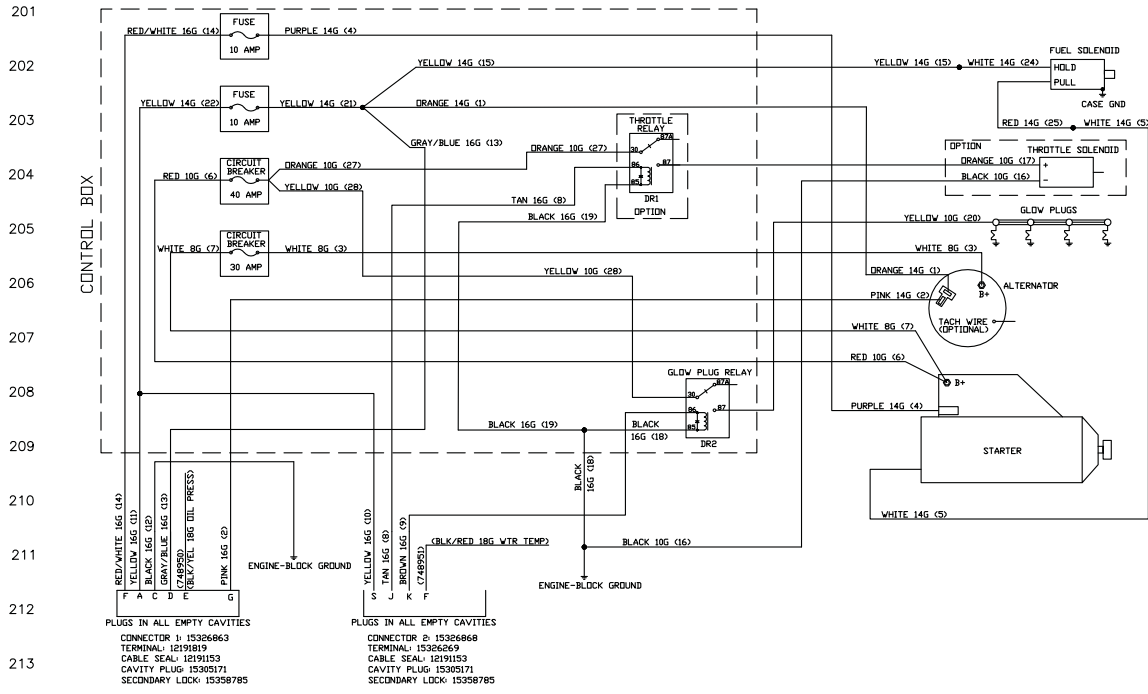
ELECTRICAL SCHEMATIC WITH KUBOTA V1505 - DIESEL



ELECTRICAL SCHEMATIC WITH KUBOTA V1505 - DIESEL

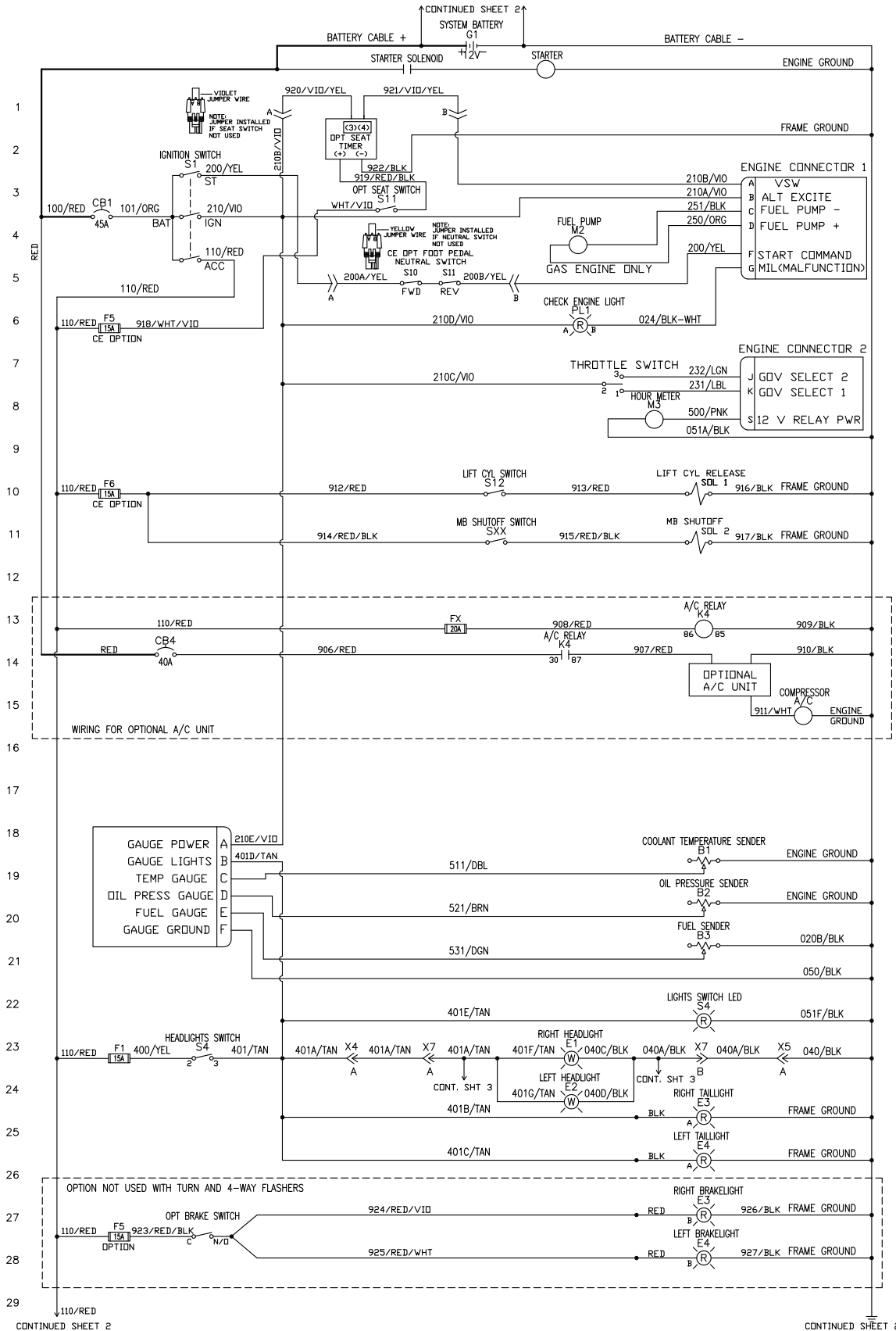


ELECTRICAL SCHEMATIC WITH KUBOTA V1505 - DIESEL

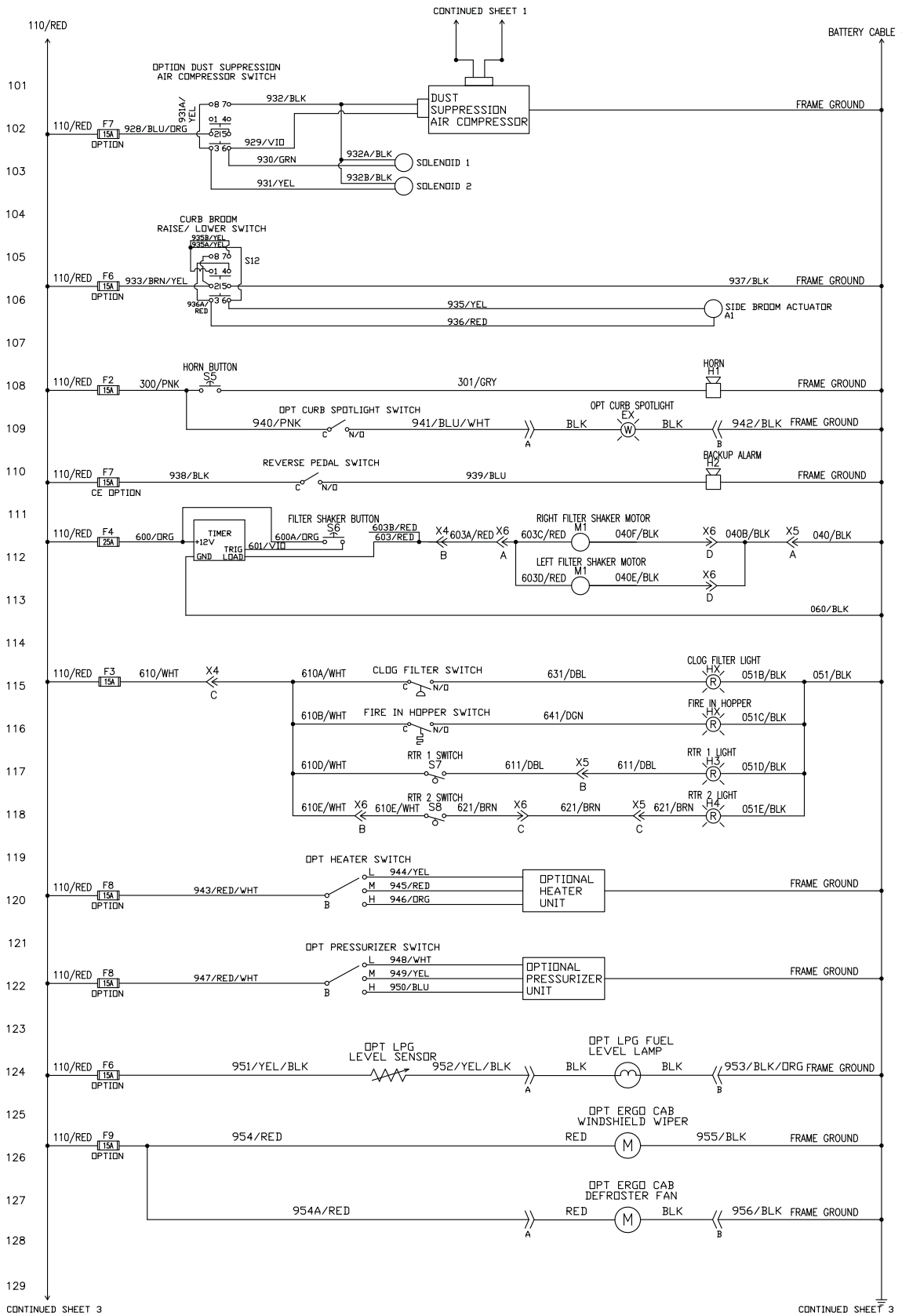


SEE SHEET 1

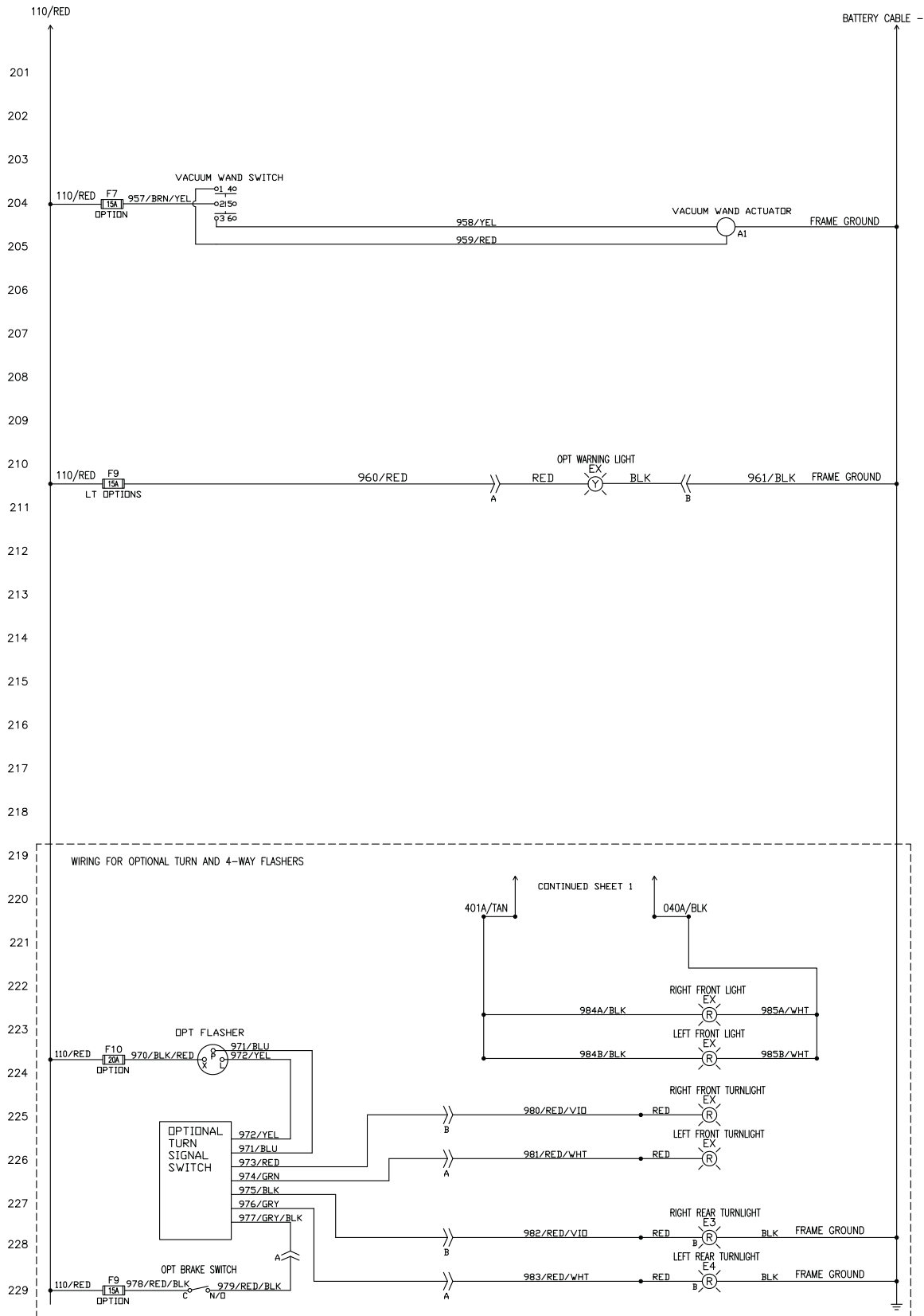
ELECTRICAL SCHEMATIC WITH KUBOTA WG1605 - GAS & LPG



ELECTRICAL SCHEMATIC WITH KUBOTA WG1605 - GAS & LPG



ELECTRICAL SCHEMATIC WITH KUBOTA WG1605 - GAS & LPG



WARRANTY

**Revision K
Effective December 2015
PowerBoss Made Simple Industrial Limited Warranty**

Minuteman International owner of PowerBoss warrants to the original purchaser/user that the product is free from defects in workmanship and materials under normal use. PowerBoss will, at its option, repair or replace without charge, parts that fail under normal use and service when operated and maintained in accordance with the applicable operation and instruction manuals. All warranty claims must be submitted through and approved by factory authorized repair stations.

This warranty does not apply to normal wear, or to items whose life is dependent on their use and care. Parts not manufactured by PowerBoss are covered by and subject to the warranties and/or guarantees of their manufacturers. Please contact Minuteman International for procedures in warranty claims against these manufacturers.

Special warning to purchaser -- Use of replacement parts not manufactured by PowerBoss or its designated licensees, will void all warranties expressed or implied. A potential health hazard exists without original equipment replacement.

All warranted items become the sole property of Minuteman International or PowerBoss or its original manufacturer, whichever the case may be.

PowerBoss disclaims any implied warranty, including the warranty of merchantability and the warranty of fitness for a particular purpose. PowerBoss assumes no responsibility for any special, incidental or consequential damages.

This limited warranty is applicable only in the U.S.A. and Canada, and is extended only to the original user/purchaser of this product. Customers outside the U.S.A. and Canada should contact their local distributor for export warranty policies. PowerBoss is not responsible for costs or repairs performed by persons other than those specifically authorized by PowerBoss. This warranty does not apply to damage from transportation, alterations by unauthorized persons, misuse or abuse of the equipment, use of non-compatible chemicals, or damage to property, or loss of income due to malfunctions of the product. If a difficulty develops with this machine, you should contact the dealer from whom it was purchased.

This warranty gives you specific legal rights, and you may have other rights, which vary from state to state. Some states do not allow the exclusion or limitation of special, incidental or consequential damages, or limitations on how long an implied warranty lasts, so the above exclusions and limitations may not apply to you.

| | Travel * | Labor | Parts | Engine | Extended Warranty | Costs |
|--|----------|-----------|------------------------|---------------------------|---|-------|
| Walk Behind | | | | | | **** |
| Battery Sweepers | 90 Days | 36 months | 36 months | N/A | N/A | - |
| IC Sweepers | 90 Days | 36 months | 36 months | Through Eng. Mfg. | N/A | - |
| Battery Scrubbers | 90 Days | 24 months | 36 months | N/A | N/A | - |
| Riders | | | | | | |
| Battery Scrubbers | 90 Days | 24 months | 36 months or 2000 hr. | N/A | 36 months parts + 24 labor (or 3000 Hours) | 5% |
| IC Sweeper/Scrubbers 82 & 90 | 90 Days | 6 months | 24 months or 2000 hr. | 24 months or 3000 hrs** | 36 months parts + 24 months labor (or 3000 Hours) + 180 days travel | 5% |
| I.C. Sweepers 9X, 10X | 90 days | 6 months | 48 months or 3000 hrs. | 60 months or 3000 hrs** | 48 months parts + 24 months labor (or 3000 Hours) + 180 days travel | 5% |
| NAUTILUS Scrubber | 180 Days | 24 months | 36 months or 2000 hr. | 36 months or 2000 hrs** | 48 months parts + 24 months labor (or 3000 Hours) + 180 days travel | 3% |
| All Rider, I.C. (excluding APEX series) | | | | | Bumper to Bumper 5000 hr max. 48 months parts, 48 months labor, 180 days travel | 8% |
| Exceptions | | | | | | |
| Apex Series Sweeper | 90 Days | 12 months | 12 months or 1000 hr. | 12 months or 1000 hrs** | 24 months parts + 24 months labor (or 2000 Hours) | 5% |
| 6X Sweeper | 90 Days | 6 months | 24 months or 2000 hr. | 24 months or 2000 hours** | 36 months parts + 24 months labor (or 3000 Hours) + 180 day travel | 5% |

Tank Bladders Eight years/ no additional labor Ten years/ no additional labor
Polyethylene plastic tanks 0-3 months full replacement, 4-12 prorated credit
Batteries One-year replacement
Chargers Ninety days from date of purchase
Aftermarket Replacement parts
***Two-Hour Cap Per Service Call**
****Through Engine Manufacturer. See Section 3 of Warranty Manual for Engine Warranty**
Exceptions * Based Upon Dealer's Certification Status:**
Extended Warranty MUST Be Signed Up Within 30 Days of Delivery to End User
(Dealer Has 1Year From Receiving Machine To Sign Up For Extended Warranty)

***All above labor and travel reimbursed at 65% or 75% of the published shop rate.



“The Power of Clean”

**PowerBoss® Is a Full Line Manufacturer of Sweepers and Scrubbers,
for Industrial Facilities.**

PowerBoss®, Minuteman International, Inc. 14N845 U.S. Route 20 Pingree Grove, Illinois 60140

Phone: 800-323-9420 www.PowerBoss.com email: tech@powerboss.com

A Member of the Hako Group